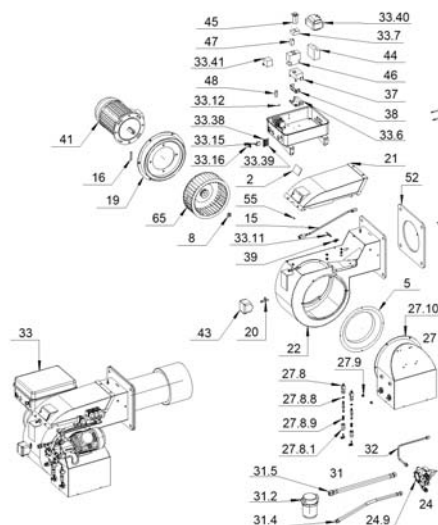




We use cookies to track usage and preferences. / Questo sito utilizza i cookies per finalità di profilazione e navigazione. Accept / Accetta

001054_1H
BURNER LIGHT-OIL_3



Pos.	Code	Descriptions
1	011187	JOINT ELASTIC D39.5
2	011222	FLAME WINDOW
5	021828	CONVEYER Di250x60
8	032554	WASHER FIXING FAN D28
9	032915	JOINT MOTOR SIDE
15	033140	ROD REGULATION COMBUSTION HEAD
16	040252	MOTOR'S CABLE
17	040290	IGNITION CABLE CARBON Sez.1-D7 D6.35-D4
19	052652	SUPPORT MOTOR GR.WELDED
20	052679	ATTACK PRESSURE SWITCH AIR GR.WELDED
21	052773	BURNER'S BODY COVER GR.WELDED
22	052783	BURNER'S BODY GR.WELDED
23	052784	BLAST TUBE GR.WELDED
24	052833	GR.POMP
24.1	033158	JOINT POMP SIDE
24.9	258010	POMP SUNTEC J7-CAC-1001-4P
24.9.1	590001	GASKETS KIT SEAL POMP SUNTEC J-E :993473
25	052939	REGULATION COMBUSTION HEAD GR.WELDED
26	053178	GR.FLAME DISK SUPPORT
26.2	052802	FLAME DISK SUPPORT GR.WELDED
26.3	054137	GR.FLAME DISK
26.4	133224	IGNITION ELECTRODE
27	053908	GR.INLET AIR
27.10	229777	ADHESIVE GASKET 10x5
27.8	052816	GR.HYDRAULIC JACK
27.8.1	031252	HYDRAULIC JACK SLEEVE
27.8.8	229302_2	GASKET DE056 DALMAR - VITON
27.8.9	244204	SPRING TO CYLINDRICAL HELIX 1.4x13.2x52
27.9	220004	BUCKLE FLANGED FB1 D10X12X18X1X9
28	053929	GR.NOZZLES-HOLDER
28.2	051851	GR.SOLENOID VALVE 230V-50:60Hz
28.2.2	132018	GR.MAGNET GM 133.1V-ZB09 230V-50:60Hz

We use cookies to enhance your browsing experience. Accept / Accetta

28.2.2.1	11206	COIL PARKER ZH14 230V-50:60Hz
28.3	052972	NOZZLES-HOLDER GR.WELDED
28.4	132026	SOLENOID VALVE PARKER VE140.4DR-ZH14 1:4P 230V-50:60Hz
28.4.1	111255	COIL PARKER ZH14 230V-50:60Hz
28.6	252005	OR 2015-102 D3.69x1.78-VITON
29	053998	GR.PIPELINE DELIVERY HYDRAULIC JACK 2 STAGE
30	053999	GR.PIPELINE DELIVERY HYDRAULIC JACK 3 STAGE
31	054089	BURNER'S ACCESSORIES
31.2	224509	FILTER GIULIANI 70101-AL 0.1-D1P
31.4	278004	PIPE FLEX DN13-1200 MF 1:2P-1:2P
31.5	278012	PIPE FLEX DN19-1200 MF 1P-3:4P
32	054385	GR.PIPELINE DELIVERY POMP-GR.VALVES
33	060178	BURNER'S ELECTRICAL PANEL 3ac400V-1Nac230V-50Hz
33.11	139107	PHOTORESISTANCE SIEMENS A7G1034415 BLACK L=500
33.12	139220	FUSE IN GLASS D5X20-5A-250V RAPID
33.15	148000	SWITCH ONE POLES TO LEVER
33.16	148009	COVER COMMAND TO LEVER
33.38	183550_2	GREEN LAMP D6 5002724 TB-06R-SU3+LENTE 230VAC-90°C
33.39	183550	RED LAMP D6 5002850 TB-06R-SU3+LENTE 230VAC-90°C
33.40	189023	IGNITION TRANS. COFI TRG1230-D4M 2x6kV 230V-50Hz
33.41	190019	CONTACTOR LOVATO BG0610A230 AC3=2.2KW 230V-50:60Hz
33.6	111001	BASE CONTROL BOX SIEMENS AGK11
33.7	111006	BASE RELAY FINDER 90.26
33.8	118400	SOCKET SHIELD VC1102A00300S (BLACK) (2 POLES+T)
33.9	118417	SOCKET SHIELD VC1202A00300S (GREY) PG9(3 POLI+T)ALTA
34	070034	INSTRUCTIONS LIGHT OIL _3 IT FBR-
35	076021	DECLARATION OF CONFORMITY - IGEFD FBR-
36	078039	ELECTRICAL DIAGRAM BURNER
37	101017_2	CONTROL BOX SIEMENS LMO44.255C2 230V-50:60Hz
37.1	077114	CONTROL BOX INSTRUCTIONS SIEMENS-7130
38	111002	STILL-CABLE CONTROL BOX SIEMENS AGK66
39	111013	BASE FR SIEMENS QRB1
40	158882	MOTOR CIMA MEC 112-B5-2P 5.5KW 230:400V-50:60Hz
41	158906	MOTOR SOGA MEC 80-B3:B14-2P 750W 230:400V-50:60Hz
43	172113_2	PRESSURE SWITCH KROM DG10B-3 1-10mbar
44	176016	RELAY THERMAL LOVATO RF38.1400 (9-14A)
45	187003	TIMER CROUZET OA2R1 0.1s:100h-8A 24:240V-50:60Hz
46	190014_2	CONTACTOR LOVATO BF26.00 A230 230V-50:60Hz
47	190024	CONTACT AUXILIARY LOVATO NA+NC G480-11
48	191342	FILTER RADIONOISE FC710Y2F 0.1uF(X2)+2x4-7nF+2.2MOhm-250V
52	229710	GASKET FLANGE BURNER
55	244233	SPRING TO CYLINDRICAL HELIX 1x6.2x7
65	291069	FAN D315x115 RD HUB D28