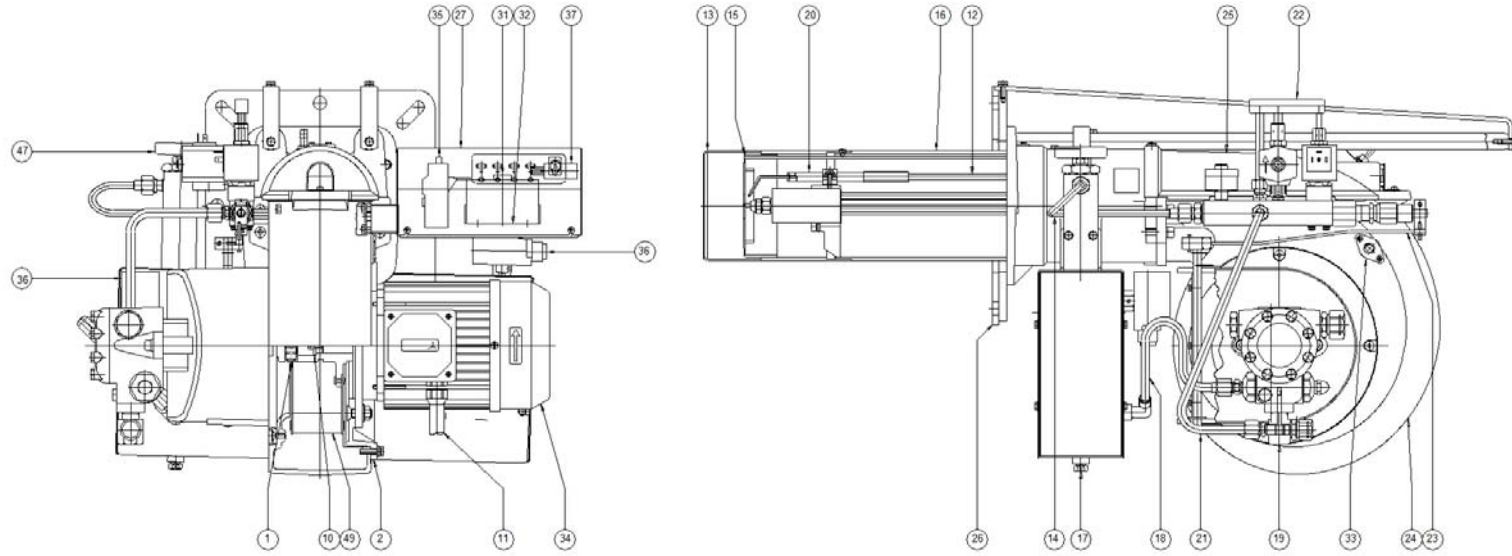


003012_1F

BURNER HEAVY OIL_2



003012_1F

BURNER HEAVY OIL_2

Pos.	Code	Descriptions	Minimun Purchase Quantity
1	011187	JOINT ELASTIC D39.5	1
2	013065	SUPPORT MOTOR	1
10	032276	WASHER FIXING FAN D19	1
11	040153	MOTOR'S CABLE	1
12	040290	IGNITION CABLE CARBON Sez.1-D7 D6.35-D4	1
13	051096	TERMINAL BLAST TUBE GR.WELDED	1
14	051130	PIPELINE DELIVERY TANK-GR.VALVE GR.WELDED	1
15	051135	REGULATION COMBUSTION HEAD GR.WELDED	1
16	051139	BLAST TUBE SUPPORT	1
17	051570	GR.TANK	1
17.10	252007	OR 3300 D75.87x2.62-VITON	1
17.3	021312	SHIELD TANK	1
17.4	051753	TANK GR.WELDED	1
17.5	052131	GR.FILTER HEAVY OIL 0.1	1
17.5.5	252008	OR 3125 D31.42x2.62-VITON	1
17.6	060361	TANK'S ELECTRICAL PANEL	1
17.8	177101	HEATER 220V-1.5KW LR=265	1
17.9	177105	HEATER 220V-1.5KW LR=265	1
18	051757	GR.PIPELINE DELIVERY POMP-TANK	1
19	051817	GR.POMP	1
19.10	258506	POMP SUNTEC E4NA-1001-6P	1
19.10.1	525001	GASKET COVER PUMP SUNTEC E...	1
19.10.2	542006	FILTER POMP SUNTEC E4	1
19.10.3	590001	GASKETS KIT SEAL POMP SUNTEC J-E :993473	1

003012_1F

BURNER HEAVY OIL_2

Pos.	Code	Descriptions	Minimun Purchase Quantity
19.2	032270	JOINT POMP SIDE	1
20	051836	GR.FLAME DISK SUPPORT	1
20.1	013230	FLAME DISK SUPPORT	1
20.3	051515	FLAME DISK GR.WELDED	1
20.4	133232	IGNITION ELECTRODE	1
21	051838	GR.PIPELINE RETURN GR.VALVES-POMP	1
22	051919	GR.NOZZLES-HOLDER 230V-50Hz	1
22.10	053131	PISTON KIT ANTIGAS 4bar	1
22.10.3	053127	GR.PISTON ANTIGAS	1
22.10.5	244207	SPRING TO CYLINDRICAL HELIX 0.8x6.9x31	1
22.10.6	252034	OR S D9.10x1.60-VITON	1
22.11	132021	SOLENOID VALVE PARKER VE120.8AR JB18 230V-50:60Hz	1
22.11.1	111245	COIL PARKER JB18 230V-50:60Hz	1
22.12	132407	SOLENOID VALVE SIRAI L338 M20 Z130A D1.3 230V-50Hz	1
22.12.1	112282	COIL SIRAI Z130A 230V-50Hz	1
22.12.2	132672	BODY SOLENOID VALVE SIRAI L338 M20 S.E.	1
22.15	244000	MANOMETER 0:40 bar:psi D40-M1:8P	1
22.16	252005	OR 2015-102 D3.69x1.78-VITON	1
22.17	252026	OR S D8.90x1.90-VITON	1
22.4	051222	GR.HYDRAULIC JACK	1
22.4.6	244209	SPRING TO CYLINDRICAL HELIX 1.8x14.1x45	1
22.4.7	252006	OR 115-115 D11.91x2.62-VITON	1
22.4.8	252011	OR 2087 D21.95x1.78-VITON	1
22.5	051363	GR.FAUCET ATTACH MANOMETER	1

003012_1F

BURNER HEAVY OIL_2

Pos.	Code	Descriptions	Minimum Purchase Quantity
22.5.3	252019	OR 2025-105 D6.07x1.78-VITON	1
22.7	051812	NOZZLES-HOLDER GR.WELDED	1
22.8	053129	PISTON KIT 1°STAGE	1
22.8.4	244205	SPRING TO CYLINDRICAL HELIX 1.8x9.6x31	1
22.8.5	252025	OR S D11.10x1.60-VITON	1
22.9	053130	PISTON KIT 2°STAGE-3°STAGE	1
22.9.10	252025	OR S D11.10x1.60-VITON	1
22.9.8	244205	SPRING TO CYLINDRICAL HELIX 1.8x9.6x31	1
22.9.9	252010	OR 2043 D10.82x1.78-VITON	1
23	052120	GR.CONNECTING ROD	1
24	053531	GR.BURNER'S BODY	1
24.3.1	013217	FLANGE BLAST TUBE	1
25	053559	GR.BURNER'S BODY COVER	1
25.3	274000	GR.FLAME WINDOW	1
26	054232	BURNER'S ACCESSORIES	1
26.10	252007	OR 3300 D75.87x2.62-VITON	1
26.11	252008	OR 3125 D31.42x2.62-VITON	1
26.12	252034	OR S D9.10x1.60-VITON	1
26.13	278012	PIPE FLEX DN19-1200 MF 1P-3:4P	1
26.14	278023	PIPE FLEX R6 PLAITED DN13-1200 MF 1:2P-1:2P	1
26.2	225000_2	FILTER FAG 20301-30-AL 0.3-D1P	2
26.2.1	225014	HEATER FAG 20301-30 0.3	1
26.5	229701_2	GASKET FLANGE BURNER EN...	2
26.8	252005	OR 2015-102 D3.69x1.78-VITON	1

003012_1F

BURNER HEAVY OIL_2

Pos.	Code	Descriptions	Minimum Purchase Quantity
26.9	252006	OR 115-115 D11.91x2.62-VITON	1
27	060092	BURNER'S ELECTRICAL PANEL 3Nac400:230V-1Nac230V-50Hz	1
27.1	011282	TRANSPARENT COVER - CONTROL BOX RELEASE	1
27.10	118400	SOCKET SHIELD VC1102A00300S (BLACK) (2 POLES+T)	1
27.11	118417	SOCKET SHIELD VC1202A00300S (GREY) PG9(3 POLI+T)ALTA	1
27.12	139107	PHOTORESISTANCE SIEMENS A7G1034415 BLACK L=500	1
27.13	139220	FUSE IN GLASS D5X20-5A-250V RAPID	1
27.14	148000	SWITCH ONE POLES TO LEVER	1
27.15	148009	COVER COMMAND TO LEVER	1
27.3	021307	COVER WIRING	1
27.31	183550_2	GREEN LAMP D6 5002724 TB-06R-SU3+LENTE 230VAC-90°C	2
27.32	186008	CONTACTOR LOVATO BF12.10 A230 230V-50:60Hz	1
27.33	189023	IGNITION TRANS. COFI TRG1230-D4M 2x6kV 230V-50Hz	1
27.34	190008	CONTACTOR DANFOSS CI12-037 H4032-32 230V-50:60Hz	1
27.9	111001	BASE CONTROL BOX SIEMENS AGK11	1
28	072005	INSTRUCTIONS HEAVY OIL_2 IT FBR-	1
29	076024	DECLARATION OF INDUSTRIAL CONFORMITY - IGEFD FBR-	1
30	078048	ELECTRICAL DIAGRAM BURNER	1
31	101010_2	CONTROL BOX SIEMENS LOA24.171B2FB 230V-50:60Hz	2
31.1	077048	CONTROL BOX INSTRUCTIONS SIEMENS-N7118	1
32	111002	STILL-CABLE CONTROL BOX SIEMENS AGK66	1
33	111013	BASE FR SIEMENS QRB1	1
34	158857	MOTOR SOGA MEC 80-B5-2P 750W 230:400V-50:60Hz	1
35	176012	RELAY THERMAL LOVATO RF38.0250 (1.6-2.5A)	1

003012_1F

BURNER HEAVY OIL_2

Pos.	Code	Descriptions	Minimun Purchase Quantity
36	191204	THERMOSTAT IMIT 542422 TC2 0-160°C	1
37	191342	FILTER RADIONOISE FC710Y2F 0.1uF(X2)+2x4-7nF+2.2MOhm-250V	1
47	279100	THERMOMETER TB 63 0-200°C	1
49	291058	FAN (BOSCHINI) D215x63 RS HUB D19-CH013229	1