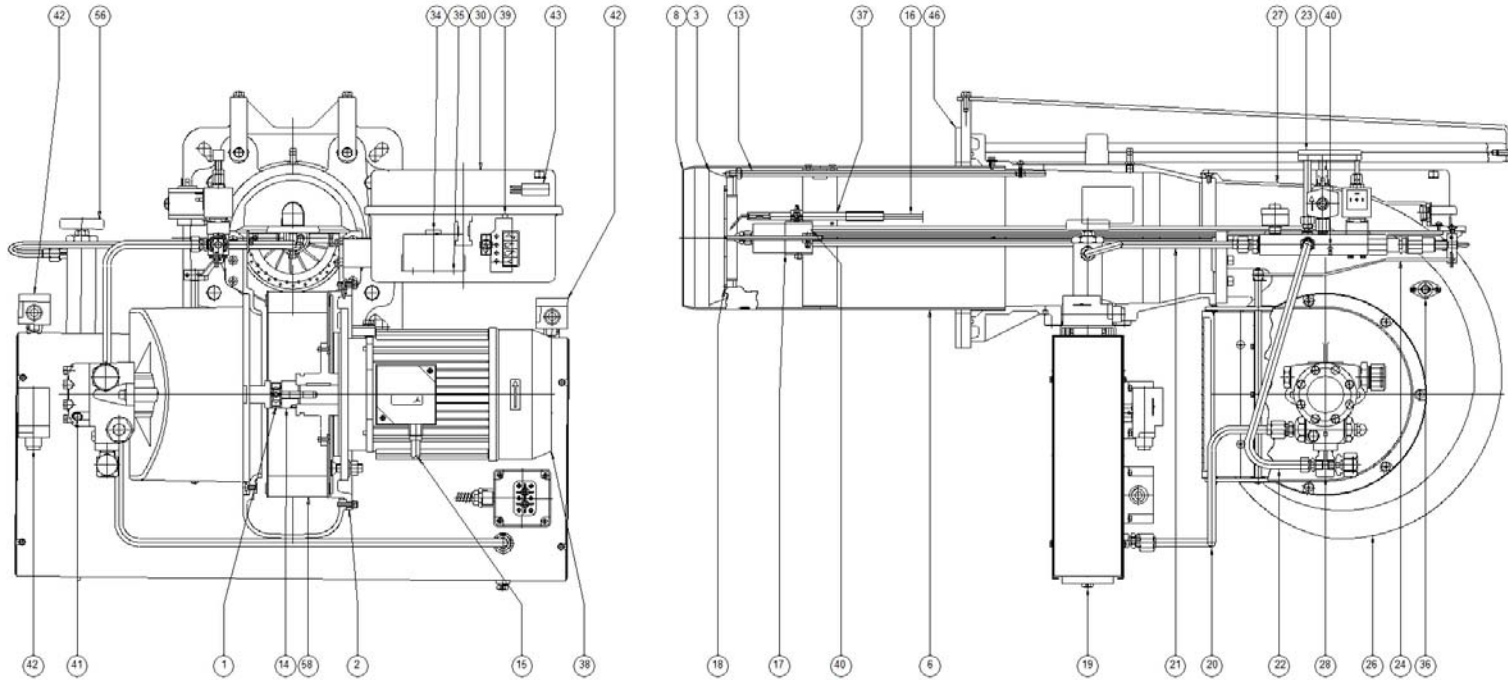


003054_1C

BURNER HEAVY OIL_2
FNDP 125/2



003054_1C

BURNER HEAVY OIL_2

Pos.	Code	Descriptions	Minimum Purchase Quantity
1	011187	JOINT ELASTIC D39.5	1
2	013068	SUPPORT MOTOR	1
3	013070	RING REGULATION COMBUSTION HEAD	1
6	021051	BLAST TUBE SUPPORT	1
8	021273	TERMINAL BLAST TUBE	1
13	031445	ROD REGULATION COMBUSTION HEAD	1
14	031573	JOINT MOTOR SIDE	1
15	040127	MOTOR'S CABLE	1
16	040291	IGNITION CABLE CARBON Sez.1-D7 D6.35-D4	1
17	051065	FLAME DISK SUPPORT GR.WELDED	1
18	051495	FLAME DISK GR.WELDED	1
19	051603	GR.TANK	1
19.10	177106	HEATER 220V-2KW LR=340	1
19.11	252007	OR 3300 D75.87x2.62-VITON	1
19.2	021217	SHIELD TANK	1
19.4	051120	TANK GR.WELDED	1
19.5	051801	GR.FILTER HEAVY OIL 0.2	1
19.5.5	252008	OR 3125 D31.42x2.62-VITON	1
19.6	060358	TANK'S ELECTRICAL PANEL	1
19.8	177102	HEATER 220V-2KW LR=340	1
19.9	177105	HEATER 220V-1.5KW LR=265	1
20	051681	GR.PIPELINE DELIVERY POMP-TANK	1
21	051682	PIPELINE DELIVERY TANK-GR.VALVE GR.WELDED	1
22	051683	GR.PIPELINE RETURN GR.VALVES-POMP	1

003054_1C

BURNER HEAVY OIL_2

Pos.	Code	Descriptions	Minimum Purchase Quantity
23	051921	GR.NOZZLES-HOLDER 230V-50Hz	1
23.10	053131	PISTON KIT ANTIGAS 4bar	1
23.10.3	053127	GR.PISTON ANTIGAS	1
23.10.5	244207	SPRING TO CYLINDRICAL HELIX 0.8x6.9x31	1
23.10.6	252034	OR S D9.10x1.60-VITON	1
23.11	132021	SOLENOID VALVE PARKER VE120.8AR JB18 230V-50:60Hz	1
23.11.1	111245	COIL PARKER JB18 230V-50:60Hz	1
23.12	132407	SOLENOID VALVE SIRAI L338 M20 Z130A D1.3 230V-50Hz	1
23.12.1	112282	COIL SIRAI Z130A 230V-50Hz	1
23.12.2	132672	BODY SOLENOID VALVE SIRAI L338 M20 S.E.	1
23.15	244000	MANOMETER 0:40 bar:psi D40-M1:8P	1
23.16	252005	OR 2015-102 D3.69x1.78-VITON	1
23.17	252026	OR S D8.90x1.90-VITON	1
23.4	051222	GR.HYDRAULIC JACK	1
23.4.6	244209	SPRING TO CYLINDRICAL HELIX 1.8x14.1x45	1
23.4.7	252006	OR 115-115 D11.91x2.62-VITON	1
23.4.8	252011	OR 2087 D21.95x1.78-VITON	1
23.5	051363	GR.FAUCET ATTACH MANOMETER	1
23.5.3	252019	OR 2025-105 D6.07x1.78-VITON	1
23.7	051871	NOZZLES-HOLDER GR.WELDED	1
23.8	053129	PISTON KIT 1°STAGE	1
23.8.4	244205	SPRING TO CYLINDRICAL HELIX 1.8x9.6x31	1
23.8.5	252025	OR S D11.10x1.60-VITON	1
23.9	053130	PISTON KIT 2°STAGE-3°STAGE	1

003054_1C

BURNER HEAVY OIL_2

Pos.	Code	Descriptions	Minimum Purchase Quantity
23.9.10	252025	OR S D11.10x1.60-VITON	1
23.9.8	244205	SPRING TO CYLINDRICAL HELIX 1.8x9.6x31	1
23.9.9	252010	OR 2043 D10.82x1.78-VITON	1
24	052128_2	GR.CONNECTING ROD (BURNER'S BODY+SMALL NET)	2
26	053547	GR.BURNER'S BODY	1
26.1.8	220004	BUCKLE FLANGED FB1 D10X12X18X1X9	1
26.2.1	013205	FLANGE BLAST TUBE	1
27	053561	GR.BURNER'S BODY COVER	1
27.3	274000	GR.FLAME WINDOW	1
28	053984	GR.POMP	1
28.10	258503	POMP SUNTEC E6NA-1070-7P	1
28.10.1	525001	GASKET COVER PUMP SUNTEC E...	1
28.10.2	542006	FILTER POMP SUNTEC E4	1
28.10.4	590007	GASKET SHAFT POMP SUNTEC E 1069-1070	1
28.3	032441	JOINT POMP SIDE	1
29	054115	BURNER'S ACCESSORIES FBR	1
29.10	252008	OR 3125 D31.42x2.62-VITON	1
29.11	252011	OR 2087 D21.95x1.78-VITON	1
29.12	252025	OR S D11.10x1.60-VITON	1
29.13	252034	OR S D9.10x1.60-VITON	1
29.14	278024	PIPE FLEX R6 PLAITED DN19-1500 MF 1P-3:4P	1
29.15	278025	PIPE FLEX R6 PLAITED DN25-1500 MF 1P-1P	1
29.2	225010	FILTER 20451V30 220V 300W 1"	1
29.2.1	224554	HEATER FAG COD.:20401-C3	1

003054_1C

BURNER HEAVY OIL_2

Pos.	Code	Descriptions	Minimum Purchase Quantity
29.7	252005	OR 2015-102 D3.69x1.78-VITON	1
29.8	252006	OR 115-115 D11.91x2.62-VITON	1
29.9	252007	OR 3300 D75.87x2.62-VITON	1
30	060159	BURNER'S ELECTRICAL PANEL 3ac400V-1Nac230V-50Hz	1
30.10	139220	FUSE IN GLASS D5X20-5A-250V RAPID	1
30.13	148000	SWITCH ONE POLES TO LEVER	1
30.14	148009	COVER COMMAND TO LEVER	1
30.31	183550_2	GREEN LAMP D6 5002724 TB-06R-SU3+LENTE 230VAC-90°C	2
30.32	183550	RED LAMP D6 5002850 TB-06R-SU3+LENTE 230VAC-90°C	1
30.33	189023	IGNITION TRANS. COFI TRG1230-D4M 2x6kV 230V-50Hz	1
30.34	190006_2	CONTACTOR LOVATO BF18.T4 A230 230V-50:60Hz	2
30.5	111001	BASE CONTROL BOX SIEMENS AGK11	1
30.6	118400	SOCKET SHIELD VC1102A00300S (BLACK) (2 POLES+T)	1
30.7	118417	SOCKET SHIELD VC1202A00300S (GREY) PG9(3 POLI+T)ALTA	1
30.9	139107	PHOTORESISTANCE SIEMENS A7G1034415 BLACK L=500	1
31	072006	INSTRUCTIONS HEAVY OIL_2 IT FBR-	1
32	076024	DECLARATION OF INDUSTRIAL CONFORMITY - IGEFD FBR-	1
33	078051_2	ELECTRICAL DIAGRAM BURNER	2
34	101017_2	CONTROL BOX SIEMENS LMO44.255C2 230V-50:60Hz	2
34.1	077114	CONTROL BOX INSTRUCTIONS SIEMENS-7130	1
35	111002	STILL-CABLE CONTROL BOX SIEMENS AGK66	1
36	111013	BASE FR SIEMENS QRB1	1
37	133229	IGNITION ELECTRODE	1
38	158861	MOTOR SOGA MEC 100-B5-2P 3KW 230:400V-50:60Hz	1

003054_1C

BURNER HEAVY OIL_2

Pos.	Code	Descriptions	Minimum Purchase Quantity
39	176015	RELAY THERMAL LOVATO RF38.1000 (6.3-10A)	1
40	177127	HEATER 220V-30W D6.5-LR=38-L=2400	1
41	177129	HEATER 220V-50W D12-LR=50-L=200	1
42	191204	THERMOSTAT IMIT 542422 TC2 0-160°C	1
43	191342	FILTER RADIONOISE FC710Y2F 0.1uF(X2)+2x4-7nF+2.2MOhm-250V	1
46	229702	GASKET FLANGE BURNER	1
56	279100	THERMOMETER TB 63 0-200°C	1
58	291078_2	FAN D300x90 RS HUB D28	2
58.1	291039_2	FAN (VECO) D300x90 RS HUB D28-CH	2