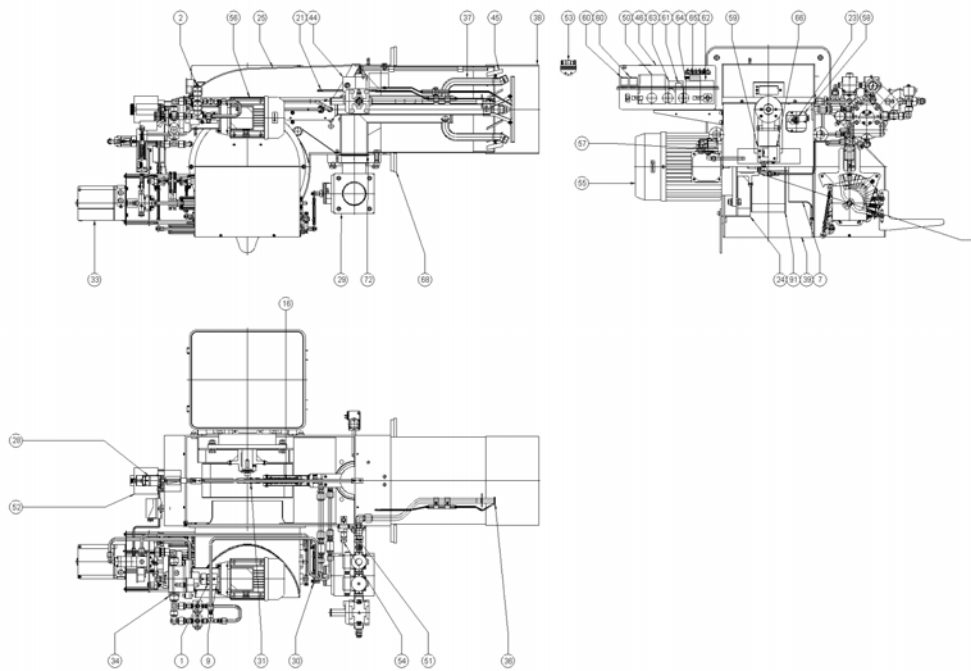




004139\_1H  
DUAL FUEL BURNER\_M P



Code Descriptions

Minimum Purchase Quantity

Code	Descriptions	Minimum Purchase Quantity
1	011187 JOINT ELASTIC D39.5	1
2	011222 FLAME WINDOW	1
7	022249 CONVEYER Di263x90	1
9	032915 JOINT MOTOR SIDE	1
15	033135 WASHER FIXING FAN D38	1
16	033166 ROD REGULATION COMBUSTION HEAD	1
21	040294 IGNITION CABLE CARBON Sez.1-D7 D6.35-D4	1
23	052679 ATTACK PRESSURE SWITCH AIR GR.WELDED	1
24	052789 SUPPORT MOTOR GR.WELDED	1
25	052790 BURNER'S BODY COVER GR.WELDED	1
28	053018 GR.NUCLEUS NOZZLES-HOLDER	1
29	053341 GR.MODULATION	1

29.10	252040	GASKET RING DPSM 12287	1
29.11	252048	OR	1
29.12	252052	OR	1
29.8	220007	BEARING	1
29.9	252037	OR 3175 D44.12x2.62-VITON	1
30	053355	GR.CONNECTING	1
31	053468	GR.JOINT NUCLEUS-NOZZLE-HOLDER	1
32	054132	BURNER'S ACCESSORIES	1
32.1	224509	FILTER GIULIANI 70101-AL 0.1-D1P	1
32.4	278004	PIPE FLEX DN13-1200 MF 1:2P-1:2P	1
32.5	278007	PIPE FLEX DN25-1500 MF 1P-1P	1
33	055012_2	GR.INLET AIR	2
33.10	032630	ECCENTRIC	1
33.23	033891	JOINT SERVOMOTOR D12-CH	1
33.24	034080	PIVOT SPRING'S TENSION	1
33.31	053110	GR.LEVER	1
33.31.6	220001	BEARING SKF 625-2Z	1
33.31.7	220008	BUCKLE CYLINDRICAL BRONZE D12X18X25	1
33.31.8	244205	SPRING TO CYLINDRICAL HELIX 1.8x9.6x31	1
33.32	053125	GR.SECTOR	1
33.32.2	021878	CAMS VARIABLE	2
33.34	053343	GR.LEVER	1
33.34.6	220001	BEARING SKF 625-2Z	1
33.34.7	220008	BUCKLE CYLINDRICAL BRONZE D12X18X25	1
33.34.8	244205	SPRING TO CYLINDRICAL HELIX 1.8x9.6x31	1
33.35	053349	GR.CONNECTING	1
33.36	053350	GR.CONNECTING	1
33.37	053354	GR.CONNECTING ROD	1
33.38	053356	GR.SECTOR	1
33.38.2	021878	CAMS VARIABLE	2
33.39	055018_2	GR.REGULATOR OF PRESSURE	2
33.39.13	051363	GR.FAUCET ATTACH MANOMETER	1
33.39.13.3	252019	OR 2025-105 D6.07x1.78-VITON	1
33.39.14	054222	GR.PISTON NO RETURN VALVE	1
33.39.16	220002	BEARING SKF 6001-2RS	1
33.39.18	244002	MANOMETER GLYCERINE INDRA 0:40 bar D50-M1:8P	1
33.39.19	244207	SPRING TO CYLINDRICAL HELIX 0.8x6.9x31	1
33.39.2	032628	BUCKLE FOR BEARING	1
33.39.20	244225	SPRING TO CYLINDRICAL HELIX 2.5x12.7x41	1
33.39.21	252006	OR 115-115 D11.91x2.62-VITON	1
33.39.22	252035	OR 3112 D28.25x2.62-VITON	1
33.39.5.1	220011	BUCKLE CYLINDRICAL BRONZE D12X15X12	1
33.40	183646	SERVOMOTOR	1
33.43	220003	BEARING SKF 6005-2Z	1
33.44	220004	BUCKLE FLANGED FB1 D10X12X18X1X9	1
33.45	220007	BEARING	1
33.46	220013	BEARING SKF 6200-2Z	1
33.47	229777	ADHESIVE GASKET 10x5	1
33.48	244506	SPRING LOOSE RECOVERY 1x7.8x81.6	1
33.7	031209	PIVOT SHOVEL	1
34	055021_2	GR.POMP	2
34.12	244002	MANOMETER GLYCERINE INDRA 0:40 bar D50-M1:8P	1
34.15	258528	PUMP SUNTEC TA4C-4010-7	1
34.15.1	229780	GASKETS KIT SEAL POMP SUNTEC TA-REV.2:5 :2014462	1
34.2	033112	JOINT POMP SIDE	1
34.3	051363	GR.FAUCET ATTACH MANOMETER	1
34.3.3	252019	OR 2025-105 D6.07x1.78-VITON	1
34.5	132026	SOLENOID VALVE PARKER VE140.4DR-ZH14 1:4P 230V-50:60Hz	1
34.5.1	111255	COIL PARKER ZH14 230V-50:60Hz	1
36	055304	PILOT FLAME IGNITION GROUP	1
36.3	133952	IGNITION ELECTRODE	1
36.3.2	133063	INSULATOR ELECTRODE	1
37	055310	KIT COMBUSTION HEAD	1
37.2	055295	COMBUSTION HEAD GR.WELDED	1
37.4	055309	GR.NOZZLE-HOLDER	1

37.4.12	244224	SPRING TO CYLINDRICAL HELIX 3.2x23.2x140	1
37.4.13	252027	OR 119 D15.08x2.62-VITON	1
37.4.14	252054	OR D6x3-VITON	1
37.4.5.1	220015	BUCKLE CYLINDRICAL BRONZE D14X18X18	1
37.4.9	055308	NOZZLE-HOLDER GR.WELDED	1
37.5	055333	GR.FLAME DISK SUPPORT	1
37.5.1	055306	FLAME DISK SUPPORT GR.WELDED	1
37.5.2	055332	FLAME DISK GR.WELDED	1
37.6	133951	IGNITION ELECTRODE	1
37.6.2	133063	INSULATOR ELECTRODE	1
38	055311	BLAST TUBE GR.WELDED	1
39	055312	BURNER'S BODY GR.WELDED	1
44	055369	GAS TRAIN CE P D1:2P-FS15 230V-50:60Hz	1
44.1	133026	SOLENOID VALVE HONEYWELL EV15-VE4015A 230V-50:60Hz	1
44.1.1	033529	WASHER COIL HONEYWELL D20(VQ-VE4015A-20A-25A)	1
44.1.2	111231_2	COIL HONEYWELL BB152301(VE4015) 230V-50:60Hz	2
44.1.2.1	183100	CARD HONEYWELL-CS020070 VQ-VE.10-25 230V-50:60Hz	1
44.2	133041	SOLENOID VALVE HONEYWELL EVR15-VE4015B 230V-50:60Hz	1
44.2.1	111231_2	COIL HONEYWELL BB152301(VE4015) 230V-50:60Hz	2
44.2.1.1	183100	CARD HONEYWELL-CS020070 VQ-VE.10-25 230V-50:60Hz	1
44.4	224532_2	GESTIRE_1 FILTRO STAB.MADAS FRG-2MTE 1/2"	2
45	055591	REGULATION COMBUSTION HEAD GR.WELDED	1
46	060389_3	BURNER'S ELECTRICAL PANEL 3ac400V-1Nac230V-50Hz	3
46.10	118433	PLUG ILME IL CKF04	1
46.11	118438	PLUG TEKNOALFA (6 POLES.T)	1
46.12	118450	SOCKET	1
46.14	139220	FUSE IN GLASS D5X20-5A-250V RAPID	1
46.17	148000	SWITCH ONE POLES TO LEVER	1
46.18	148004	SWITCH TWO POLES TO LEVER	1
46.19	148009	COVER COMMAND TO LEVER	1
46.35	183551_2	LAMP D6 SHORT GREEN 24001703OT 230VAC-90°C	2
46.36	183551	LAMP D6 SHORT RED 24001001OT 230VAC-90°C	1
46.37	189023	IGNITION TRANS. COFI TRG1230-D4M 2x6kV 230V-50Hz	1
46.38	191341_3	IGNITION	3
46.7	111005	BASE CONTROL BOX SIEMENS LFL.. AGM410.490.550	1
46.8	111017	BASE RELAY FINDER 94.74	1
46.9	118432	CASE ILME IL CK03VGS	1
47	073513	DUAL FUEL INSTRUCTIONS _2 IT FBR-	1
48	076027	DECLARATION OF INDUSTRIAL CONFORMITY - IGEFD FBR-	1
49	078246_3	ELECTRICAL DIAGRAM BURNER	3
50	104005_2	CONTROL	2
50.1	077054	CONTROL BOX INSTRUCTIONS SIEMENS-N7451	1
51	111275	BASE	1
52	112278	COIL ELEK.-1930.1415-VL 230V-50:60Hz	1
53	118437	PLUG TEKNOALFA (6 POLES.T)	1
54	139120	PHOTOELECTRIC	1
55	158112	MOTOR FIMEC MEC 132-B5-2P 9KW 400:690V-50Hz	1
56	158905	MOTOR SOGA MEC 80-B3:B14-2P 2.2KW 230:400V-50:60Hz	1
57	172111_2	PRESSURE	2
58	172113_2	PRESSURE SWITCH KROM DG10B-3 1-10mbar	2
59	172741	PRESSURE SWITCH DANFOSS-060-536566 KP35 Gc1:4P-0.2:7.5bar	1
60	176003	RELAY FINDER 55.34-8.230.0054 7A-250V-230V	1
61	176014	RELAY THERMAL LOVATO RF38.0650 (4-6.5A)	1
62	176018	RELAY THERMAL LOVATO RF38.2300 (17-23A)	1
63	186008	CONTACTOR LOVATO BF12.10 A230 230V-50:60Hz	1
64	190015_2	CONTACTOR LOVATO BF38.00 A230 230V-50:60Hz	2
65	191342	FILTER RADIONOISE FC710Y2F 0.1uF(X2)+2x4-7nF+2.2M0hm-250V	1
66	195054	COVER PRESSURE SWITCH KP..DANFOSS-060-1097 IP44	1
68	229716	GASKET FLANGE BURNER	1
72	252048	OR	1
91	291084	FAN D340x130 RD HUB D38	1