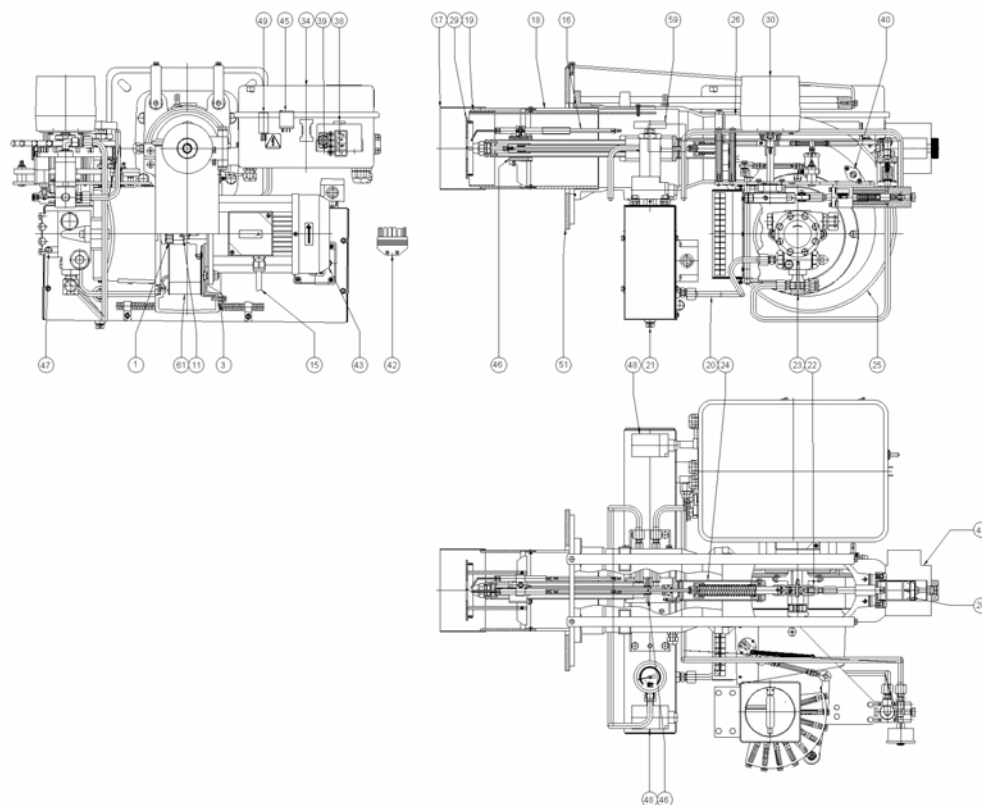




FNDP 70/M
BURNER HEAVY OIL_M



	Code	Descriptions	Minimun Purchase Quantity
1	011187	JOINT ELASTIC D39.5	1
3	013065	SUPPORT MOTOR	1
11	032276	WASHER FIXING FAN D19	1
15	040153	MOTOR'S CABLE	1
16	040294	IGNITION CABLE CARBON Sez.1-D7 D6.35-D4	1
17	051124	TERMINAL BLAST TUBE GR.WELDED	1
18	051270	BLAST TUBE SUPPORT	1
19	051552	REGULATION COMBUSTION HEAD GR.WELDED	1
20	051804	GR.PIPELINE DELIVERY POMP-TANK	1
21	051824	GR.TANK	1
21.10	177116	HEATER 220V-1.85KW LR=200	1
21.11	252007	OR 3300 D75.87x2.62-VITON	1
21.2	021344	SHIELD TANK	1
21.4	051754	TANK GR.WELDED	1
21.5	051801	GR.FILTER HEAVY OIL 0.2	1

21.5.5	252008	OR 3125 D31.42x2.62-VITON	1
21.6	060364	TANK'S ELECTRICAL PANEL	1
21.9	177115	HEATER 220V-1.85KW LR=200	1
22	053468	GR.JOINT NUCLEUS-NOZZLE-HOLDER	1
23	053717_2	PUMPS GROUP	2
23.2	032270	JOINT POMP SIDE	1
23.9	258503	POMP SUNTEC E6NA-1070-7P	1
23.9.1	525001	GASKET COVER PUMP SUNTEC E...	1
23.9.2	542006	FILTER POMP SUNTEC E4	1
23.9.4	590007	GASKET SHAFT POMP SUNTEC E 1069-1070	1
24	053859	GR.NOZZLE-HOLDER	1
24.10	244224	SPRING TO CYLINDRICAL HELIX 3.2x23.2x140	1
24.11	252027	OR 119 D15.08x2.62-VITON	1
24.12	252054	OR D6x3-VITON	1
24.5.1	220015	BUCKLE CYLINDRICAL BRONZE D14X18X18	1
24.9	053858	NOZZLE-HOLDER GR.WELDED	1
25	054991	GR.BURNER'S BODY	1
25.3.1	013530	FLANGE BLAST TUBE	1
25.4.6	220004	BUCKLE FLANGED FB1 D10X12X18X1X9	1
26	055014	GR.BURNER'S BODY COVER	1
26.1	053559	GR.BURNER'S BODY COVER	1
26.1.3	274000	GR.FLAME WINDOW	1
28	055044	GR.NUCLEUS NOZZLES-HOLDER	1
29	055049	GR.FLAME DISK SUPPORT	1
29.1	013266	FLAME DISK SUPPORT	1
29.5	133232	IGNITION ELECTRODE	1
30	055055	GR.MODULATION HEAVY OIL	1
30.11	033657	JOINT SERVOMOTOR	1
30.12	034080	PIVOT SPRING'S TENSION	1
30.14	034253	PIVOT SPRING'S TENSION	1
30.15	053110	GR.LEVER	1
30.15.6	220001	BEARING SKF 625-2Z	1
30.15.7	220008	BUCKLE CYLINDRICAL BRONZE D12X18X25	1
30.15.8	244205	SPRING TO CYLINDRICAL HELIX 1.8x9.6x31	1
30.16	053471	GR.SECTOR CAMS	1
30.16.2	021878	CAMS VARIABLE	2
30.17	054117	GR.SERVOMOTOR SIEMENS SQL 33.03 230V-50:60Hz	1
30.17.2	183309	SERVOMOTOR SIEMENS SQL 33.03 230V-50:60Hz	1
30.17.3	183311	CONTACT AUXILIARY SIEMENS ASC 9.5	1
30.18	054583	GR.CONNECTING ROD	1
30.19	055053	GR.REGULATOR OF PRESSURE	1
30.19.13	051363	GR.FAUCET ATTACH MANOMETER	1
30.19.13.3	252019	OR 2025-105 D6.07x1.78-VITON	1
30.19.14	054222	GR.PISTON NO RETURN VALVE	1
30.19.16	220002	BEARING SKF 6001-2RS	1
30.19.18	244002	MANOMETER GLYCERINE INDRA 0:40 bar D50-M1:8P	1
30.19.19	244207	SPRING TO CYLINDRICAL HELIX 0.8x6.9x31	1
30.19.2	032628	BUCKLE FOR BEARING	1
30.19.20	244225	SPRING TO CYLINDRICAL HELIX 2.5x12.7x41	1
30.19.21	252006	OR 115-115 D11.91x2.62-VITON	1
30.19.22	252035	OR 3112 D28.25x2.62-VITON	1
30.19.5.1	220011	BUCKLE CYLINDRICAL BRONZE D12X15X12	1
30.21	220003	BEARING SKF 6005-2Z	1
30.22	244506	SPRING LOOSE RECOVERY 1x7.8x81.6	1
30.5	031209	PIVOT SHOVEL	1
30.8	032630	ECCENTRIC	1
33	055067	BURNER'S ACCESSORIES	1
33.1	055380	TANK NOT-FIZZY GR.	1
33.1.1	054653	TANK NOT-FIZZY GR.WELDED	1
33.1.2	072018	INSTRUCTIONS HEAVY OIL _M IGEF	1
33.1.3	177349	HEATER 70°C 300W D1P1:4 230V-50:60Hz	1
33.10	252007	OR 3300 D75.87x2.62-VITON	1
33.11	252008	OR 3125 D31.42x2.62-VITON	1
33.12	252027	OR 119 D15.08x2.62-VITON	1
33.13	252054	OR D6x3-VITON	1
33.14	278023	PIPE FLEX R6 PLAITED DN13-1200 MF 1:2P-1:2P	1
33.15	278024	PIPE FLEX R6 PLAITED DN19-1500 MF 1P-3:4P	1
33.2	225010	FILTER 20451V30 220V 300W 1"	1
33.2.1	224554	HEATER FAG COD.:20401-C3	1
33.9	252006	OR 115-115 D11.91x2.62-VITON	1
34	060395	BURNER'S ELECTRICAL PANEL 3Nac400:230V-1Nac230V-50Hz	1
34.10	139107	PHOTORESISTANCE SIEMENS A7G1034415 BLACK L=500	1
34.11	139220	FUSE IN GLASS D5X20-5A-250V RAPID	1

34.13	148000	SWITCH ONE POLES TO LEVER	1
34.14	148009	COVER COMMAND TO LEVER	1
34.32	176013	RELAY THERMAL LOVATO RF38.0400 (2.5-4A)	1
34.33	183550_2	GREEN LAMP D6 5002724 TB-06R-SU3+LENTE 230VAC-90°C	2
34.34	183550	RED LAMP D6 5002850 TB-06R-SU3+LENTE 230VAC-90°C	1
34.35	186008	CONTACTOR LOVATO BF12.10 A230 230V-50:60Hz	1
34.36	189023	IGNITION TRANS. COFI TRG1230-D4M 2x6kV 230V-50Hz	1
34.37	190006_2	CONTACTOR LOVATO BF18.T4 A230 230V-50:60Hz	2
34.38	190024_2	CONTACT AUXILIARY LOVATO BFX10-11	2
34.6	111001	BASE CONTROL BOX SIEMENS AGK11	1
34.7	111014	BASE RELAY FINDER 94.72	1
34.8	118438	PLUG TEKNOALFA (6 POLES.T)	1
35	072016	INSTRUCTIONS HEAVY OIL _2 IT FBR-	1
36	076024	DECLARATION OF INDUSTRIAL CONFORMITY - IGEFD FBR-	1
37	078252	ELECTRICAL DIAGRAM BURNER	1
38	101017_2	CONTROL BOX SIEMENS LMO44.255C2 230V-50:60Hz	2
38.1	077114	CONTROL BOX INSTRUCTIONS SIEMENS-7130	1
39	111002	STILL-CABLE CONTROL BOX SIEMENS AGK66	1
40	111013	BASE FR SIEMENS QRB1	1
41	112278	COIL ELEK.-1930.1415-VL 230V-50:60Hz	1
42	118437	PLUG TEKNOALFA (6 POLES.T)	1
43	158859	MOTOR SOGA MEC 80C-B5-2P 1.5KW 230:400V-50Hz-6.2:3.6A	1
45	177001	RELAY FINDER 55.32.8.230.0054 10A-250V-230V	1
46	177127	HEATER 220V-30W D6.5-LR=38-L=2400	1
47	177129	HEATER 220V-50W D12-LR=50-L=200	1
48	191204	THERMOSTAT IMIT 542422 TC2 0-160°C	1
49	191342	FILTER RADIONOISE FC710Y2F 0.1uF(X2)+2x4-7nF+2.2MOhm-250V	1
51	229712	GASKET FLANGE BURNER	1
59	279100	THERMOMETER TB 63 0-200°C	1
61	291050	FAN (BOSCHINI) D240x65 RS HUB D19-CH013229	1