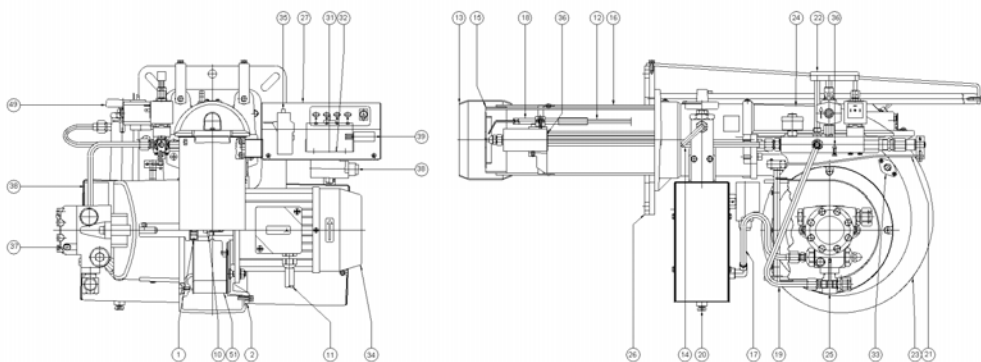




003048\_1F  
BURNER HEAVY OIL  
FNDP 45\_2 TL



	Code	Descriptions	Minimum Purchase Quantity
1	011187	JOINT ELASTIC D39.5	1
2	013065	SUPPORT MOTOR	1
10	032276	WASHER FIXING FAN D19	1
11	040153	MOTOR'S CABLE	1
12	040290	IGNITION CABLE CARBON Sez.1-D7 D6.35-D4	1
13	051097	TERMINAL BLAST TUBE GR.WELDED	1
14	051130	PIPELINE DELIVERY TANK-GR.VALVE GR.WELDED	1
15	051135	REGULATION COMBUSTION HEAD GR.WELDED	1
16	051139	BLAST TUBE SUPPORT	1
17	051757	GR.PIPELINE DELIVERY POMP-TANK	1
18	051836	GR.FLAME DISK SUPPORT	1
18.1	013230	FLAME DISK SUPPORT	1
18.3	051515	FLAME DISK GR.WELDED	1

18.4	133232	IGNITION ELECTRODE	1
19	051838	GR.PIPELINE RETURN GR.VALVES-POMP	1
20	051853	GR.TANK	1
20.10	252007	OR 3300 D75.87x2.62-VITON	1
20.3	021312	SHIELD TANK	1
20.4	051753	TANK GR.WELDED	1
20.5	051801	GR.FILTER HEAVY OIL 0.2	1
20.5.5	252008	OR 3125 D31.42x2.62-VITON	1
20.6	060361	TANK'S ELECTRICAL PANEL	1
20.8	177102	HEATER 220V-2KW LR=340	1
20.9	177106	HEATER 220V-2KW LR=340	1
21	052120	GR.CONNECTING ROD	1
22	053414	GR.NOZZLES-HOLDER 230V-50Hz	1
22.10	053407	NOZZLES-HOLDER GR.WELDED	1
22.11	132021	SOLENOID VALVE PARKER VE120.8AR JB18 230V-50:60Hz	1
22.11.1	111245	COIL PARKER JB18 230V-50:60Hz	1
22.12	132407	SOLENOID VALVE SIRAI L338 M20 Z130A D1.3 230V-50Hz	1
22.12.1	112282	COIL SIRAI Z130A 230V-50Hz	1
22.12.2	132672	BODY SOLENOID VALVE SIRAI L338 M20 S.E.	1
22.15	244000	MANOMETER 0:40 bar:psi D40-M1:8P	1
22.16	252005	OR 2015-102 D3.69x1.78-VITON	1
22.17	252026	OR S D8.90x1.90-VITON	1
22.4	051222	GR.HYDRAULIC JACK	1
22.4.6	244209	SPRING TO CYLINDRICAL HELIX 1.8x14.1x45	1
22.4.7	252006	OR 115-115 D11.91x2.62-VITON	1
22.4.8	252011	OR 2087 D21.95x1.78-VITON	1
22.5	051363	GR.FAUCET ATTACH MANOMETER	1
22.5.3	252019	OR 2025-105 D6.07x1.78-VITON	1
22.7	053129	PISTON KIT 1°STAGE	1
22.7.4	244205	SPRING TO CYLINDRICAL HELIX 1.8x9.6x31	1
22.7.5	252025	OR S D11.10x1.60-VITON	1
22.8	053130	PISTON KIT 2°STAGE-3°STAGE	1
22.8.10	252025	OR S D11.10x1.60-VITON	1
22.8.8	244205	SPRING TO CYLINDRICAL HELIX 1.8x9.6x31	1
22.8.9	252010	OR 2043 D10.82x1.78-VITON	1
22.9	053131	PISTON KIT ANTIGAS 4bar	1
22.9.3	053127	GR.PISTON ANTIGAS	1
22.9.5	244207	SPRING TO CYLINDRICAL HELIX 0.8x6.9x31	1
22.9.6	252034	OR S D9.10x1.60-VITON	1
23	053531	GR.BURNER'S BODY	1
23.3.1	013217	FLANGE BLAST TUBE	1
24	053559	GR.BURNER'S BODY COVER	1
24.3	274000	GR.FLAME WINDOW	1
25	053717	PUMPS GROUP	1
25.10	258512	POMP SUNTEC E4NA-1070-6P	1
25.10.1	525001	GASKET COVER PUMP SUNTEC E...	1
25.10.2	542006	FILTER POMP SUNTEC E4	1
25.10.3	590001	GASKETS KIT SEAL POMP SUNTEC J-E :993473	1
25.10.4	590007	GASKET SHAFT POMP SUNTEC E 1069-1070	1
25.2	032270	JOINT POMP SIDE	1
26	054166	BURNER'S ACCESSORIES FBR	1
26.10	252007	OR 3300 D75.87x2.62-VITON	1
26.11	252008	OR 3125 D31.42x2.62-VITON	1
26.12	252034	OR S D9.10x1.60-VITON	1
26.13	278023	PIPE FLEX R6 PLAIED DN13-1200 MF 1:2P-1:2P	1
26.14	278024	PIPE FLEX R6 PLAIED DN19-1500 MF 1P-3:4P	1
26.2	225010	FILTER 20451V30 220V 300W 1"	1
26.2.1	224554	HEATER FAG COD.:20401-C3	1
26.5	229701_2	GASKET FLANGE BURNER EN...	2
26.8	252005	OR 2015-102 D3.69x1.78-VITON	1
26.9	252006	OR 115-115 D11.91x2.62-VITON	1
27	060092	BURNER'S ELECTRICAL PANEL 3Nac400:230V-1Nac230V-50Hz	1
27.1	011282	TRANSPARENT COVER - CONTROL BOX RELEASE	1
27.10	118400	SOCKET SHIELD VC1102A00300S (BLACK) (2 POLES+T)	1
27.11	118417	SOCKET SHIELD VC1202A00300S (GREY) PG9(3 POLI+T)ALTA	1

27.12	139107	PHOTORESISTANCE SIEMENS A7G1034415 BLACK L=500	1
27.13	139220	FUSE IN GLASS D5X20-5A-250V RAPID	1
27.14	148000	SWITCH ONE POLES TO LEVER	1
27.15	148009	COVER COMMAND TO LEVER	1
27.3	021307	COVER WIRING	1
27.31	183550_2	GREEN LAMP D6 5002724 TB-06R-SU3+LENTE 230VAC-90°C	2
27.32	186008	CONTACTOR LOVATO BF12.10 A230 230V-50:60Hz	1
27.33	189023	IGNITION TRANS. COFI TRG1230-D4M 2x6kV 230V-50Hz	1
27.34	190008	CONTACTOR DANFOSS C112-037 H4032-32 230V-50:60Hz	1
27.9	111001	BASE CONTROL BOX SIEMENS AGK11	1
28	072005	INSTRUCTIONS HEAVY OIL _2 IT FBR-	1
29	076024	DECLARATION OF INDUSTRIAL CONFORMITY - IGEFD FBR-	1
30	078001_2	ELECTRICAL DIAGRAM BURNER	2
31	101017_2	CONTROL BOX SIEMENS LMO44.255C2 230V-50:60Hz	2
31.1	077114	CONTROL BOX INSTRUCTIONS SIEMENS-7130	1
32	111002	STILL-CABLE CONTROL BOX SIEMENS AGK66	1
33	111013	BASE FR SIEMENS QRB1	1
34	158858	MOTOR SOGA MEC 80-B5-2P 1.1KW 230:400V-50Hz	1
35	176013	RELAY THERMAL LOVATO RF38.0400 (2.5-4A)	1
36	177127	HEATER 220V-30W D6.5-LR=38-L=2400	1
37	177129	HEATER 220V-50W D12-LR=50-L=200	1
38	191204	THERMOSTAT IMIT 542422 TC2 0-160°C	1
39	191342	FILTER RADIONOISE FC710Y2F 0.1uF(X2)+2x4-7nF+2.2MOhm-250V	1
49	279100	THERMOMETER TB 63 0-200°C	1
51	291050	FAN (BOSCHINI) D240x65 RS HUB D19-CH013229	1