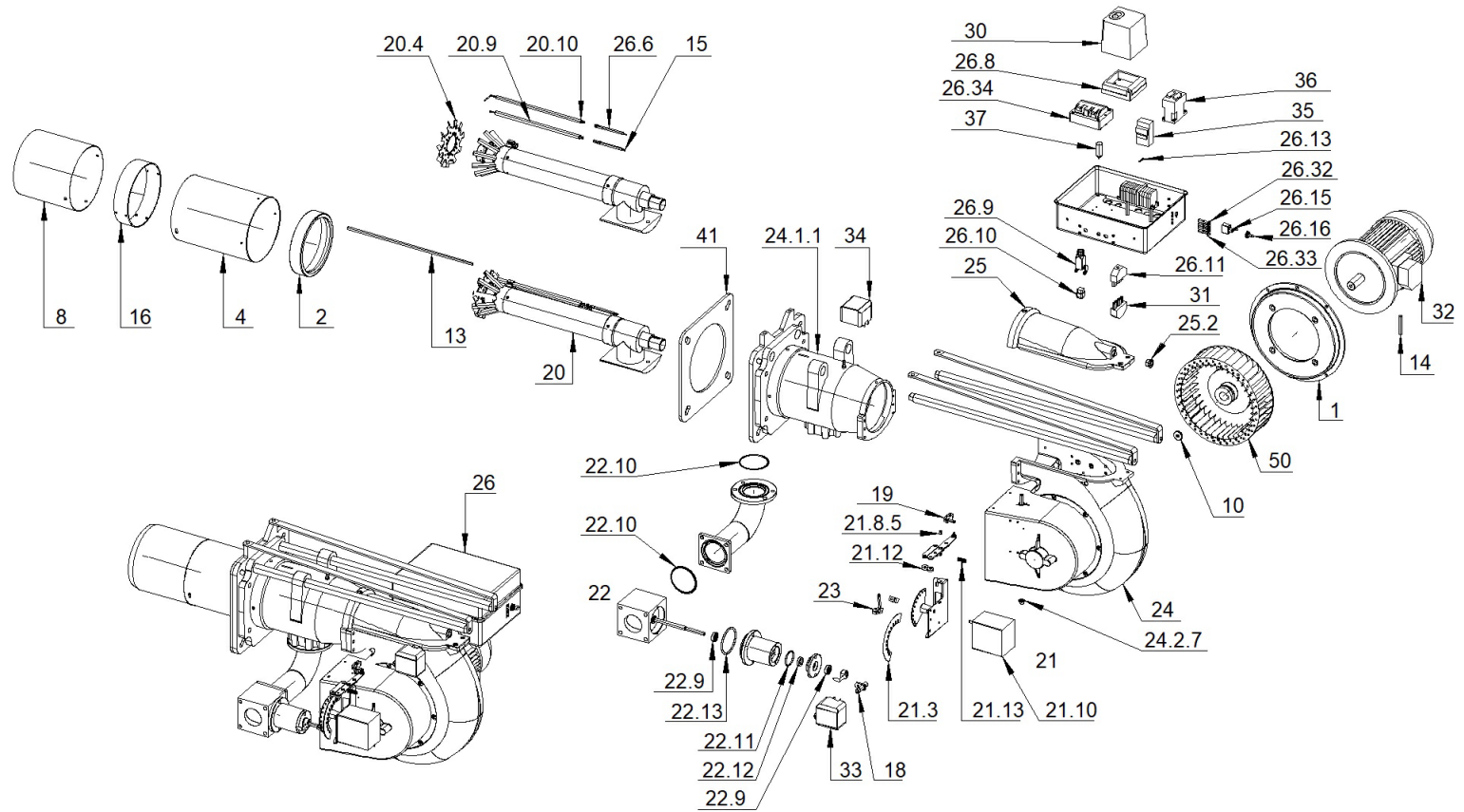


002488_1G
BURNER GAS_M



002488_1G
BURNER GAS_M

Pos.	Code	Descriptions	Minimum Purchase Quantity
1	013068	SUPPORT MOTOR	1
2	013070	RING REGULATION COMBUSTION HEAD	1
4	021051	BLAST TUBE SUPPORT	1
8	021980	TERMINAL BLAST TUBE	1
10	032554	WASHER FIXING FAN D28	1
13	033323	ROD REGULATION COMBUSTION HEAD	1
14	040234	MOTOR'S CABLE	1
15	040291	IGNITION CABLE CARBON Sez.1-D7 D6.35-D4	1
16	051066	RING JUNCTION BLAST TUBE GR.WELDED	1
18	052681	ATTACK PRESSURE SWITCH AIR GR.WELDED	1
19	052700	GR.CONNECTING ROD	1
20	052954	KIT COMBUSTION HEAD	1
20.10	133270	PROBE OF IONIZATION	1
20.4	021942	FLAME DISK	1
20.9	133269	IGNITION ELECTRODE	1
21	053011	GR.SECTOR CAMS	1
21.10	183302	SERVOMOTOR SIEMENS SQN31.401A2700 230V-50:60Hz	1
21.12	220000	BEARING SKF 626-2Z	1
21.13	244205	SPRING TO CYLINDRICAL HELIX 1.8x9.6x31	1
21.3	021732	CAMS VARIABLE	1
21.8.5	220005	BUCKLE FLANGED BRONZE D8X12X16X2X8	1
22	053074	GR.MODULATION GAS	1
22.10	252024	OR 4337 D85.32x3.53-VITON	1
22.11	252037	OR 3175 D44.12x2.62-VITON	1

002488_1G
BURNER GAS_M

Pos.	Code	Descriptions	Minimun Purchase Quantity
22.12	252040	GASKET RING DPSM 12287	1
22.13	252042	OR 4312 D78.97x3.53-VITON	1
22.9	220007	BEARING	1
23	053075	GR.CONNECTING ROD	1
24	053500	GR.BURNER'S BODY	1
24.1.1	013066	FLANGE BLAST TUBE	1
24.2.7	220004	BUCKLE FLANGED FB1 D10X12X18X1X9	1
25	053560	GR.BURNER'S BODY COVER	1
25.2	274000	GR.FLAME WINDOW	1
26	060192	BURNER'S ELECTRICAL PANEL 3ac400V-1Nac230V-50Hz	1
26.10	118433	PLUG ILME IL CKF04	1
26.11	118438	PLUG TEKNOALFA (6 POLES.T)	1
26.13	139220	FUSE IN GLASS D5X20-5A-250V RAPID	1
26.15	148000	SWITCH ONE POLES TO LEVER	1
26.16	148009	COVER COMMAND TO LEVER	1
26.32	183550_2	GREEN LAMP D6 5002724 TB-06R-SU3+LENTE 230VAC-90°C	1
26.33	183550	RED LAMP D6 5002850 TB-06R-SU3+LENTE 230VAC-90°C	1
26.34	191341_3	IGNITION	1
26.6	040292	PROBE CABLE	1
26.8	111005	BASE CONTROL BOX SIEMENS LFL.. AGM410.490.550	1
26.9	118432	CASE ILME IL CK03VGS	1
27	073025	INSTRUCTIONS GAS _M IT FBR-	1
28	076011	DECLARATION OF CONFORMITY - IGEFD FBR-	1
29	078015	ELECTRICAL DIAGRAM BURNER	1

002488_1G
BURNER GAS_M

Pos.	Code	Descriptions	Minimum Purchase Quantity
30	104005_2	CONTROL	1
30.1	077054	CONTROL BOX INSTRUCTIONS SIEMENS-N7451	1
31	118437	PLUG TEKNOALFA (6 POLES.T)	1
32	158861	MOTOR SOGA MEC 100-B5-2P 3KW 230:400V-50:60Hz	1
33	172107_3	PRESSURE SWITCH AIR KROM DL5A-3-32Z 0.4-6MBAR	1
34	172108_2	PRESSURE SWITCH KROM DG50B-3 2.5-50mbar	1
35	176015	RELAY THERMAL LOVATO RF38.1000 (6.3-10A)	1
36	190006_2	CONTACTOR LOVATO BF18.T4 A230 230V-50:60Hz	1
37	191342	FILTER RADIONOISE FC710Y2F 0.1uF(X2)+2x4-7nF+2.2MOhm-250V	1
41	229702	GASKET FLANGE BURNER	1
50	291039_2	FAN (VECO) D300x90 RS HUB D28-CH	1