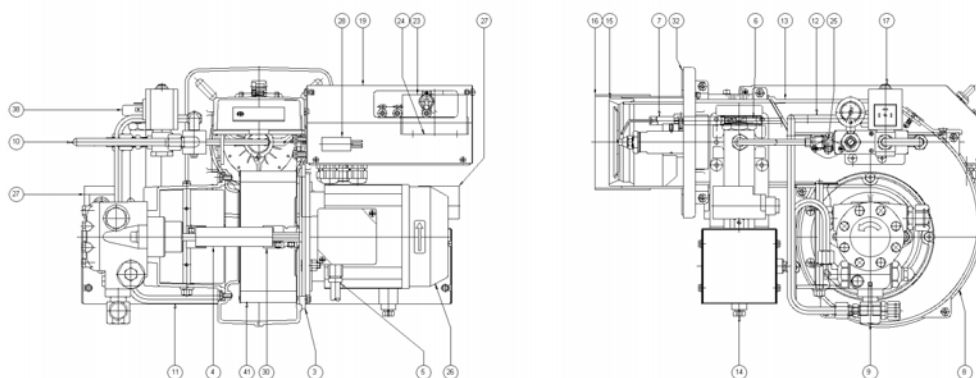




003066\_1F  
BURNER HEAVY OIL.1



	Code	Descriptions	Minimum Purchase Quantity
	3	022461 SUPPORT MOTOR	1
	4	034018 JOINT ELASTIC D26	1
	5	040116 MOTOR'S CABLE	1
	6	040290 IGNITION CABLE CARBON Sez.1-D7 D6.35-D4	1
	7	051922 GR.FLAME DISK SUPPORT	1
	7.1	013393 FLAME DISK SUPPORT	1
	7.3	021379 FLAME DISK	1
	7.5	133233 IGNITION ELECTRODE	1
	8	053309 GR.BURNER'S BODY+ INLET AIR -DEF.	1
	9	053378 GR.POMP	1
	9.10	258506 POMP SUNTEC E4NA-1001-6P	1
	9.10.1	525001 GASKET COVER PUMP SUNTEC E...	1
	9.10.2	542006 FILTER POMP SUNTEC E4	1

9.10.3	590001	GASKETS KIT SEAL POMP SUNTEC J-E :993473	1
9.4	229101	JOINT POMP SIDE D11.1	1
10	053381	PIPELINE DELIVERY TANK-GR.VALVE GR.WELDED	1
11	053382	GR.PIPELINE DELIVERY POMP-TANK	1
12	053383	GR.PIPELINE RETURN GR.VALVES-POMP	1
13	053707	GR.BURNER'S BODY COVER	1
13.1	011261	FLAME WINDOW	1
13.4	244233	SPRING TO CYLINDRICAL HELIX 1x6.2x7	1
14	053796	GR.TANK	1
14.2	022067	SHIELD TANK	1
14.4	052131	GR.FILTER HEAVY OIL 0.1	1
14.4.5	252008	OR 3125 D31.42x2.62-VITON	1
14.5	053311	TANK GR.WELDED	1
14.8	177122	HEATER 220V-1.2KW LR=200	1
14.9	252007	OR 3300 D75.87x2.62-VITON	1
15	053965	REGULATION COMBUSTION HEAD GR.WELDED	1
16	054006	BLAST TUBE GR.WELDED	1
17	054014	GR.NOZZLE-HOLDER	1
17.1	051363	GR.FAUCET ATTACH MANOMETER	1
17.1.3	252019	OR 2025-105 D6.07x1.78-VITON	1
17.2	053131	PISTON KIT ANTIGAS 4bar	1
17.2.3	053127	GR.PISTON ANTIGAS	1
17.2.5	244207	SPRING TO CYLINDRICAL HELIX 0.8x6.9x31	1
17.2.6	252034	OR S D9.10x1.60-VITON	1
17.3	053184	PISTON KIT 1°STAGE	1
17.3.5	244205	SPRING TO CYLINDRICAL HELIX 1.8x9.6x31	1
17.3.6	252025	OR S D11.10x1.60-VITON	1
17.4	053380	GR.PIPELINE RETURN GR.VALVES	1
17.5	053715	NOZZLE-HOLDER GR.WELDED	1
17.6	132021	SOLENOID VALVE PARKER VE120.8AR JB18 230V-50:60Hz	1
17.6.1	111245	COIL PARKER JB18 230V-50:60Hz	1
17.9	244000	MANOMETER 0:40 bar:psi D40-M1:8P	1
18	054206	BURNER'S ACCESSORIES	1
18.10	278012	PIPE FLEX DN19-1200 MF 1P-3:4P	1
18.11	278023	PIPE FLEX R6 PLAITED DN13-1200 MF 1:2P-1:2P	1
18.2	225000_2	FILTER FAG 20301-30-AL 0.3-D1P	2
18.2.1	225014	HEATER FAG 20301-30 0.3	1
18.7	252007	OR 3300 D75.87x2.62-VITON	1
18.8	252008	OR 3125 D31.42x2.62-VITON	1
18.9	252034	OR S D9.10x1.60-VITON	1
19	060268	BURNER'S ELECTRICAL PANEL 3Nac400:230V-1Nac230V-50Hz	1
19.1	011282	TRANSPARENT COVER - CONTROL BOX RELEASE	1
19.10	139107	PHOTORESISTANCE SIEMENS A7G1034415 BLACK L=500	1
19.11	139220	FUSE IN GLASS D5X20-5A-250V RAPID	1
19.12	148000	SWITCH ONE POLES TO LEVER	1
19.13	148009	COVER COMMAND TO LEVER	1
19.2	021307	COVER WIRING	1
19.27	183550_2	GREEN LAMP D6 5002724 TB-06R-SU3+LENTE 230VAC-90°C	2
19.28	189023	IGNITION TRANS. COFI TRG1230-D4M 2x6kV 230V-50Hz	1
19.29	190019	CONTACTOR LOVATO BG0610A230 AC3=2.2KW 230V-50:60Hz	1
19.30	192320_3	RELAY THERMAL SIEI-TKM-2R (2.5-4A)	3
19.8	111001	BASE CONTROL BOX SIEMENS AGK11	1
19.9	118400	SOCKET SHIELD VC1102A00300S (BLACK) (2 POLES+T)	1
20	072015	INSTRUCTIONS HEAVY OIL .1 IT FBR-	1
21	076023	DECLARATION OF INDUSTRIAL CONFORMITY - IGEFD FBR-	1
22	078047	ELECTRICAL DIAGRAM BURNER	1
23	101010_2	CONTROL BOX SIEMENS LOA24.171B2FB 230V-50:60Hz	2
23.1	077048	CONTROL BOX INSTRUCTIONS SIEMENS-N7118	1
24	111002	STILL-CABLE CONTROL BOX SIEMENS AGK66	1
25	111013	BASE FR SIEMENS QRB1	1
26	158938	MOTOR SIMEL 3011-N2-2P 550W 230:400V-50:60Hz	1
27	191204	THERMOSTAT IMIT 542422 TC2 0-160°C	1
28	191342	FILTER RADIONOISE FC710Y2F 0.1uF(X2)+2x4-7nF+2.2MOhm-250V	1
30	229102	JOINT MOTOR SIDE D12.7	1
32	229733	GASKET FLANGE BURNER	1

38	279100	THERMOMETER TB 63 0-200°C	1
41	291077	FAN D180x78 RS HUB D12.7	1