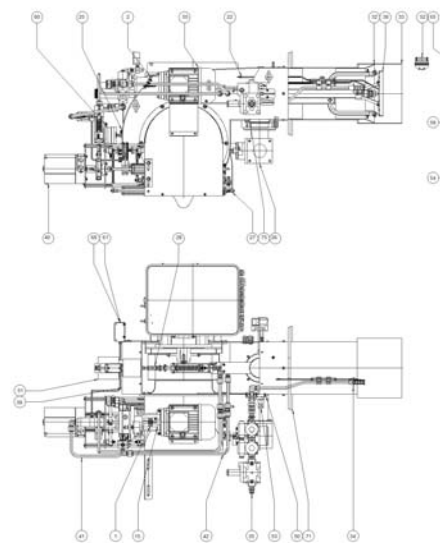


004149_1B
DUAL FUEL BURNER_M P

Pos.	Code	Descriptions
1	011187	JOINT ELASTIC D39.5
2	011222	FLAME WINDOW
6	021828	CONVEYER Di250x60
14	032554	WASHER FIXING FAN D28
15	032915	JOINT MOTOR SIDE
22	040290	IGNITION CABLE CARBON Sez.1-D7 D6.35-D4
24	052652	SUPPORT MOTOR GR.WELDED
25	052679	ATTACK PRESSURE SWITCH AIR GR.WELDED
26	053113	GR.MODULATION GAS
26.10	252037	OR 3175 D44.12x2.62-VITON
26.11	252040	GASKET RING DPSM 12287
26.12	252042	OR 4312 D78.97x3.53-VITON
26.8	220007	BEARING
26.9	252024	OR 4337 D85.32x3.53-VITON
27	053420	GR.CONNECTING ROD
28	053468	GR.JOINT NUCLEUS-NOZZLE-HOLDER
30	054132	BURNER'S ACCESSORIES
30.1	224509	FILTER GIULIANI 70101-AL 0.1-D1P
30.4	278004	PIPE FLEX DN13-1200 MF 1:2P-1:2P
30.5	278007	PIPE FLEX DN25-1500 MF 1P-1P
32	054458	REGULATION COMBUSTION HEAD GR.WELDED
33	055360	BLAST TUBE GR.WELDED
34	055368	PILOT FLAME IGNITION GROUP
34.3	133955	IGNITION ELECTRODE
34.3.2	133063	INSULATOR ELECTRODE
35	055369	GAS TRAIN CE P D1:2P-FS15 230V-50:60Hz
35.1	133026	SOLENOID VALVE HONEYWELL EV15-VE4015A 230V-50:60Hz
35.1.1	033529	WASHER COIL HONEYWELL D20(VQ-VE4015A-20A-25A)
35.1.2	111231_2	COIL HONEYWELL BB152301(VE4015) 230V-50:60Hz
35.1.2.1	183100	CARD HONEYWELL-CS020070 VQ-VE.10-25 230V-50:60Hz
35.2	133041	SOLENOID VALVE HONEYWELL EVR15-VE4015B 230V-50:60Hz
35.2.1	111231_2	COIL HONEYWELL BB152301(VE4015) 230V-50:60Hz

		We use cookies to track usage and preferences. / Questo sito utilizza i cookies per finalità di profilazione e navigazione. Accept / Accetta	
35.2.1.1	183100	CARD HONEYWELL-CS020070 VQ-VE.10-25 230V-50:60Hz	
35.4	224532_2	GESTIRE_1 FILTRO STAB.MADAS FRG-2MTE 1/2"	
38	055430	KIT COMBUSTION HEAD	
38.3	055353	COMBUSTION HEAD GR.WELDED	
38.4	055362	GR.NOZZLE-HOLDER	
38.4.10	244224	SPRING TO CYLINDRICAL HELIX 3.2x23.2x140	
38.4.11	252027	OR 119 D15.08x2.62-VITON	
38.4.12	252054	OR D6x3-VITON	
38.4.5.1	220015	BUCKLE CYLINDRICAL BRONZE D14X18X18	
38.4.9	055361	NOZZLE-HOLDER GR.WELDED	
38.5	055587	GR.FLAME DISK SUPPORT	
38.5.1	055306	FLAME DISK SUPPORT GR.WELDED	
38.5.2	055588	FLAME DISK GR.WELDED	
38.6	133954	IGNITION ELECTRODE DX	
38.6.2	133063	INSULATOR ELECTRODE	
38.7	133956	IGNITION ELECTRODE SX	
38.7.2	133063	INSULATOR ELECTRODE	
39	055431	BURNER'S BODY GR.WELDED	
40	055432	GR.INLET AIR	
40.10	032630	ECCENTRIC	
40.23	033891	JOINT SERVOMOTOR D12-CH	
40.24	034080	PIVOT SPRING'S TENSION	
40.32	053110	GR.LEVER	
40.32.6	220001	BEARING SKF 625-2Z	
40.32.7	220008	BUCKLE CYLINDRICAL BRONZE D12X18X25	
40.32.8	244205	SPRING TO CYLINDRICAL HELIX 1.8x9.6x31	
40.33	053125	GR.SECTOR	
40.33.2	021878	CAMS VARIABLE	
40.34	053343	GR.LEVER	
40.34.6	220001	BEARING SKF 625-2Z	
40.34.7	220008	BUCKLE CYLINDRICAL BRONZE D12X18X25	
40.34.8	244205	SPRING TO CYLINDRICAL HELIX 1.8x9.6x31	
40.35	053349	GR.CONNECTING	
40.36	053350	GR.CONNECTING	
40.37	053356	GR.SECTOR	
40.37.2	021878	CAMS VARIABLE	
40.39	053369	GR.CONNECTING ROD	
40.40	055433	GR.REGULATOR OF PRESSURE	
40.40.13	051363	GR.FAUCET ATTACH MANOMETER	
40.40.13.3	252019	OR 2025-105 D6.07x1.78-VITON	
40.40.14	054222	GR.PISTON NO RETURN VALVE	
40.40.16	220002	BEARING SKF 6001-2RS	
40.40.18	244002	MANOMETER GLYCERINE INDRA 0:40 bar D50-M1:8P	
40.40.19	244207	SPRING TO CYLINDRICAL HELIX 0.8x6.9x31	
40.40.2	032628	BUCKLE FOR BEARING	
40.40.20	244225	SPRING TO CYLINDRICAL HELIX 2.5x12.7x41	
40.40.21	252006	OR 115-115 D11.91x2.62-VITON	
40.40.22	252035	OR 3112 D28.25x2.62-VITON	
40.40.5.1	220011	BUCKLE CYLINDRICAL BRONZE D12X15X12	
40.41	183646	SERVOMOTOR	
40.44	220003	BEARING SKF 6005-2Z	
40.45	220004	BUCKLE FLANGED FB1 D10X12X18X19	
40.46	220007	BEARING	
40.47	220013	BEARING SKF 6200-2Z	

We use cookies to enhance your browsing experience. / Questo sito utilizza i cookies per finalità di profilazione e navigazione. [Accept](#) / [Accetta](#)

40.48	244506	SPRING LOOSE RECOVERY 1x7.8x81.6
40.7	031209	PIVOT SHOVEL
41	055435	GR.PIPELINE RETURN REGULATOR-POMP
42	055436	GR.PIPELINE DELIVERY POMP-NOZZLE-HOLDER
42.1	034725	PIPELINE DELIVERY POMP-NOZZLE-HOLDER
44	055438	GR.POMP
44.11	244002	MANOMETER GLYCERINE INDRA 0:40 bar D50-M1:8P
44.15	258011	POMP SUNTEC TA2C-4010-6
44.15.1	229780	GASKETS KIT SEAL POMP SUNTEC TA-REV.2:5 :2014462
44.2	033112	JOINT POMP SIDE
44.3	051363	GR.FAUCET ATTACH MANOMETER
44.3.3	252019	OR 2025-105 D6.07x1.78-VITON
44.4	132026	SOLENOID VALVE PARKER VE140.4DR-ZH14 1:4P 230V-50:60Hz
44.4.1	111255	COIL PARKER ZH14 230V-50:60Hz
45	060430	BURNER'S ELECTRICAL PANEL 3ac400V-1Nac230V-50Hz
45.10	118400	SOCKET SHIELD VC1102A00300S (BLACK) (2 POLES+T)
45.11	118432	CASE ILME IL CK03VGS
45.12	118433	PLUG ILME IL CKF04
45.13	118438	PLUG TEKNOALFA (6 POLES.T)
45.15	139220	FUSE IN GLASS D5X20-5A-250V RAPID
45.18	148000	SWITCH ONE POLES TO LEVER
45.19	148006	SWITCH FOUR POLES TO LEVER
45.20	148009	COVER COMMAND TO LEVER
45.39	183550_2	GREEN LAMP D6 5002724 TB-06R-SU3+LENTE 230VAC-90°C
45.40	183550	RED LAMP D6 5002850 TB-06R-SU3+LENTE 230VAC-90°C
45.41	186007	CONTACTOR LOVATO BF9.10 A230 230V-50:60Hz
45.42	189023	IGNITION TRANS. COFI TRG1230-D4M 2x6kV 230V-50Hz
45.44	191341_5	IGNITION TRANS. COFI TRS820P-8-D4 1x8kV 230V-50Hz
45.8	111005	BASE CONTROL BOX SIEMENS LFL.. AGM410.490.550
45.9	111017	BASE RELAY FINDER 94.74
46	073513	DUAL FUEL INSTRUCTIONS _2 IT FBR-
47	076027	DECLARATION OF INDUSTRIAL CONFORMITY - IGEFD FBR-
48	078318	ELECTRICAL DIAGRAM BURNER
49	104005_2	CONTROL
49.1	077054	CONTROL BOX INSTRUCTIONS SIEMENS-N7451
50	111275	BASE
51	112278	COIL ELEK.-1930.1415-VL 230V-50:60Hz
52	118437	PLUG TEKNOALFA (6 POLES.T)
53	139120	PHOTOELECTRIC
54	158882	MOTOR CIMA MEC 112-B5-2P 5.5KW 230:400V-50:60Hz
55	158904_2	MOTOR CIMA MEC 80-B3:B14-2P 1.1KW 230:400V-50:60Hz
59	172111_2	PRESSURE
60	172113_2	PRESSURE SWITCH KROM DG10B-3 1-10mbar
61	172741	PRESSURE SWITCH DANFOSS-060-536566 KP35 Gc1:4P-0.2:7.5bar
62	176003	RELAY FINDER 55.34-8.230.0054 7A-250V-230V
63	176016	RELAY THERMAL LOVATO RF38.1400 (9-14A)
65	190014_2	CONTACTOR LOVATO BF26.00 A230 230V-50:60Hz
66	190024_2	CONTACT AUXILIARY LOVATO BFX10-11
67	191342	FILTER RADIONOISE FC710Y2F 0.1uF(X2)+2x4-7nF+2.2MOhm-250V
68	195054	COVER PRESSURE SWITCH KP..DANFOSS-060-1097 IP44
71	229710	GASKET FLANGE BURNER
75	252053	OR 6312 D78.74x5.33-VITON
90	291069	FAN D315x115 RD HUB D28