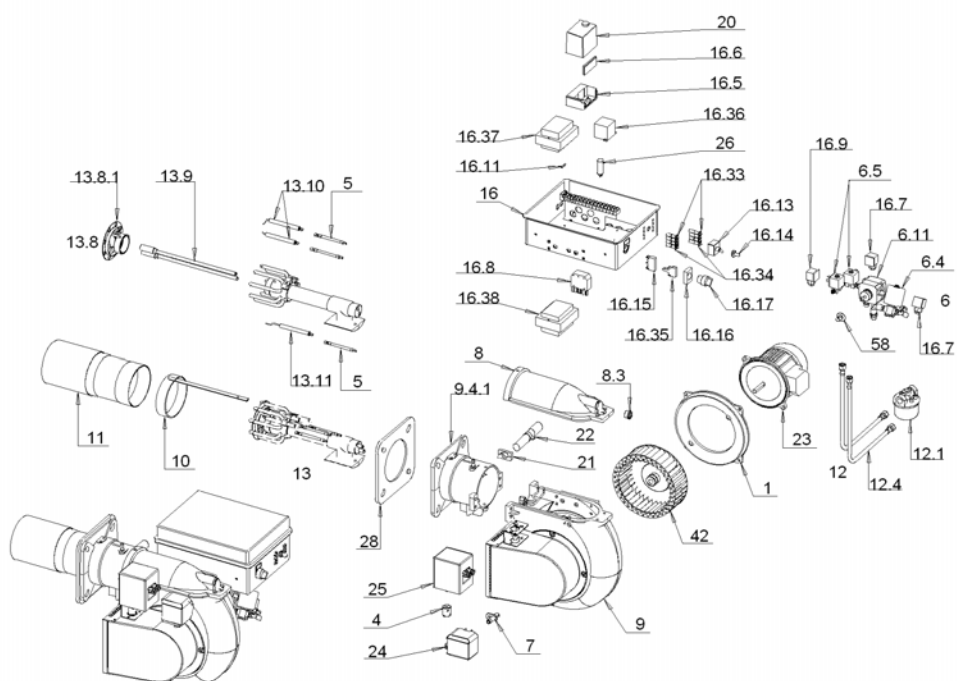




K 3/2 TL
DUAL FUEL BURNER_2



	Code	Descriptions	Minimum Purchase Quantity
1	013036	SUPPORT MOTOR	1
4	031299	JOINT SERVOMOTOR D8	1
5	040290	IGNITION CABLE CARBON Sez.1-D7 D6.35-D4	1
6	052487	GR.PUMP 230V-50Hz	1
6.11	258912	POMP DELTA VD4LR2 1:4P-RS	1
6.4	132021	SOLENOID VALVE PARKER VE120.8AR JB18 230V-50:60Hz	1
6.4.1	111245	COIL PARKER JB18 230V-50:60Hz	1
6.5	132023	SOLENOID VALVE PARKER VE131IV-KT09 230V-50Hz	1
6.5.1	111244	COIL PARKER KT09 230V-50Hz	1
7	052681	ATTACK PRESSURE SWITCH AIR GR.WELDED	1
8	053559	GR.BURNER'S BODY COVER	1
8.3	274000	GR.FLAME WINDOW	1
9	053950		1

9.4.1	013463		1
10	054046	REGULATION COMBUSTION HEAD GR.WELDED	1
11	054055	BLAST TUBE GR.WELDED	1
12	054149	BURNER'S ACCESSORIES	1
12.1	224502_2	FILTER FAG 20201-PL 0.1-D3:8P-(30-80L)	1
12.1.1	224536	HEATER FAG 20201 0.1	1
12.4	278038	PIPE FLEX DN10-1200 FF 3:8P-3:8P	1
13	054234	KIT COMBUSTION HEAD	1
13.10	133206	IGNITION ELECTRODE LIGHT-OIL	1
13.11	133220	IGNITION ELECTRODE GAS	1
13.8	051143	FLAME DISK GR.WELDED	1
13.8.1	021089	FLAME DISK	1
13.9	054230	NOZZLE-HOLDER	1
16	060278	BURNER'S ELECTRICAL PANEL 1Nac230V-50Hz	1
16.11	139220	FUSE IN GLASS D5X20-5A-250V RAPID	1
16.13	148006	SWITCH FOUR POLES TO LEVER	1
16.14	148009	COVER COMMAND TO LEVER	1
16.15	148017_3	ELEMENT FOR CONTACT NO RK800FX10	1
16.16	148018_3	BASE D22 RK800FALM	1
16.17	148020_3	SWITCH 01 GREEN RK800FMLS23	1
16.33	183550_2	GREEN LAMP D6 5002724 TB-06R-SU3+LENTE 230VAC-90°C	1
16.34	183550	RED LAMP D6 5002850 TB-06R-SU3+LENTE 230VAC-90°C	1
16.35	184002_3	GREEN LED RK800FN7G 230V	1
16.36	190019_4	CONTACTOR LOVATO BG0610A230 AC3=2.2KW 230V-50:60Hz	1
16.37	191340_3	IGNITION TRANS. COFI TRS1020-D4 2x5kV 230V-50Hz	1
16.38	191341_5	IGNITION TRANS. COFI TRS820P-8-D4 1x8kV 230V-50Hz	1
16.5	111276	BASE CONTROL BOX SATRONIC S98-12-POL-75310	1
16.6	111277	STILL-CABLE CONTROL BOX SATRONIC PG-70502	1
16.7	118400	SOCKET SHIELD VC1102A00300S (BLACK) (2 POLES+T)	1
16.8	118405	SOCKET WIELAND ST18-6 (6 POLES.T)	1
16.9	118417	SOCKET SHIELD VC1202A00300S (GREY) PG9(3 POLI+T)ALTA	1
17	073505	DUAL FUEL INSTRUCTIONS _2 IT FBR-	1
18	076023	DECLARATION OF INDUSTRIAL CONFORMITY - IGEFD FBR-	1
19	078068	ELECTRICAL DIAGRAM BURNER	1
20	101543	CONTROL BOX HONEYWELL MMG810.1 mod.33 230V-50Hz	1
20.1	077055	CONTROL BOX INSTRUCTIONS HONEYWELL-MMG810-811.1	1
21	111279	BASE FC SATRONIC UVZ-18807	1
22	134002	PHOTOELECTRIC CELL UV SATRONIC UVZ 780 RED-18813	1
23	158831	MOTOR SIMEL CS1-3007-32-N2-2P 370W 230V-50Hz	1
23.1	118208	CONDENSER SIMEL 14 uF-Vn450	1
23.2	220016	BEARING SKF 6202-2Z	1
24	172107_3	PRESSURE SWITCH AIR KROM DL5A-3-32Z 0.4-6MBAR	1
25	183661	SERVOMOTOR SIEMENS SQN70.254A20 230V-50:60Hz	1
26	191342	FILTER RADIONOISE FC710Y2F 0.1uF(X2)+2x4-7nF+2.2MOhm-250V	1
28	229707	GASKET FLANGE BURNER	1
42	291007_2	FAN (VECO) D215x73 RS HUB D12.7	1
58	547000	JOINT MOTOR-POMP SIMEL	1