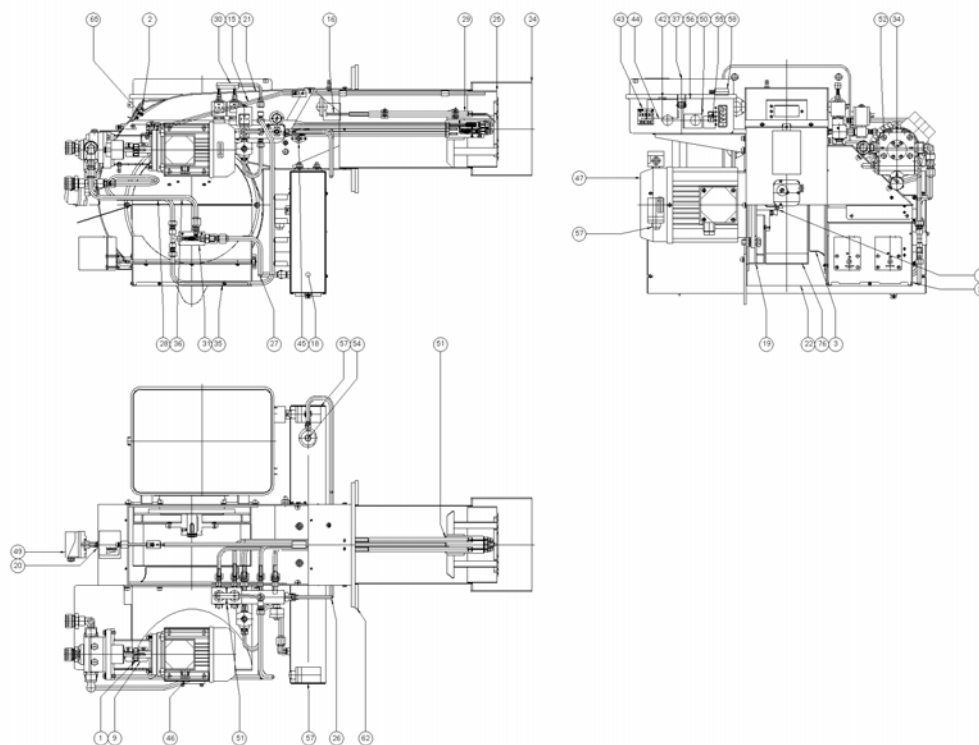




003058_1E
BURNER HEAVY OIL_3



	Code	Descriptions	Minimun Purchase Quantity
1	011187	JOINT ELASTIC D39.5	1
2	011222	FLAME WINDOW	1
3	021712	CONVEYER Di266x50	1
8	032554	WASHER FIXING FAN D28	1
9	032915	JOINT MOTOR SIDE	1
15	033140	ROD REGULATION COMBUSTION HEAD	1
16	040290	IGNITION CABLE CARBON Sez.1-D7 D6.35-D4	1
18	052400	GR.TANK	1
18.10	177120	HEATER 220V-3.5KW LR=340	1
18.11	252007	OR 3300 D75.87x2.62-VITON	1
18.2	021217	SHIELD TANK	1
18.4	051120	TANK GR.WELDED	1
18.5	054088	GR.FILTER HEAVY OIL ELECTRONIC REGULATOR 0.2	1
18.5.4	252008	OR 3125 D31.42x2.62-VITON	1
18.6	060359	TANK'S ELECTRICAL PANEL	1

18.8	177107	HEATER 220V-2.5KW LR=340	1
18.9	177119	HEATER 220V-3.5KW LR=340	1
19	052652	SUPPORT MOTOR GR.WELDED	1
20	052679	ATTACK PRESSURE SWITCH AIR GR.WELDED	1
21	052773	BURNER'S BODY COVER GR.WELDED	1
22	052783	BURNER'S BODY GR.WELDED	1
24	052834	BLAST TUBE GR.WELDED	1
25	052939	REGULATION COMBUSTION HEAD GR.WELDED	1
26	052968	PIPELINE DELIVERY TANK-GR.VALVE GR.WELDED	1
27	052969	GR.PIPELINE DELIVERY ANTIGAS-TANK	1
28	053089_2	GR.PIPELINE DELIVERY POMP-ANTIGAS	2
29	053151	GR.FLAME DISK SUPPORT	1
29.2	051194	FLAME DISK SUPPORT GR.WELDED + DISK	1
29.3	133224	IGNITION ELECTRODE	1
30	053152	GR.NOZZLES-HOLDER 230V-50Hz	1
30.10	132021	SOLENOID VALVE PARKER VE120.8AR JB18 230V-50:60Hz	1
30.10.1	111245	COIL PARKER JB18 230V-50:60Hz	1
30.11	132407	SOLENOID VALVE SIRAI L338 M20 Z130A D1.3 230V-50Hz	1
30.11.1	112282	COIL SIRAI Z130A 230V-50Hz	1
30.11.2	132672	BODY SOLENOID VALVE SIRAI L338 M20 S.E.	1
30.15	244000	MANOMETER 0:40 bar:psi D40-M1:8P	1
30.17	252005	OR 2015-102 D3.69x1.78-VITON	1
30.2	051363	GR.FAUCET ATTACH MANOMETER	1
30.2.3	252019	OR 2025-105 D6.07x1.78-VITON	1
30.4	052814	GR.NOZZLES-HOLDER	1
30.5	053129	PISTON KIT 1°STAGE	1
30.5.4	244205	SPRING TO CYLINDRICAL HELIX 1.8x9.6x31	1
30.5.5	252025	OR S D11.10x1.60-VITON	1
30.6	053130	PISTON KIT 2°STAGE-3°STAGE	1
30.6.10	252025	OR S D11.10x1.60-VITON	1
30.6.8	244205	SPRING TO CYLINDRICAL HELIX 1.8x9.6x31	1
30.6.9	252010	OR 2043 D10.82x1.78-VITON	1
30.7	053131	PISTON KIT ANTIGAS 4bar	1
30.7.3	053127	GR.PISTON ANTIGAS	1
30.7.5	244207	SPRING TO CYLINDRICAL HELIX 0.8x6.9x31	1
30.7.6	252034	OR S D9.10x1.60-VITON	1
30.8	053189	GR.PIPELINE RETURN VALVE PARKER	1
30.9	053190	GR.PIPELINE RETURN VALVE PARKER	1
31	053153	GR.ANTIGAS	1
31.2	053131	PISTON KIT ANTIGAS 4bar	1
31.2.3	053127	GR.PISTON ANTIGAS	1
31.2.5	244207	SPRING TO CYLINDRICAL HELIX 0.8x6.9x31	1
31.2.6	252034	OR S D9.10x1.60-VITON	1
32	054034	BURNER'S ACCESSORIES FBR	1
32.10	252007	OR 3300 D75.87x2.62-VITON	1
32.11	252008	OR 3125 D31.42x2.62-VITON	1
32.12	252025	OR S D11.10x1.60-VITON	1
32.13	252034	OR S D9.10x1.60-VITON	1
32.14	278025	PIPE FLEX R6 PLAITED DN25-1500 MF 1P-1P	1
32.2	225010	FILTER 20451V30 220V 300W 1"	1
32.2.1	224554	HEATER FAG COD.:20401-C3	1
32.6	229303_2	GASKET DE043 DALMAR-VITON	2
32.9	252005	OR 2015-102 D3.69x1.78-VITON	1
33	054067	GR.INLET AIR	1
33.10	220013	BEARING SKF 6200-2Z	1
33.11	229777	ADHESIVE GASKET 10x5	1
33.4	022294	SHIELD SERVOMOTOR	1
33.5	031299	JOINT SERVOMOTOR D8	1
33.9	183301	SERVOMOTOR SIEMENS SQN30.111A2700 230V-50:60Hz	1
34	054068	GR.POMP (SUNTEC)	1
34.1	033112	JOINT POMP SIDE	1
34.7	258528	PUMP SUNTEC TA4C-4010-7	1
34.7.1	229780	GASKETS KIT SEAL POMP SUNTEC TA-REV.2:5 :2014462	1
35	054174	GR.PIPELINE RETURN GR.VALVES-ANTIGAS	1
36	054177_2	GR.PIPELINE RETURN ANTIGAS-POMP	2
37	060183	BURNER'S ELECTRICAL PANEL 3ac400V-1Nac230V-50Hz	1
37.11	139107	PHOTORESISTANCE SIEMENS QRB1A-A050B70A2 BLACK L=500	1
37.12	139220	FUSE IN GLASS D5X20-5A-250V RAPID	1
37.15	148000	SWITCH ONE POLES TO LEVER	1
37.16	148009	COVER COMMAND TO LEVER	1
37.37	183550_2	GREEN LAMP D6 5002724 TB-06R-SU3+LENTE 230VAC-90°C	2
37.38	183550	RED LAMP D6 5002850 TB-06R-SU3+LENTE 230VAC-90°C	1
37.39	189023	IGNITION TRANS. COFI TRG1230-D4M 2x6kV 230V-50Hz	1

37.40	190014_2	CONTACTOR LOVATO BF26.00 A230 230V-50:60Hz	2
37.41	190019	CONTACTOR LOVATO BG0610A230 AC3=2.2KW 230V-50:60Hz	1
37.6	111001	BASE CONTROL BOX SIEMENS AGK11	1
37.7	111006	BASE RELAY FINDER 90.26	1
37.8	118400	SOCKET SHIELD VC1102A00300S (BLACK) (2 POLES+T)	1
37.9	118417	SOCKET SHIELD VC1202A00300S (GREY) PG9(3 POLI+T)ALTA	1
38	072007	INSTRUCTIONS HEAVY OIL _3 IT FBR-	1
39	076025	DECLARATION OF INDUSTRIAL CONFORMITY - IGEFD FBR-	1
40	077015	INSTRUCTIONS-GEFRAN 400 - IGEF SL-	1
41	078054	ELECTRICAL DIAGRAM BURNER	1
42	101017_2	CONTROL BOX SIEMENS LMO44.255C2 230V-50:60Hz	2
42.1	077114	CONTROL BOX INSTRUCTIONS SIEMENS-7130	1
43	101528	REGULATOR GEFAN 400-R-R-1 100:240VAC-50:60Hz	1
43.	077015	INSTRUCTIONS-GEFRAN 400 - IGEF SL-	1
44	111002	STILL-CABLE CONTROL BOX SIEMENS AGK66	1
45	111013	BASE FR SIEMENS QRB1	1
46	158907	MOTOR SOGA MEC 80-B3:B14-4P 1.1KW 230:400V-50:60Hz	1
47	158932	MOTOR FIMEC MEC 112-B5-2P 7.5KW 230:400V-50:60Hz	3
49	172113_2	PRESSURE SWITCH KROM DG10B-3 1-10mbar	2
50	176017	RELAY THERMAL LOVATO RF38.1800 (13-18A)	1
51	177127	HEATER 220V-30W D6.5-LR=38-L=2400	1
52	177129	HEATER 220V-50W D12-LR=50-L=200	1
54	185853	PROBE OF TEMPERATURE GEFAN	1
55	187003	TIMER CROUZET OA2R1 0.1s:100h-8A 24:240V-50:60Hz	1
56	190003_2	CONTACTOR LOVATO BF32.00 A230 230V-50:60Hz	2
57	191204	THERMOSTAT IMIT 542422 TC2 0-160°C	1
58	191342	FILTER RADIONOISE FC710Y2F 0.1uF(X2)+2x4-7nF+2.2MOhm-250V	1
62	229710	GASKET FLANGE BURNER	1
65	244233	SPRING TO CYLINDRICAL HELIX 1x6.2x7	1
76	291068	FAN D340x125 RD HUB D28	1