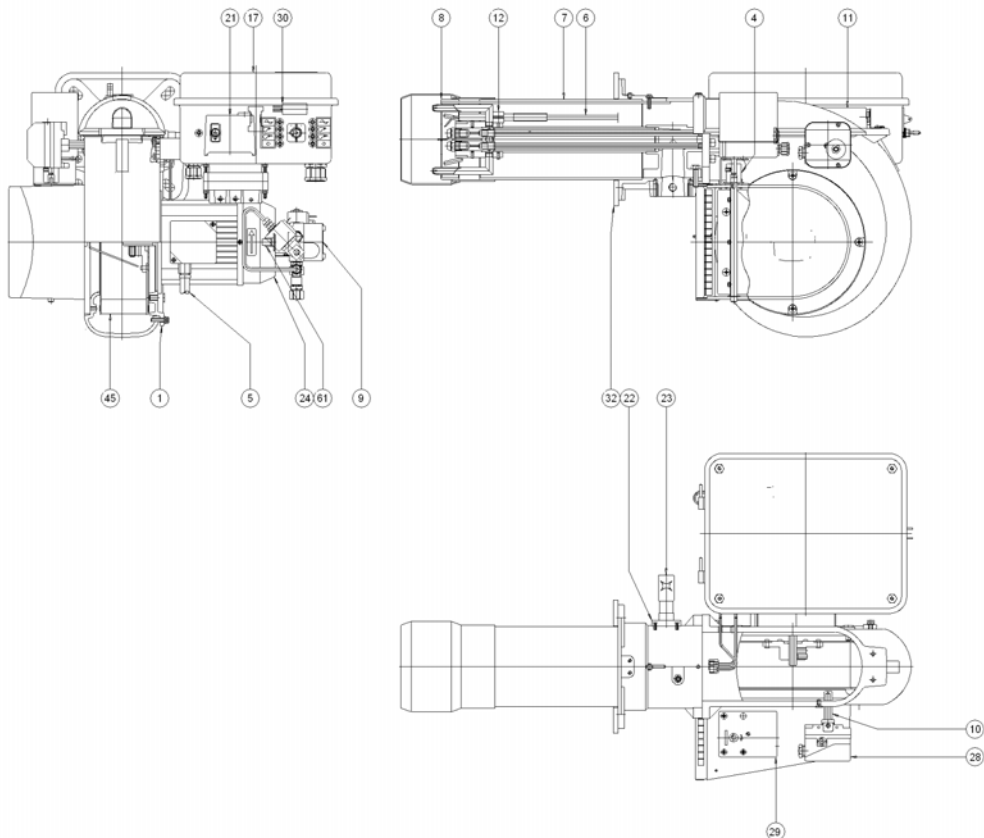




004023_1E
DUAL FUEL BURNER_2



Code Descriptions

Minimum Purchase Quantity

Code	Descriptions	Minimum Purchase Quantity
1	013036 SUPPORT MOTOR	1
4	031299 JOINT SERVOMOTOR D8	1
5	040117 MOTOR'S CABLE	1
6	040290 IGNITION CABLE CARBON Sez.1-D7 D6.35-D4	1
7	051142 BLAST TUBE GR.WELDED	1
8	051146 REGULATION COMBUSTION HEAD GR.WELDED	1
9	052487 GR.PUMP 230V-50Hz	1
9.13	258024 POMP DELTA V4LR2.4-RS	1
10	052681 ATTACK PRESSURE SWITCH AIR GR.WELDED	1
9.5	111218 COIL PARKER ZB09 230V-50:60Hz	1
9.6	132011 BODY SOLENOID VALVE POMP PARKER PM141AV 1:8P-1.5-15bar	1
9.7	132023 SOLENOID VALVE PARKER VE1311V-KT09 230V-50Hz	1

9.7.1	111244	COIL PARKER KT09 230V-50Hz	1
11	053559	GR.BURNER'S BODY COVER	1
11.3	274000	GR.FLAME WINDOW	1
12	053949	KIT COMBUSTION HEAD	1
12.10	133206	IGNITION ELECTRODE LIGHT-OIL	1
12.11	133207	IGNITION ELECTRODE GAS	1
12.8	051143	FLAME DISK GR.WELDED	1
12.8.1	021089	FLAME DISK	1
12.9	054231	NOZZLE-HOLDER GR.WELDED	1
14	054149	BURNER'S ACCESSORIES	1
14.1	224502	FILTER FAG 20201-PL 0.1-D3:8P-(30-80L)	1
14.1.1	210000	HEATER GIULIANI 70301 0.1	1
14.3	278002	PIPE FLEX DN10-1200 MF 3:8P-3:8P	1
17	060113	BURNER'S ELECTRICAL PANEL 3ac400V-1Nac230V-50Hz	1
17.11	139220	FUSE IN GLASS D5X20-5A-250V RAPID	1
17.13	148000	SWITCH ONE POLES TO LEVER	1
17.14	148006	SWITCH FOUR POLES TO LEVER	1
17.15	148009	COVER COMMAND TO LEVER	1
17.28	183550_2	GREEN LAMP D6 5002724 TB-06R-SU3+LENTE 230VAC-90°C	2
17.29	183550	RED LAMP D6 5002850 TB-06R-SU3+LENTE 230VAC-90°C	1
17.30	190019	CONTACTOR LOVATO BG0610A230 AC3=2.2KW 230V-50:60Hz	1
17.32	191340_3	IGNITION TRANS. COFI TRS1020-D4 2x5kV 230V-50Hz	3
17.33	191341_5	IGNITION TRANS. COFI TRS820P-8-D4 1x8kV 230V-50Hz	5
17.34	192320_3	RELAY THERMAL SIEI-TKM-2R (2.5-4A)	3
17.5	111276	BASE CONTROL BOX SATRONIC S98-12-POL-75310	1
17.6	111277	STILL-CABLE CONTROL BOX SATRONIC PG-70502	1
17.7	118400	SOCKET SHIELD VC1102A00300S (BLACK) (2 POLES+T)	1
17.8	118405	SOCKET WIELAND ST18-6 (6 POLES.T)	1
17.9	118417	SOCKET SHIELD VC1202A00300S (GREY) PG9(3 POLI+T)ALTA	1
18	073505	DUAL FUEL INSTRUCTIONS _2 IT FBR-	1
19	076027	DECLARATION OF INDUSTRIAL CONFORMITY - IGEFD FBR-	1
20	078069	ELECTRICAL DIAGRAM BURNER	1
21	101543	CONTROL BOX HONEYWELL MMG810.1 mod.33 230V-50Hz	1
21.1	077055	CONTROL BOX INSTRUCTIONS HONEYWELL-MMG810-811.1	1
22	111279	BASE FC SATRONIC UVZ-18807	1
23	134002	PHOTOELECTRIC CELL UV SATRONIC UVZ 780 RED-18813	1
24	158837	MOTOR SIMEL 3030-32-N2-2P 740W 230:400V-50Hz	1
28	172107_3	PRESSURE SWITCH AIR KROM DL5A-3-32Z 0.4-6MBAR	3
29	183301	SERVOMOTOR SIEMENS SQN30.111A2700 230V-50:60Hz	1
30	191342	FILTER RADIONOISE FC710Y2F 0.1uF(X2)+2x4-7nF+2.2MOhm-250V	1
32	229707	GASKET FLANGE BURNER	1
45	291009	FAN (VECO) D240x79 RS HUB D12.7	2
61	547000	JOINT MOTOR-POMP SIMEL	1