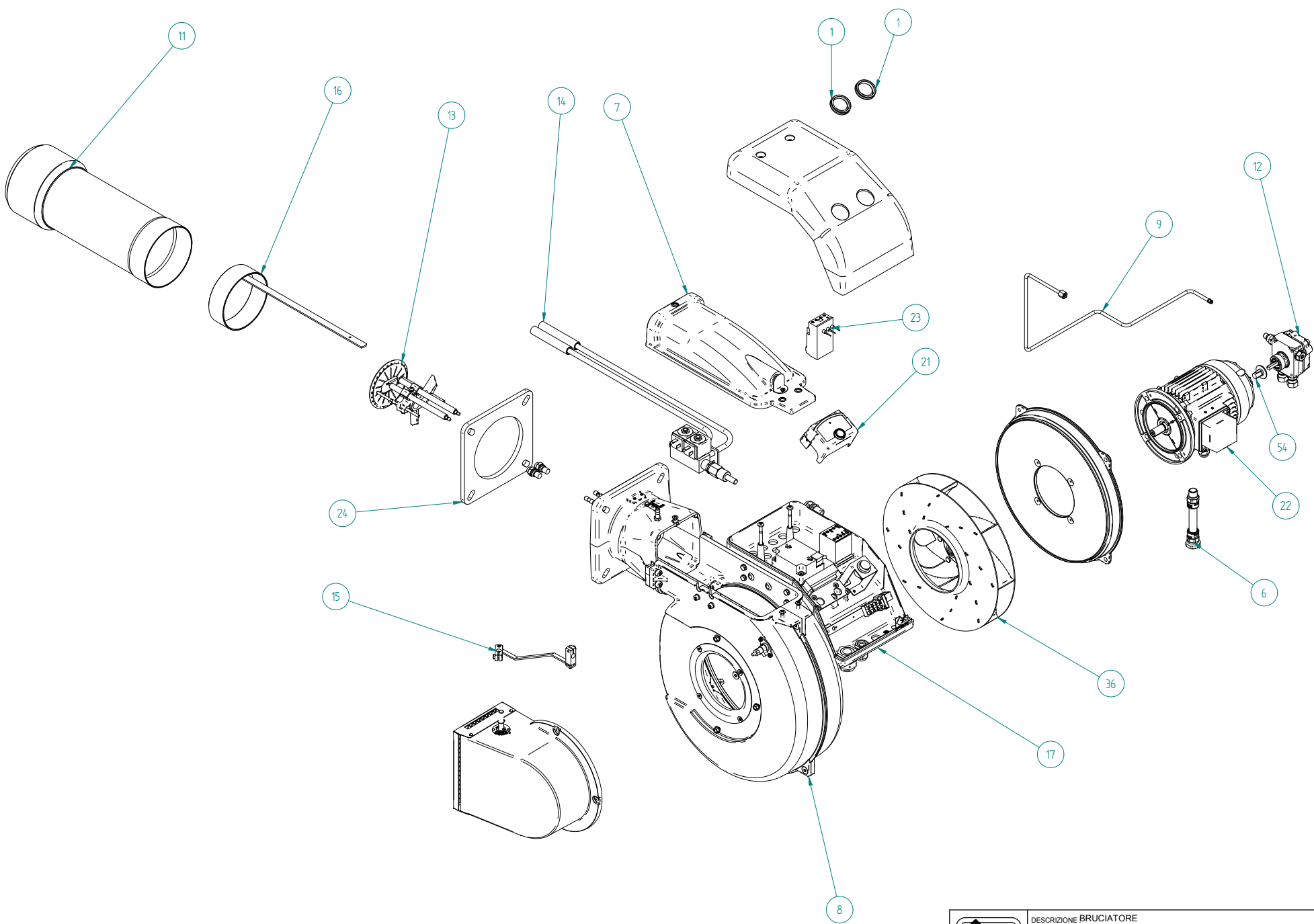



Identificazioni delle caratteristiche:
 caratteristiche critiche (classe A) : #
 caratteristiche importanti (classe B) : #
 caratteristiche secondarie (classe C) :

Quote senza indicaz. di tolleranza
 UNI EN 22768-C



		DESCRIZIONE BRUCIATORE			
		MODELLO: FGP 50/2 TL EVO			
Disegnato	Contr.-Approv.	Allim:	3ac400V-1Nac230V-50Hz		
Data	26/08/2019	26/08/2019	Scala	##	
Firma	Magnabosco K. Ambrosini G.		1:5	COD._V.R.	
				001665_1C	

QUESTO DISEGNO È PROPRIETÀ DI F.B.R. BRUCIATORI S.R.L. - VIETATA LA RIPRODUZIONE - NON RILEVARE QUOTE DAL DISEGNO
 THIS DRAWING IS PROPERTY OF F.B.R. BURNERS S.R.L. - UNAUTHORIZED COPY DENIED - DO NOT DIMENSION FROM THE DRAWING

POS	CODICE	VER	DESCRIZIONE
1	011282	1	TRANSPARENT COVER - CONTROL BOX RELEASE
5	040281	2	IGNITION CABLE SILICONE Sez.1-D7 D6.35-D4
6	040354	1	MOTOR'S CABLE
7	050069	2	GROUP BURNER'S BODY COVER
7.4	274000	1	GR.FLAME WINDOW
8	050083	1	GROUP BURNER'S BODY
8.1	013019	1	BURNER'S BODY
8.1.1	013019V		BURNER'S BODY
8.2	020209	1	CONVEYER De127x20
8.3.1	013023	1	
9	050144	1	GROUP PIPELINE DELIVERY PUMP-GR.VALVES (SIMEL-SUNTEC)
10.1.2	220004	1	BUCKLE FLANGED FB1 D10X12X18X1X9
11	051383	1	BLAST TUBE GR.WELDED
12	052193	1	GR.PUMP (SUNTEC)
12.5	258015	1	PUMP SUNTEC AN67C-1336-6P
13	052370	1	COMBUSTION HEAD D105
13.1	013311	1	FLAME DISK SUPPORT
13.3	052371	1	FLAME DISK GR.WELDED
13.4	133229	1	IGNITION ELECTRODE
14	052885	1	GROUP NOZZLES-HOLDER
14.1	031252	1	HYDRAULIC JACK SLEEVE
14.3	031407	1	HYDRAULIC JACK STEM
14.4	052883	1	NOZZLES-HOLDER GR.WELDED
14.5	132018	1	GR.MAGNET GM 133.1V-ZB09 230V-50:60Hz
14.7	229303	2	GASKET DE043 DALMAR-VITON
14.8	244203	1	SPRING TO CYLINDRICAL HELIX 1.3x13.2x47
15	052888	2	GROUP CONNECTING ROD
16	052906	3	REGULATION COMBUSTION HEAD GR.WELDED
17	060044	1	BURNER'S ELECTRICAL PANEL 3ac400V-1Nac230V-50Hz
17.5	078578	1	ELECTRICAL DIAGRAM BURNER
17.6	111001	1	BASE CONTROL BOX SIEMENS AGK11
17.7	114048	2	LED SOCKET SHIELD GREEN (2 POLES+T)
17.8	134066	1	PHOTODIODE SIEMENS QRB4B-B050B70A L=500mm
17.9	139220	1	FUSE IN GLASS D5X20-5A-250V RAPID
17.10	148081	1	SWITCH TWO POLES LIGHTING GREEN
17.21	189005	1	IGNITION TRANSFORMER DANFOSS EBI4 052F4031 230V-50:60Hz
17.22	189006	1	CABLE+CONNECTOR M-TR-DANFOSS L300
17.23	190019	4	CONTACTOR LOVATO BG0610A230 AC3=2.2KW 230V-50:60Hz
18	070002	1	INSTRUCTIONS LIGHT OIL_2 IT FBR-
19	076020	1	DECLARATION OF CONFORMITY - IGEFD FBR-
20	078578	1	ELECTRICAL DIAGRAM BURNER
21	101017	2	CONTROL BOX SIEMENS LMO44.255C2 230V-50:60Hz
22	158012	1	MOTOR 7-3030-32-2P 740W 230:400V-50:60Hz
22.1	220016	1	BEARING SKF 6202-2Z



ELENCO RICAMBI

Cod:001665 Ver:1 RDoc:A - BRUCIATORE

Mod.: FGP 50/2 TL EVO

3ac400V-1Nac230V-50Hz

POS	CODICE	VER	DESCRIZIONE
23	176011	2	RELAY THERMAL (1.4-2.3A)
24	229015	1	GASKET FLANGE BURNER
30	252063	1	OR 5-582 D5.70x1.90-VITON
36	291014	1	FAN øe=318mm
54	547000	1	JOINT MOTOR-POMP SIMEL