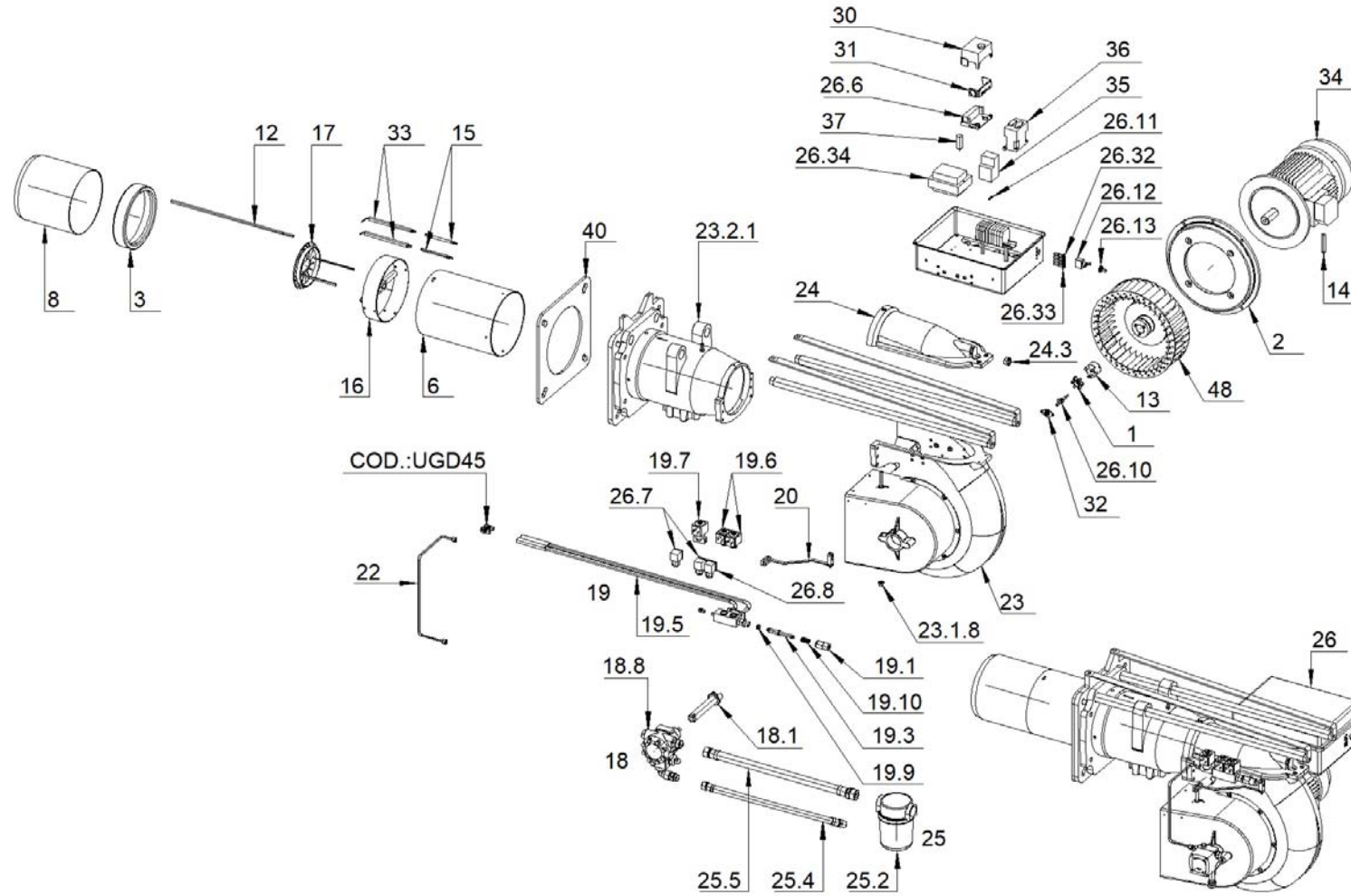


001052\_1E

BURNER LIGHT-OIL\_2



001052\_1E

BURNER LIGHT-OIL\_2

Pos.	Code	Descriptions	Minimum Purchase Quantity
1	011187	JOINT ELASTIC D39.5	1
2	013068	SUPPORT MOTOR	1
3	013070	RING REGULATION COMBUSTION HEAD	1
6	021051	BLAST TUBE SUPPORT	1
8	021273	TERMINAL BLAST TUBE	1
12	031439	ROD REGULATION COMBUSTION HEAD	1
13	031573	JOINT MOTOR SIDE	1
14	040235	MOTOR'S CABLE	1
15	040291	IGNITION CABLE CARBON Sez.1-D7 D6.35-D4	1
16	051150	FLAME DISK SUPPORT GR.WELDED	1
17	051495	FLAME DISK GR.WELDED	1
18	052099	GR.POMP	1
18.1	032441	JOINT POMP SIDE	1
18.8	258010	POMP SUNTEC J7-CAC-1001-4P	1
18.8.1	590001	GASKETS KIT SEAL POMP SUNTEC J-E :993473	1
19	052155	GR.NOZZLES-HOLDER 230V-50:60Hz	1
19.1	031252	HYDRAULIC JACK SLEEVE	1
19.10	244204	SPRING TO CYLINDRICAL HELIX 1.4x13.2x52	1
19.3	031628	HYDRAULIC JACK STEM	1
19.5	052144	NOZZLES-HOLDER GR.WELDED	1
19.6	132018	GR.MAGNET GM 133.1V-ZB09 230V-50:60Hz	1
19.6.1	111218	COIL PARKER ZB09 230V-50:60Hz	1
19.7	132024	SOLENOID VALVE PARKER VE146FV-ZB09 1:8P 230V-50:60Hz	1
19.7.1	111218	COIL PARKER ZB09 230V-50:60Hz	1

001052\_1E

BURNER LIGHT-OIL\_2

Pos.	Code	Descriptions	Minimun Purchase Quantity
19.9	229302_2	GASKET DE056 DALMAR - VITON	1
20	052181	GR.CONNECTING ROD	1
22	053006	GR.PIPELINE DELIVERY POMP-GR.VALVES	1
23	053520	GR.BURNER'S BODY	1
23.1.8	220004	BUCKLE FLANGED FB1 D10X12X18X1X9	1
23.2.1	013206	FLANGE BLAST TUBE	1
24	053561	GR.BURNER'S BODY COVER	1
24.3	274000	GR.FLAME WINDOW	1
25	054118	BURNER'S ACCESSORIES	1
25.2	224509	FILTER GIULIANI 70101-AL 0.1-D1P	1
25.4	278004	PIPE FLEX DN13-1200 MF 1:2P-1:2P	1
25.5	278012	PIPE FLEX DN19-1200 MF 1P-3:4P	1
26	060026	BURNER'S ELECTRICAL PANEL 3ac400V-1Nac230V-50Hz	1
26.10	139107	PHOTORESISTANCE SIEMENS A7G1034415 BLACK L=500	1
26.11	139220	FUSE IN GLASS D5X20-5A-250V RAPID	1
26.12	148000	SWITCH ONE POLES TO LEVER	1
26.13	148009	COVER COMMAND TO LEVER	1
26.32	183550_2	GREEN LAMP D6 5002724 TB-06R-SU3+LENTE 230VAC-90°C	2
26.33	183550	RED LAMP D6 5002850 TB-06R-SU3+LENTE 230VAC-90°C	1
26.34	191340_3	IGNITION TRANS. COFI TRS1020-D4 2x5kV 230V-50Hz	3
26.6	111001	BASE CONTROL BOX SIEMENS AGK11	1
26.7	118400	SOCKET SHIELD VC1102A00300S (BLACK) (2 POLES+T)	1
26.8	118417	SOCKET SHIELD VC1202A00300S (GREY) PG9(3 POLI+T)ALTA	1
27	070023	INSTRUCTIONS LIGHT OIL _2 IT FBR-	1

001052\_1E

BURNER LIGHT-OIL\_2

Pos.	Code	Descriptions	Minimun Purchase Quantity
28	076020	DECLARATION OF CONFORMITY - IGEFD FBR-	1
29	078038	ELECTRICAL DIAGRAM BURNER	1
30	101017_2	CONTROL BOX SIEMENS LMO44.255C2 230V-50:60Hz	2
30.1	077114	CONTROL BOX INSTRUCTIONS SIEMENS-7130	1
31	111002	STILL-CABLE CONTROL BOX SIEMENS AGK66	1
32	111013	BASE FR SIEMENS QRB1	1
33	133229	IGNITION ELECTRODE	1
34	158862	MOTOR SOGA MEC 112-B5-2P 4KW 230:400V-50:60Hz	1
35	176016	RELAY THERMAL LOVATO RF38.1400 (9-14A)	1
36	190006_2	CONTACTOR LOVATO BF18.T4 A230 230V-50:60Hz	2
37	191342	FILTER RADIONOISE FC710Y2F 0.1uF(X2)+2x4-7nF+2.2MOhm-250V	1
40	229702	GASKET FLANGE BURNER	1
48	291078_2	FAN D300x90 RS HUB D28	2
48.1	291039_2	FAN (VECO) D300x90 RS HUB D28-CH	2
UGD45	UGD45	Nozzle	1