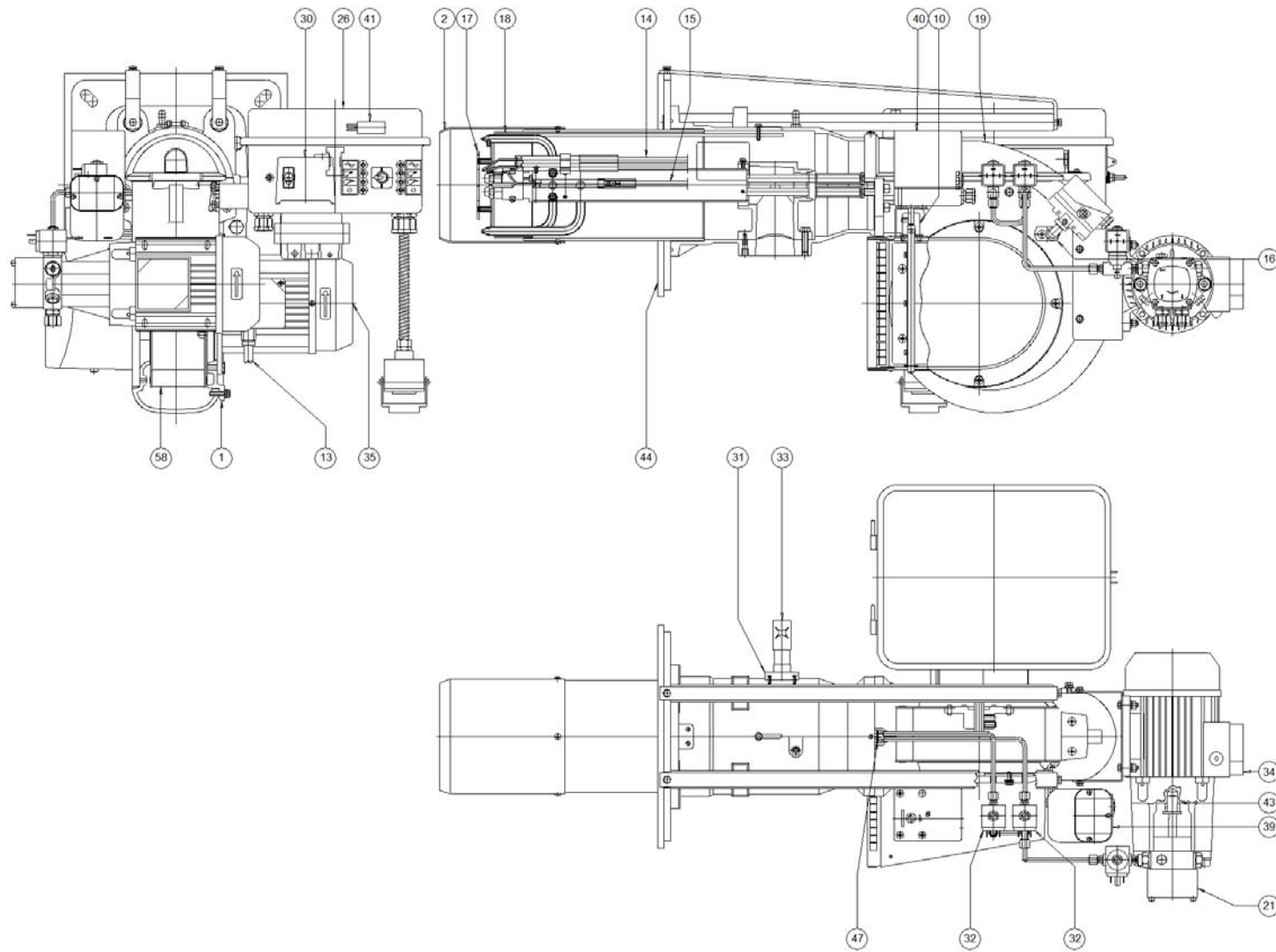


004025_1F

DUAL FUEL BURNER_2



004025_1F

DUAL FUEL BURNER_2

Pos.	Code	Descriptions	Minimun Purchase Quantity
1	013036	SUPPORT MOTOR	1
2	021082	TERMINAL BLAST TUBE FGP70/2	1
10	031299	JOINT SERVOMOTOR D8	1
13	040116	MOTOR'S CABLE	1
14	040290	IGNITION CABLE CARBON Sez.1-D7 D6.35-D4	1
15	040294	IGNITION CABLE CARBON Sez.1-D7 D6.35-D4	1
16	052681	ATTACK PRESSURE SWITCH AIR GR.WELDED	1
17	053263	KIT COMBUSTION HEAD	1
17.10	053256	FLAME DISK GR.WELDED	1
17.12	133232	IGNITION ELECTRODE	1
17.13	133258	IGNITION ELECTRODE GAS	1
17.15	252034	OR S D9.10x1.60-VITON	1
18	053265	REGULATION COMBUSTION HEAD GR.WELDED	1
19	053559	GR.BURNER'S BODY COVER	1
19.3	274000	GR.FLAME WINDOW	1
21	053985	GR.POMP	1
21.2	132024	SOLENOID VALVE PARKER VE146FV-ZB09 1:8P 230V-50:60Hz	1
21.2.1	111218	COIL PARKER ZB09 230V-50:60Hz	1
21.7	258007	POMP SUNTEC AJ6-AC-1000-4P	1
21.7.1	229740	GASKET COVER POMP SUNTEC AJ4-AJ6 :270112	1
21.7.2	542004	FILTER POMP SUNTEC 270087	1
22	054149	BURNER'S ACCESSORIES	1
22.1	224502	FILTER FAG 20201-PL 0.1-D3:8P-(30-80L)	1
22.1.1	210000	HEATER GIULIANI 70301 0.1	1

004025_1F

DUAL FUEL BURNER_2

Pos.	Code	Descriptions	Minimun Purchase Quantity
22.3	278002	PIPE FLEX DN10-1200 MF 3:8P-3:8P	1
26	060269	BURNER'S ELECTRICAL PANEL 3ac400V-1Nac230V-50Hz	1
26.10	118425	SOCKET ILME IL CNEF06T	1
26.11	118436	CASE ILME IL CHV06LG	1
26.13	139220	FUSE IN GLASS D5X20-5A-250V RAPID	1
26.15	148000	SWITCH ONE POLES TO LEVER	1
26.16	148006	SWITCH FOUR POLES TO LEVER	1
26.17	148009	COVER COMMAND TO LEVER	1
26.36	183550_2	GREEN LAMP D6 5002724 TB-06R-SU3+LENTE 230VAC-90°C	2
26.37	183550	RED LAMP D6 5002850 TB-06R-SU3+LENTE 230VAC-90°C	1
26.38	190019_3	CONTACTOR DANFOSS CI4-9 230V-50:60Hz	3
26.40	191340_3	IGNITION TRANS. COFI TRS1020-D4 2x5kV 230V-50Hz	3
26.41	191341_5	IGNITION TRANS. COFI TRS820P-8-D4 1x8kV 230V-50Hz	5
26.42	192320_3	RELAY THERMAL SIEI-TKM-2R (2.5-4A)	3
26.6	111276	BASE CONTROL BOX SATRONIC S98-12-POL-75310	1
26.7	111277	STILL-CABLE CONTROL BOX SATRONIC PG-70502	1
26.8	118400	SOCKET SHIELD VC1102A00300S (BLACK) (2 POLES+T)	1
26.9	118417	SOCKET SHIELD VC1202A00300S (GREY) PG9(3 POLI+T)ALTA	1
27	073506	DUAL FUEL INSTRUCTIONS _2 IT FBR-	1
28	076027	DECLARATION OF INDUSTRIAL CONFORMITY - IGEFD FBR-	1
29	078070	ELECTRICAL DIAGRAM BURNER	1
30	101543	CONTROL BOX HONEYWELL MMG810.1 mod.33 230V-50Hz	1
30.1	077055	CONTROL BOX INSTRUCTIONS HONEYWELL-MMG810-811.1	1
31	111279	BASE FC SATRONIC UVZ-18807	1

004025_1F

DUAL FUEL BURNER_2

Pos.	Code	Descriptions	Minimun Purchase Quantity
32	132023	SOLENOID VALVE PARKER VE131IV-KT09 230V-50Hz	1
32.1	111244	COIL PARKER KT09 230V-50Hz	1
33	134002	PHOTOELECTRIC CELL UV SATRONIC UVZ 780 RED-18813	1
34	158109	MOTOR SIMEL 16-3012-2P 370W 230:400V-50Hz	1
35	158811	MOTOR SIMEL 4-3038-N2-2P 1.1KW 230:400V-50Hz-4.7:2.7A-CL.B	1
39	172107_3	PRESSURE SWITCH AIR KROM DL5A-3-32Z 0.4-6MBAR	3
40	183301	SERVOMOTOR SIEMENS SQN30.111A2700 230V-50:60Hz	1
41	191342	FILTER RADIONOISE FC710Y2F 0.1uF(X2)+2x4-7nF+2.2MOhm-250V	1
43	226236	JOINT MOTOR-POMP SIMELJOINT MOTOR-POMP SIMEL	1
44	229712	GASKET FLANGE BURNER	1
47	252005	OR 2015-102 D3.69x1.78-VITON	1
58	291009	FAN (VECO) D240x79 RS HUB D12.7	2