

BLU 1700.1 PRE
BLU 2000.1 PRE



Technical data
Dati tecnici
Données techniques
Datos técnicos
Технические характеристики
Technische Daten



Operating instructions
Istruzioni per l'uso
Notice d'emploi
Manual de uso
Руководство по эксплуатации
Betriebsanleitung



Electric diagrams
Schemi elettrico
Schémas électrique
Esquemas eléctrico
Электрические схемы
Elektro Schalt- und Anschlussschemata



Spare parts list
Parti ricambi
Pièces de rechange
Piezas de recambio
Запчасти
Ersatzteilliste



420010829501

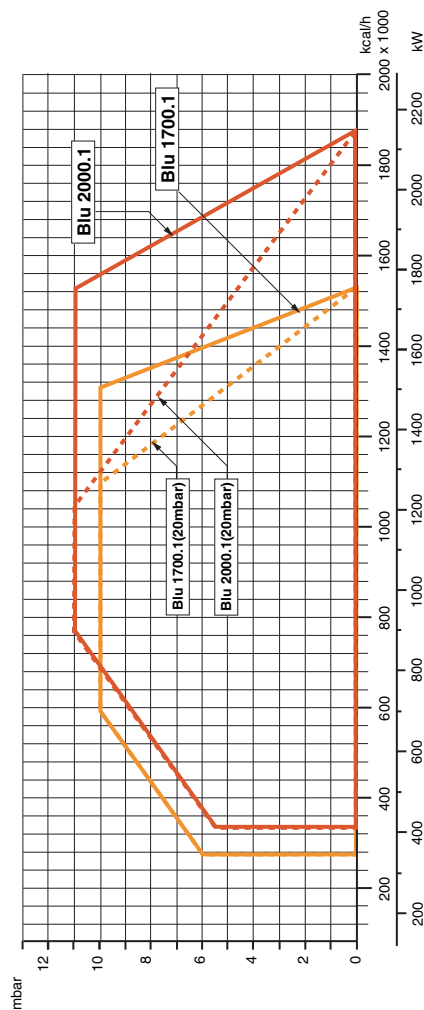
BLU 1700.1 PRE TC	3145120
BLU 1700.1 PRE TL	3145121
BLU 2000.1 PRE TC	3145122
BLU 2000.1 PRE TL	3145123

Overview - Index of contents / Panoramica - Indice dei contenuti / Vue d'ensemble - Table des matières
Descripción - Sumario / Обзор - Содержание / Überblick - Inhaltsverzeichnis

<p>Technical data Dati tecnici Données techniques Datos técnicos Технические характеристики Technische Daten</p>	<p>EN IT FR ES RU DE</p>	<p>3</p>
<p>Working diagrams Campi di lavoro Domaine de fonctionnement Ámbito de funcionamiento Рабочий диапазон Arbeitsfeld</p>	<p>EN IT FR ES RU DE</p>	<p>4</p>
<p>Dimensions Dimensioni Dimensions Dimensiones Размеры Größe</p>	<p>EN IT FR ES RU DE</p>	<p>5</p>
<p>Operating instructions for authorised specialists</p>	<p>EN</p>	<p>6 - 15</p>
<p>Istruzione per l'uso per il personale qualificato</p>	<p>IT</p>	<p>16 - 25</p>
<p>Notice d'emploi pour l'installateur spécialiste</p>	<p>FR</p>	<p>26 - 35</p>
<p>Instrucciones de montaje para el instalador especialista</p>	<p>ES</p>	<p>36 - 45</p>
<p>Инструкция по эксплуатации Предназначено для квалифицированных специалистов по установке</p>	<p>RU</p>	<p>46 - 55</p>
<p>Betriebsanleitung Für die autorisierte Fachkraft</p>	<p>DE</p>	<p>56 - 65</p>
<p>Gas pressure loss diagrams Diagramma perdita di pressione Diagrammes perte de pression de gaz Diagramas de pérdida de presión Диagramма перепада давления газов Druckverlust-Diagramm</p>	<p>EN IT FR ES RU DE</p>	<p>66 - 69</p>
<p>Electric diagrams Schemi elettrico Schémas électrique Esquemas eléctrico Электрические схемы Elektrische Diagramme</p>	<p>EN IT FR ES RU DE</p>	<p>70 - 71</p>
<p>Spare parts list Parti di ricambio Pièces de rechange Piezas de recambio Запчасти Ersatzteilliste</p>	<p>EN IT FR ES RU DE</p>	<p>72 - 74</p>

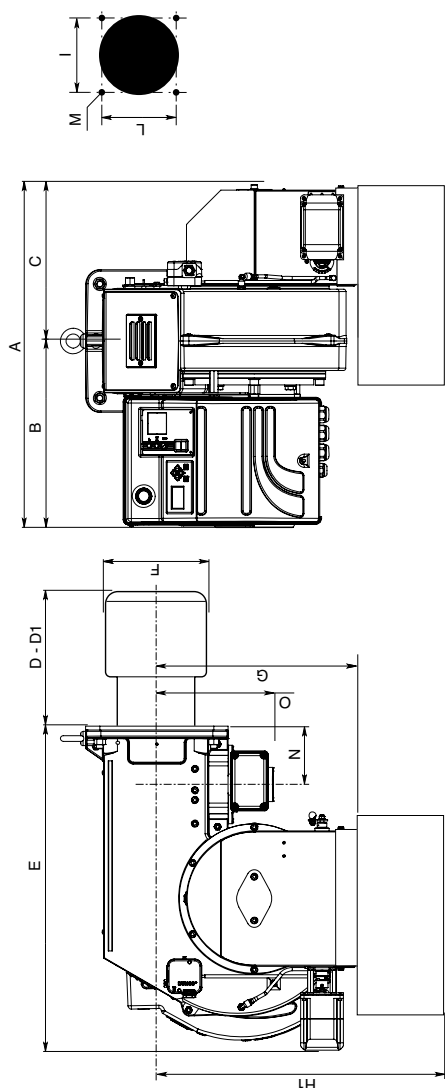
Technical data - Dati tecnici - Données techniques - Datos técnicos - Технические характеристики - Technische Daten			BLU 1700.1 PRE		BLU 2000.1 PRE	
Burner output max/min kW - kcal/h	Potenza bruciatore max/min kW - kcal/h	Puissance du brûleur max/min kW - kcal/h	Potencia del quemador max/min kW - kcal/h	Мощность горелки макс./мин., кВт - ккал/час	Brennerleistung max/min kW - kcal/h	414
Operation stage	Funzionamento	Fonctionnement	Funcionamiento	Модификация	Betrieb	2150
Regulating ratio	Rapporto di regolazione	Rapport de régulation	Relación de regulación	Коэффициент регулирования	Regelverhältnis	1.4
Fuel	Combustibile	Fuel	Combustible	Топливо	Kraftstoff	Natural Gas (L.C.V. 8.570 kcal/Nm ³), (G20) Hu = 10,35 kWh/m ³ - (G25) Hu = 8,83 kWh/m ³
Emission class	Classe di emissione	Classe d'émission	Tipo de emisión	Класс выделения загрязняющих веществ	Emissionsklasse	Standard Class 2 - GAS EN676 (<120 mg/kWh)
Control box	Apparecchiatura di controllo	Coffret de sécurité	Cajetín de seguridad	Блок управления и безопасности	Feuerungsautomat	LAMTEC BT320
Gas train	Rampa gas	Rampe gaz	Rampa de gas	Газовая рампа	Gasarmatur	GAS TRAIN TABLE - DIFFERENT MODELS / CONFIGURATIONS
Gas connection	Allacciamento gas	Raccordement gaz	Conexión de gas	Подсоединение газа	Gasanschluss	Rp 20 3/4" - Rp 25 1" - Rp 32 1"1/4 - Rp 40 1"1/2 - Rp 50 2"
Gas input pressure	Pressione di ingresso gas	Pression d'entrée du gaz	Presión de entrada del gas	Давление газа на входе	Gaseingangsdruck	SEE GAS TRAIN MATCHING TABLE
Air regulation Air flap	Regolazione aria Serranda dell'aria	Réglage de l'air Volet d'air	Ajuste del aire Válvula de aire	Настройка подачи воздуха Воздушная заслонка	Luftregulierung Luftklappe	1
Flame monitor	Rivelatore di fiamma	Surveillance de flamme	Vigilancia de llama	Контроль пламени	Flammenwächter	ionization
Ignition transformer	Trasformatore d'accensione	Allumeur	Encendedor	Устройство розжига	Zündtransformator	cofi
Electric motor rpm - watt	Motore elettrico giri motore - watt	Moteur rpm - watt	Motor rpm - watt	Электродвигатель об/мин - watt	Elektromotor rpm - watt	2800 rpm 3000 W 4000 W
Voltage	Tensione	Tension	Tensión	Напряжение	Spannung	230-400 V / 50 Hz
Power consumption (operation)	Potenza elettrica assorbita (Esercizio)	Puissance électrique absorbée (en service)	Potencia eléctrica absorbida (en funcionamiento)	Потребляемая электрическая мощность: (при работе)	Elektrische Leistungsaufnahme (Betrieb)	4500 W 5500 W
Weight	Peso	Poids	Peso	Приблизительная масса	Gewicht	145 kg 170 kg
Protection level	Classe di protezione	Indice de protection	Indice de protección	Класс электрозащиты	Schutzart	IP40
Sound pressure level dB(A)	Livello pressione sonora dB(A)	Niveau pression acoustique dB(A)	Nivel de presión acústica dB(A)	Уровень шума, dB(A)	Schalldruckpegel dB(A)	78,6
Ambient temp. for storage	Temperatura ambiente di stoccaggio	Température ambiante de stockage	Temperatura ambiente de almacenamiento	температура хранения	Umgebungstemperatur	-20° ... +70° C
Temperature for use	Temperatura d'utilizzazione	Température d'utilisation	Temperatura ambiente de utilización	Рабочая температура	Betriebstemperatur	-10° ... +60° C

Overview - Working diagrams / Panorámica - Curve / Vue d'ensemble - Domaine de fonctionnement / Descripción - Ámbito de funcionamiento /
Обзор - Рабочий диапазон / Überblick - Arbeitsfeld

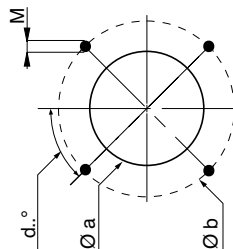


Working diagram	Curva	Domaine de fonctionnement	Ámbito de funcionamiento	Рабочий диапазон	Arbeitsfelder
The working diagram shows burner output as a function of combustion chamber pressure. It corresponds to the maximum values specified by EN 676 measured at the test fire tube. The efficiency rating of the boiler should be taken into account when selecting a burner.	Il campo di attività indica la potenza del bruciatore in funzione della pressione della camera di combustione. Corrisponde ai valori massimi previsti dalla norma EN 676 misurati sul tubo della fiamma di controllo. In occasione della scelta del bruciatore si deve tenere conto del rendimento energetico della caldaia.	Le domaine de fonctionnement correspond aux valeurs mesurées lors de l'homologation. Elle correspond aux valeurs max mesurées sur tunnel d'essai d'après l'EN 676. Pour le choix du brûleur, tenir compte du rendement de la chaudière.	El ámbito de funcionamiento corresponde a los valores registrados en el momento de la homologación. Corresponde a los valores máx medidos en el túnel de ensayo según la EN 676. Para la elección del quemador, se ha de tener en cuenta el rendimiento de la caldera.	Рабочий диапазон показывает производительность горелки в зависимости от давления в топочной камере. Он соответствует максимальным значениям согласно EN 676, измеренным в контрольной топочной камере. При выборе горелки необходимо учитывать КПД котла.	Das Arbeitsfeld zeigt die Brennerleistung in Abhängigkeit vom Feuerdruck. Es entspricht den Maximalwerten nach EN 676 gemessen am Prüfammenrohr. Bei der Brennerauswahl ist der Kesselwirkungsgrad zu berücksichtigen.
Calculation of burner output:	Calcolo della potenza del bruciatore:	Calcul de la puissance calorifique:	Cálculo de la potencia calorífica:	Расчет тепловой мощности:	Berechnung der Brennerleistung:
$QF = \frac{Q_N}{\eta_K}$	$QF = \frac{Q_N}{\eta_K}$	$QF = \frac{Q_N}{\eta_K}$	$QF = \frac{Q_N}{\eta_K}$	$QF = \frac{Q_N}{\eta_K}$	$QF = \frac{Q_N}{\eta_K}$
QF = Burner output (kW) QN = Rated boiler output (kW) η_K = Boiler efficiency (%)	QF= potenza bruciata (kW) QN= potenza nominale della caldaia (kW) η_K = rendimento energetico della caldaia (%)	QF= Puissance calorifique chaudière (kW) QN= Puissance nominale chaudière (%)	QF = Potencia calorífica (kW) QN = Potencia nominal de la caldera (kW) η_K = Rendimiento de la caldera (%)	QF = Тепловая мощность котла, кВт QN = Номинальная мощность котла, кВт η_K = КПД котла, %	QF = Brennerleistung (kW) QN = Kesselennleistung (kW) η_K = Kesselwirkungsgrad (%)

Overview - Dimensions / Panoramica - Dimensioni / Vue d'ensemble - Dimensions / Descripción - Dimensiones /
Обзор - Размеры / Überblick - Größe



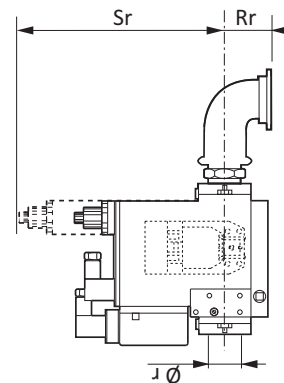
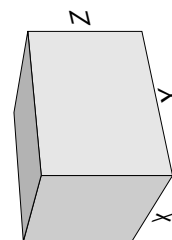
Model	A	B	C	D	D1	E	F	G	H1	I	L	M	N	O
BLU1700.1 PRE	724	393	331	340	540	682	250	420	680	240	240	M14	125	250
BLU 2000.1 PRE	724	393	331	345	545	682	270	420	680	240	240	M14	125	250



Model	Ø a	Ø b	d°
BLU 1700.1 PRE	280	339,5	45°
BLU 2000.1 PRE	280	339,5	45°

Packaging

Model	X	Y	Z	kg
BLU 1700.1 PRE	920	1290	720	159
BLU 2000.1 PRE	920	1290	720	175



GAS TRAIN DIMENSIONS:
refer to GT manual

Contents - Index - General warnings - Conformity declaration

Overview	Technical data	3
	Working diagrams	4
	Dimensions	5
Contents	Index	6
	General warnings - Conformity declaration	6
	Burner description	7
Function	General safety functions	8
	Display - Control panel	9
Installation	Burner assembly	10
	Electrical connection	11
	Checks before commissioning	11
Start up	Adjusting burner output	12
	Air pressure switch adjustment - setting gas pressostat	13
Service	Maintenance	14
	Troubleshooting	15
Overview	Gas pressure loss diagrams	66-69
	Electrical diagrams	70-71
	Spare parts list	72-74

Important notes

BLU burners are designed for the low-pollutant combustion of natural gas and Liquefied Petroleum Gas. The design and function of the burners comply with standard EN676. Assembly and commissioning must be carried out only by authorised specialists and all applicable guidelines and directives must be observed.

Burner description

BLU are progressive electronic, fully automatic, monoblock type burners. The special design of the burner head provides low-polluting combustion with high efficiency. In line with testing as defined by EN676, the values comply with emissions class 3 (NO_x<80mg/kWh) Emissions values may differ, depending on combustion chamber dimensions, combustion chamber load and the firing system (three-pass boilers, boilers with reverse firing). They are suitable for use with all heat generators complying with EN 303 or for use with hot air generators complying with DIN 4794, and DIN 30697 within their respective performance range. Use for any other application requires the approval of Ecoflam. The following standards should be observed in order to ensure safe, environmentally sound and energy-efficient operation:

EN 676

Forced-draught gas burners

EN 226

Connection of fuel oil and forced-draught gas burners to a heat generator.

EN 60335-1, -2-102

Specification for safety of household and similar electrical appliances, particular requirements for gas burning appliances.

Installation location

The burner must not be operated in rooms containing aggressive vapours (e.g. spray, perchloroethylene, hydrocarbon tetrachloride, solvent, etc.) or tending to heavy dust formation or high air humidity. Adequate ventilation must be provided at the place of installation of the furnace system to ensure a reliable supply with combustion air. Variations may arise as a result of local regulations.

We can accept no warranty liability whatsoever for loss, damage or injury caused by any of the following:

- Inappropriate use.
- Incorrect assembly or repair by the customer or any third party, including the fitting of non-original parts.

Declaration of conformity for gas burners

We,

Ecoflam Bruciatori S.p.A.

declare under our sole responsibility that the gas burners named

BLU

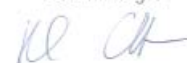
conform to the following standards:

EN 676	EN 50156-1
EN 55014-1	EN 55014-2
EN 60335-1	EN 60335-2-102
EN 61000-6-2	EN 61000-6-3

These products bear the CE mark in accordance with the stipulations of the following directives:

2014/35/UE Low Voltage Directive
2014/30/UE EMC Directive
2006/42/EC Machine directive
2011/65/EU RoHS2 directive
2009/142/CEE Gas Appliance Directive

February, 2016 / Mr. Ruben Cattaneo
 R&D manager



Provision of the system and the operating instructions

The firing system manufacturer must supply the operator of the system with operating and maintenance instructions on or before final delivery. These instructions should be displayed in a prominent location at the point of installation of the heat generator, and should include the address and telephone number of the nearest customer service centre.

Notes for the operator

The system should be inspected by a specialist at least once a year. It is advisable to take out a maintenance contract to guarantee regular servicing.

Ecoflam burners have been designed and built in compliance with all current regulations and directives.

All burners comply to the safety and energy saving operation regulations within the standard of their respective performance range. The quality is guaranteed by a quality and management system certified in accordance with ISO 9001:2008.

Contents - Burner description

BLU 2000.1 PRE TC

RANGE NAME BY FUEL TYPE

BLU

MODEL SIZE

BLU 2000.1 2000 kW

EMISSIONS

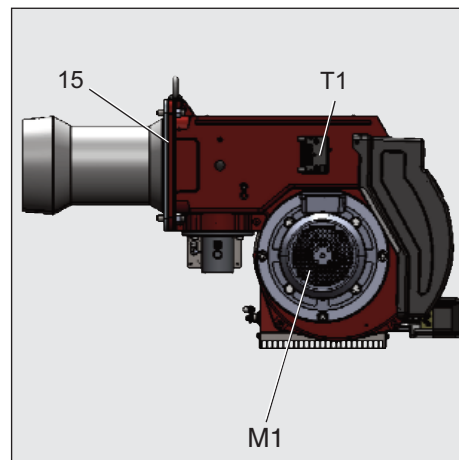
- Standard Class 2 - GAS EN676 (≤ 120 mg/kWh)
 LN Low NOx Class 3 - GAS EN676 (≤ 80 mg/kWh)

OPERATION TYPE

PAB 2 stages soft start
 PR 2 stages progressive mechanical
 PRE 2 stages modulating electronic

HEAD TYPE

TC Short head
 TL Long head



- A1 Gas control and safety unit
- F6 Air pressure switch
- M1 Electric motor
- T1 Ignition transformer
- 5 Housing
- 8 Blast tube
- 15 Burner flange
- 103B Air regulation
- 113 Air intake

Scope of delivery

The burner is delivered in a modular system of packagings i.e. separate set/box:

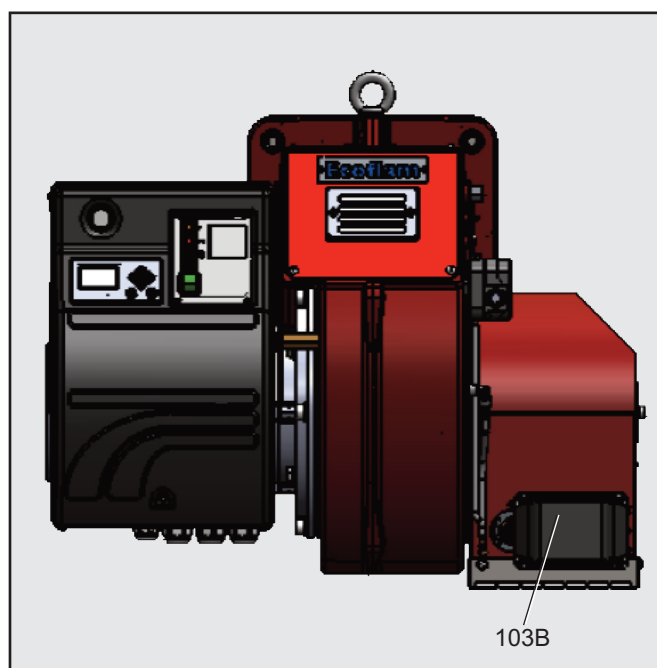
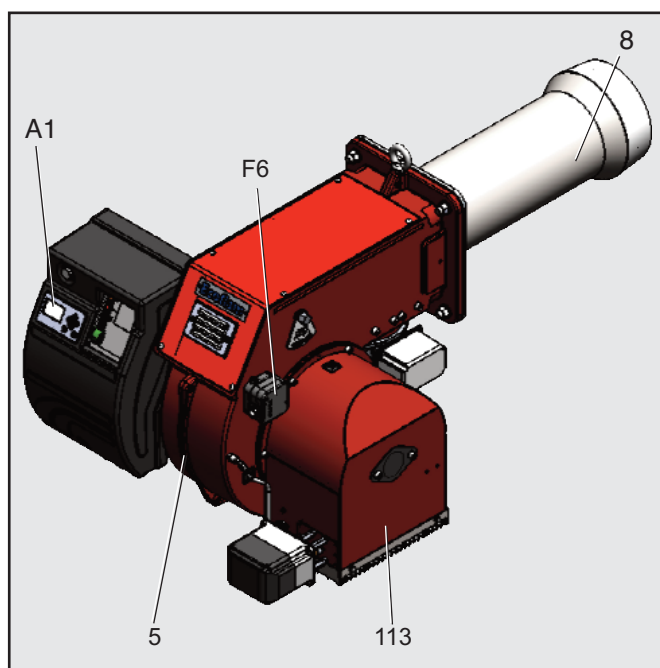
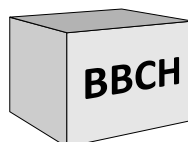
BBCH: Burner Body with Combustion Head with flange.

- 1 bag including :- multilanguage technical manual.
 - screws, nuts and washer.

GT: separate Gas Train

KIT & ACS are managed and delivered separately

KIT & ACS delivered separately



Function - General safety functions

Description of functions

When the system is switched on for the first time, after a power failure or safety shutdown, after a lack of gas or after the system has been out of operation for 24 hours, the pre-ventilation period begins.

During pre-purge period:

- blower pressure is monitored
- the combustion chamber is monitored for flame signals.

At the end of the pre-purge period:

- ignition is switched on.
- main and safety valve are opened.
- burner starts.

Monitoring

The flame is monitored by an ionisation probe. The probe is insulated and fitted to the gas head and is routed through the flame disc into the flame zone. The probe must not have any electrical contact with earthed parts. The burner switches to lock-out if a short circuit occurs between the probe and the burner earth.

During burner operation, an ionised zone is produced in the gas flame through which a rectified current flows from the probe to the burner head.

Safety functions

- If no flame is produced when the burner is started (gas release), the burner will be switched off at the end of the safety period, lasting no more than 3 seconds, and the gas valve will close.
- If the flame goes out during operation, the gas supply is interrupted within one

second. A restart takes place. Once the burner starts, operation is continued.

- Otherwise, a safety lock-out occurs.
- If there is a lack of air during reventilation or operation, a safety lock-out occurs.
- If there is a lack of gas, the burner does not begin operation or switches off.

In the event of controller shutdown

- Controller thermostat interrupts heat request.
- Gas solenoid valves close.
- Flame goes out.
- Burner motor switches off.
- Burner is ready for operation.

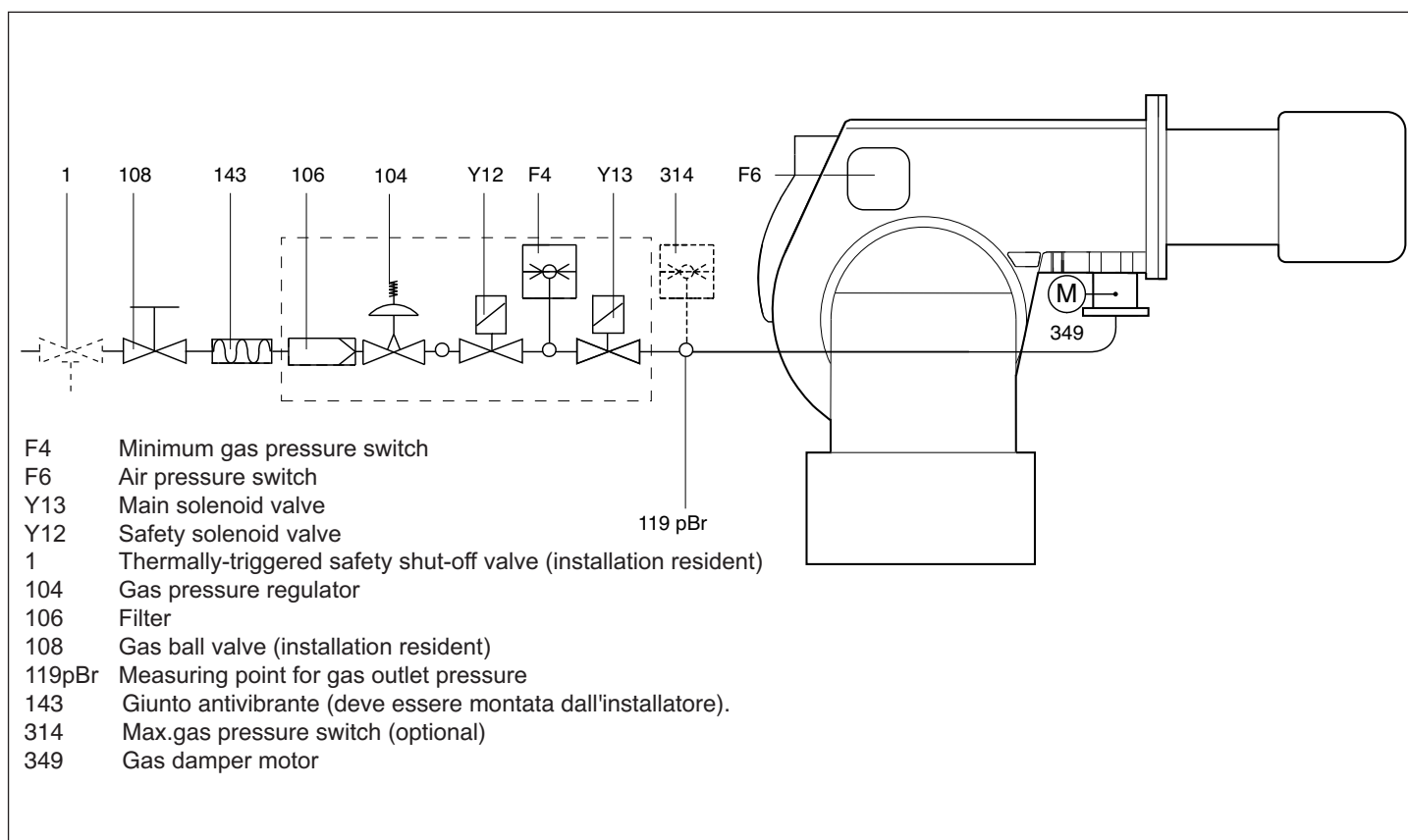
Gas Leakage control for burners in PRE version

The relevant function is ACTIVE as a standard. Before commissioning the burner, please check if this feature is "ACTIVATED" (look inside menu on section 5 "Operating Control and Displays" page 64, fig.5-32"). If it is "NOT ACTIVATED" and it is not mandatory to fit the valve proving, a suitable gas train must be fit. Such a gas train must be equipped with a pressure switch upstream of the first gas valve (referring to the picture on page 8, the F4 min. gas pressure switch must be fit before the device Y12)

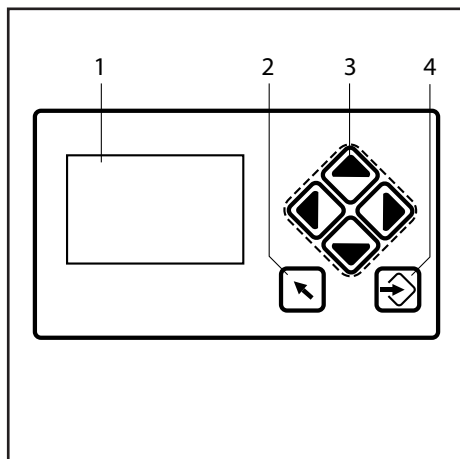
It works as follows:

The valve leakage test checks whether the main gas valves are leak-tight. The supply gas pressure is used for this purpose. Since the valve leakage test line (space between the two main valves) burns empty in the event of a shut-off, this

part is normally without pressure when starting (gas pressure > min. = 0). The FA1 checks this. Main gas 1 is then opened shortly and gas flows into the test line (gas pressure > min. changes from 0 to 1). This pressure must then subsist for 30 seconds. The valve leakage test is then deemed to be completed. If the valve leakage test line is not empty at the start (e.g. as a result of a previous fault shut-down), main gas valve 2 opens first. The valve leakage test line is vented (into the combustion chamber or over the roof, depending on the system; for suggested circuit, see Appendix). It is checked, whether the line remains pressureless for 30 seconds. Otherwise the procedure is, as described previously.



Function - Display UI300



- 1 Display
- 2 Back key
- 3 Cursor keys
- 4 Enter key

Display
The display shows in pictogram:

- the menu structure
- operating status
- parameters
- error messages



Jump to previous window.



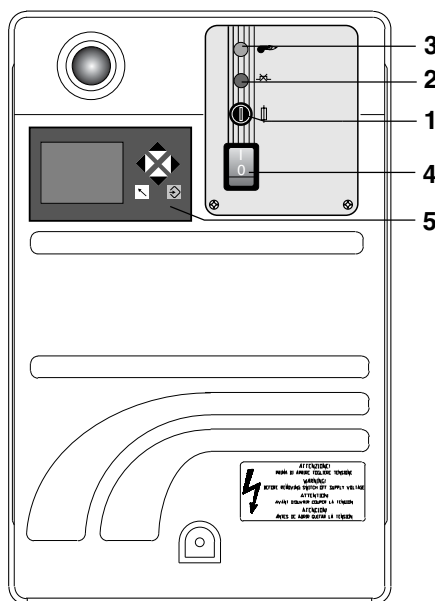
You navigate in the menu using cursor keys. You use 'left' and 'right' keys to move step by step in a selected row. At the end of the selected row the cursor jumps down to the next row, if possible. In a multiline menu use 'up' and 'down' keys to switch to other rows. To display parameters, switch between various fields.



Press ENTER to call up a menu on the start screen. Select a sub-menu in the menu window. Transfer setting values by pressing ENTER key in a parameter window. Use a flushing, red ENTER key to release a fault interlocker. If the ENTER key is permanently lit red, a fault with an automatic restart is displayed.

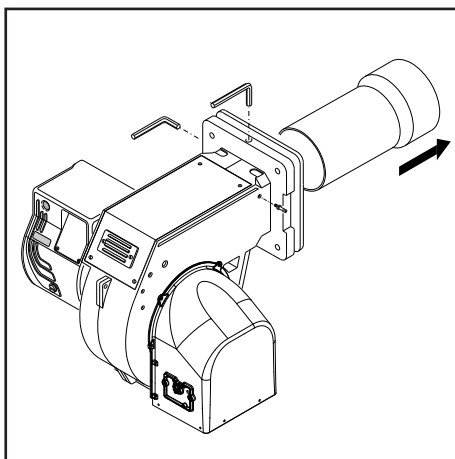
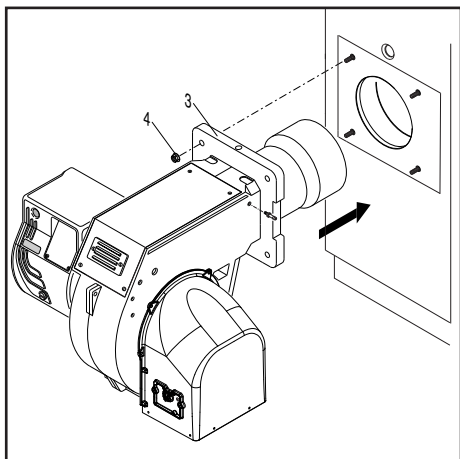
! Always switch off the power supply before installing or removing the control unit. Do not attempt to open or carry out repairs on the control unit.

Function - Control panel



- 1 - Fuse
- 2 - Thermal lock-out lamp
- 3 - Working lamp
- 4 - Main switch I / O
- 5 - Display

Installation - Burner assembly



Burner assembly

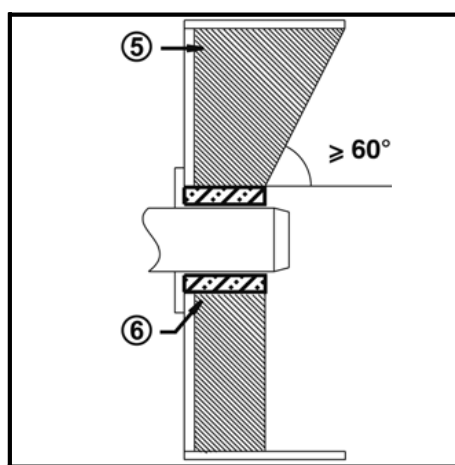
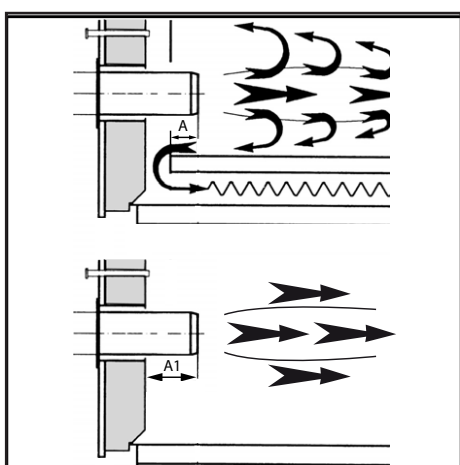
The burner is fixed to the boiler.

Installation:

- fix the flange 3 to the boiler with the screws 4

Removal:

- loosen the screws and remove the burner.



Burner blast tube insertion depth and brickwork

Unless otherwise specified by the boiler manufacturer, heat generators without a cooled front wall require brickwork or insulation 5 as shown in the illustration. The brickwork must not protrude beyond the leading edge of the blast tube, and should have a minimum conical angle of 60°. Gap 6 must be filled with an elastic, non-combustible insulation material. For boilers with reverse firing, the minimum burner tube insertion depth A as specified in the boiler manufacturer's instructions must be observed.

On boilers the blast tube insertion depth should be observed as per the boiler manufacturer's instructions.

Reverse flame boiler :

A = 50-100 mm.

Three pass boilers :

A1 = 50-100 mm.

Gas lines

When installing the gas lines and gas train, the general EN676 directives and guidelines must be observed.

Additional accessories and kits shall be installed by the installer in accordance to the local safety regulations and codes of practise.

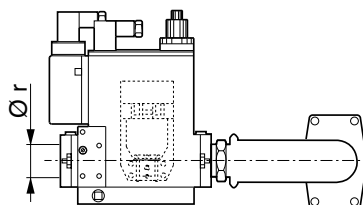
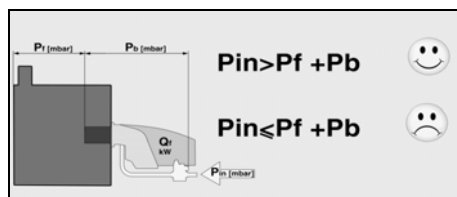
Upon the installer responsibility it is mandatory to install additional support(s) in order to not overload the burner body with the dead load of full gas train, accessories, piping and so on. The burner body can stand just the gas valve and the piping between the gas valve and the body.

LEGENDA

Pf: Back pressure of furnace

Pb: Pressure of burner (combustion head + complete gas train)

Pin: Minimum inlet pressure



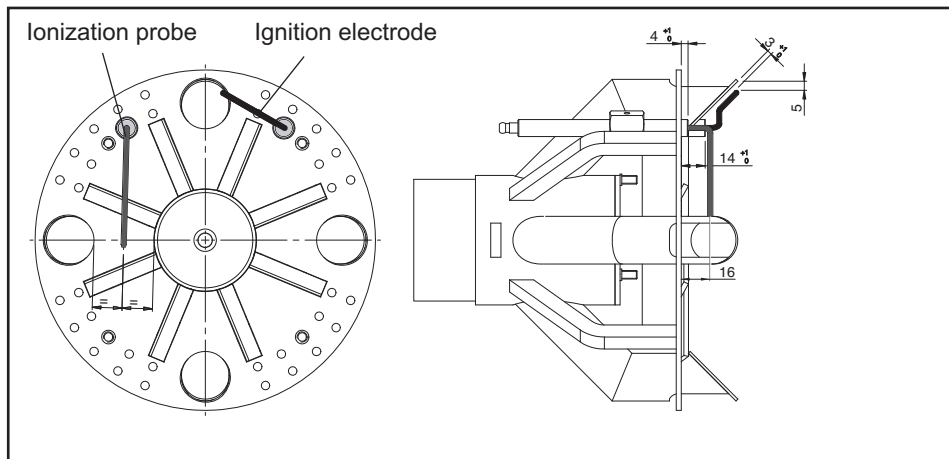
General regulations applying to the gas connection

- The gas train must only be connected to the gas mains by a recognised specialist.
- The cross-section of the gas line should be of a size designed to guarantee that the gas flow pressure does not drop below the specified level.
- A manual shut-off valve (not supplied) must be fitted upstream of the gas train.

Exhaust system

To avoid unfavourable noise emissions, right-angled connectors should not be used on the flue gas side of the boiler.

Installation - Electrical connection - Checks before commissioning



Position of electrodes

Setting the ionisation probe and ignition electrode: see diagram
Always check the position of the electrodes after service or substitution or assembly of LPG kit as wrong position might cause ignition problem.

Checks before commissioning

The following must be checked before initial commissioning:

- That the burner is assembled in accordance with the instructions given here.
- That the burner is pre-set in accordance with the values in the adjustment table.
- Setting the combustion components.
- The heat generator must be ready for operation, and the operating regulations for the heat generator must be observed.
- All electrical connections must be correct.
- The heat generator and heating system must be filled with water and the circulating pumps must be in operation.
- The thermostats, pressure regulator, low water detectors and any other safety or limiting devices that might be fitted must be connected and operational.
- The exhaust gas duct must be unobstructed and the secondary air system, if available, must be operational.
- An adequate supply of fresh air must be guaranteed.
- The heat request must be available.
- Sufficient gas pressure must be available.
- The fuel supply lines must be assembled correctly, checked for leaks and bled.
- A standard-compliant measuring point must be available, the exhaust gas duct up to the measuring point must be free of leaks to prevent anomalies in the measurement results.

Electrical connection

The electrical installation and connection work must only be carried out by an authorised electrical specialist. All applicable rules and regulations must be observed.

The electrical installation should include a type A circuit breaker.

The applicable guidelines and directives must be observed, as well as the electrical circuit diagram supplied with the burner!

- Make sure that the appliance is connected to an efficient earthing system.
- Make sure that the earth wire is a couple of cm longer than the other wires in the power supply cable.
- Check to ensure that the power supply voltage is as specified in the electric diagram and in data plate.
- Burner fuse: 5 A.

Electrical connection (plug-in)

It must be possible to disconnect the burner from the mains using an omnipolar shutdown device complying with the standards in force.

The burner and heat generator (boiler) are connected to the terminal block of the cabinet (fig.1).

Connecting the gas train

Connect the gas train to the plugs on the burner.

The burners are produced with connections suitable for power supply 380-400 V three-phase.

The burners with electric motors of an output lower or equal to 3 kW can be adapted to 220-230 V (please follow the instructions on the backside); motors with higher output can only work 380-400 V three-phase. In case of request of burners different from the above mentioned standard, it is recommended to make specific mention in the order.

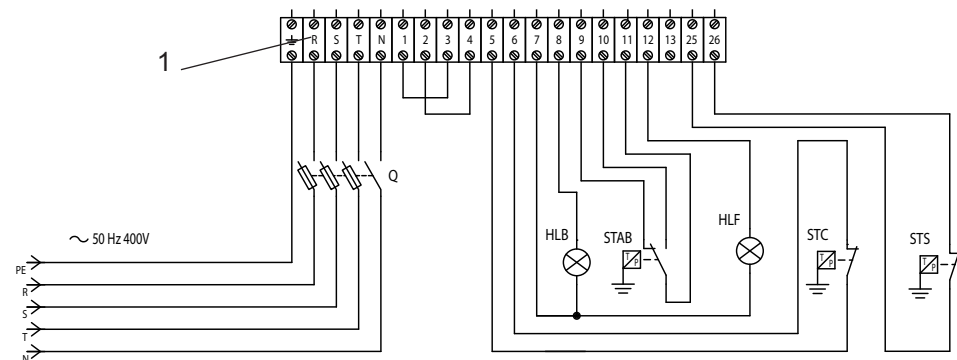
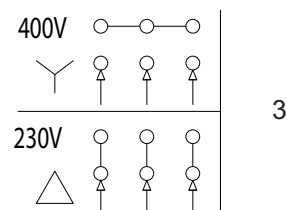
Instructions: how to adapt electric motors of an output lower or equal to 3 kW to 220-230 V power supply

It is possible to change the voltage of the burner by operating as follows:

1. change the connection inside the electric box of the motor, from star to delta (see picture 3);
2. change the setting of the thermal relay, referring to the absorption values indicated in the motor nameplate. If necessary, replace the thermal relay with another one of suitable scale.

This operation is not possible on motors above 3 kW.

For more information, please contact the Ecoflam staff.



Start up - Adjusting burner output

Adjusting the maximum air flow rate

Air and Gas adjustment are accomplished through BT3XX parameters setting. Refer to BT3XX manual attached.

Adjusting the minimum capacity of the burner

Air and Gas adjustment are accomplished through BT3XX parameters setting. Refer to BT3XX manual attached.

Adjusting the intermediate capacity of the burner

Gas adjustment is accomplished through BT3XX parameters setting. Refer to BT3XX manual attached.

Adjustment of gas solenoid valve

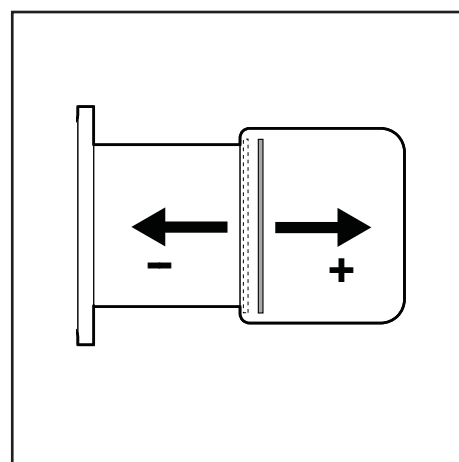
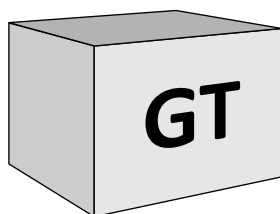
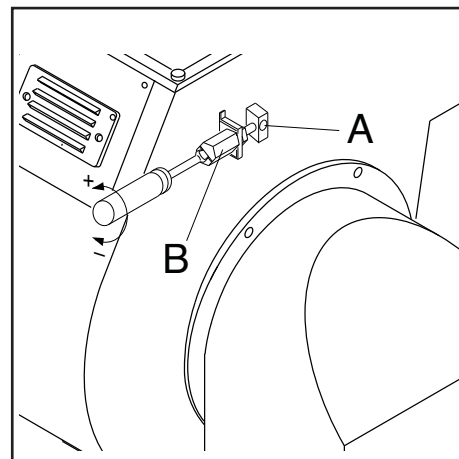
Refer to the gas train manual for the gas setting of the gas train selected.

N.B. observe the minimum required flue gas temperature specified by the boiler manufacturer and the requirements demanded of flue gas ducts for avoiding condensation.

Firing head setting

The firing head position adjustment is made in order to obtain the best combustion efficiency. When used with minimum outputs the firing head is adjusted in rear position. With high output, the firing head is adjusted in forward position. Adjustment:

- loosen screw A through a suitable Allen key,
- by a screwdriver act on the hex. head screw B until is reached the desired position.
- tighten screw A.



Risk of air blast!

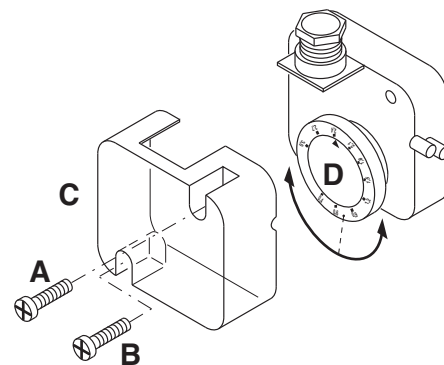
Continuously check CO, CO₂ and soot emissions when adjusting the output of the burner. Optimise combustion values in the event of CO formation. CO must not exceed 50 ppm.

Start up - Air pressure switch adjustment - Setting gas pressostat

Air pressure switch calibration

The air pressure switch is provided for monitoring the pressure of the combustion air fan. Unscrew screws A and B and remove cover C.

- Adjust the combustion with air pressure switch (APS) set at minimum.
- Start to obstruct the air inlet with a paper paying attention to O₂ and CO values red on the analyzer.
- Progressively increase air inlet obstruction till the CO value is slightly more than 1000 ppm. Stop obstruction in this position.
- Increase APS setting up to burner lock out.
- Now the APS is set to avoid CO production during the combustion.
- Remove air obstruction and fit again APS cover C.

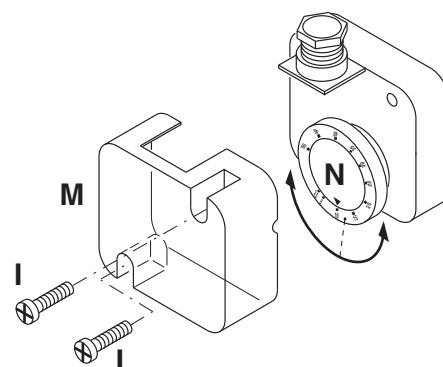


Min gas pressure switch

The gas pressure switch has the function to check that the gas pressure before the gas valve does have the minimum pressure to make the burner running correctly.

Unscrew off and remove cover M.

- Set knob N to a value equal to 60% of gas nominal feed pressure (i.e. for natural gas nom. pressure = 20 mbar, set knob to a value of 12 mbar; for LPG nom. pressure of G30/G31- 30/37 mbar, set knob to a value of 18 mbar). Screw up cover M.



Operating check

Flame monitoring must be checked for safety as part of initial commissioning and also after servicing or if the system has been out of operation for any significant period of time.

- Start attempt with gas ball valve closed: the automatic combustion control unit must switch to gas shortage or malfunction after the end of the safety period.

Service - Maintenance

Burner and boiler servicing must only be carried out by qualified personnel. The system operator is advised to take out a service contract to guarantee regular servicing.

temperature is more than 30°C above the value measured at the time of commissioning.

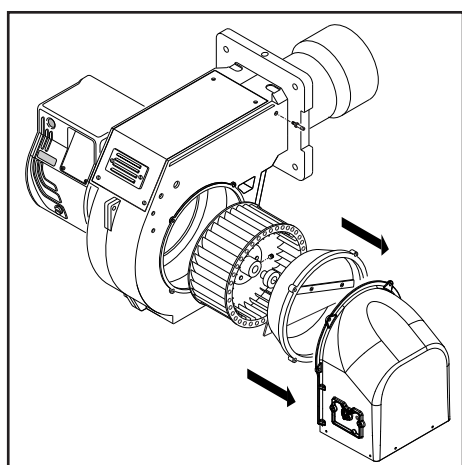
- To simplify the check, use a flue gas temperature indicator.

Attention

- Disconnect the electrical supply before carrying out any maintenance or cleaning work.
- The blast tube and firing head may be hot.

Checking the exhaust gas temperature

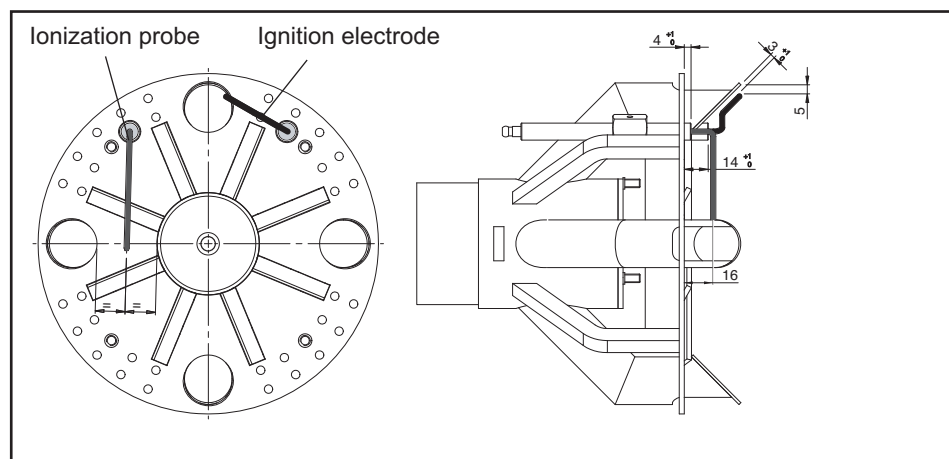
- Check the flue gas temperature at regular intervals.
- Clean the boiler if the flue gas



Maintenance on the burner

- Check gas supply components (tubes, lines) and their connections for leaks or signs of wear, replace if necessary.
- Check electrical connections and connection cables for damage, replace if necessary.
- Check gas filter, clean or replace as necessary.
- Clean fan wheel and housing and check for damage.
- Check and clean the mixing unit.
- Check ignition electrodes block, readjust or replace as necessary.
- Start burner, check flue gas data, correct burner settings if necessary.

- Check the setting for air pressure switch and gas pressostat.
- Check the gas train settings.
- Carry out an operating check.



Service - Troubleshooting

Fault diagnosis and repair

In the event of a malfunction, first check that the prerequisites for correct operation are fulfilled:

1. Is the system connected to the power supply?
2. Is there any gas pressure?
3. Is the gas shut-off valve open?
4. Are all control and safety devices, such as the boiler thermostat, low

water level detector, limit switch, etc. adjusted correctly?

If the malfunction persists, use the following table.

It is not permitted to repair any components relevant to safety. These components must be replaced by parts with the same order number.

Only use original spare parts.

NB: after each operation:

- under normal operating conditions (doors closed, hood fitted, etc.), check combustion and check the individual lines for leaks.
- Record the results in the relevant documents.

Maintenance

Annual check

The burner (combustion head, electrodes, etc.) must be checked regularly by an authorized technician, once or twice a year, depending on how much it is used. Before proceeding with the maintenance check-up on the burner, it is advisable to check the general condition of the burner and take the following steps:

Disconnect the burner (remove the plug).

- Close the gas shut-off cock.
- Remove the cover from the burner, clean the fan and air intake.
- Clean the combustion head and check the position of the electrodes.
- Re-install the parts.
- Check the seal on the gas connectors.
- Check the state of the flue.
- Start the burner.
- Check the combustion parameters

Before taking any action check:

- That there is power in the circuit and the burner is connected;
- That the gas pressure is right and the gas shut-off cock is open;
- That the control systems are properly connected. If all these conditions have been satisfied, start the burner by pressing the reset button.
- Check the burner cycle.

If the burner fails to start:

check the switch, the thermostats, the motor and the gas pressure.

If the burner proceeds with preventilation but cuts out at the end of the cycle:

- Check the air pressure and the fan.
- Check the air pressure switch.

If the burner proceeds with preventilation but does not light:

- Check the installation and position of the electrodes.
- Check the ignition cable.
- Check the ignition transformer.
- Check the safety device.

If the burner lights but cuts out after the safety interval:

- Check that the phase and neutral wires are connected correctly.
- Check the gas solenoid valve.
- Check the position and connection of the detector electrode.
- Check the detector electrode. Check the safety device.

If the burner lights but cuts out after operating for a few minutes:

- Check the pressure regulator and gas filter.
- Check the gas pressure with a pressure gauge.
- Check the detector value.

Contenuti generali - Indice - Avvertenze generali - Dichiarazione di conformità

Panoramica	Dati tecnici	3
	Curve di lavoro	4
	Dimensioni d'ingombro	5
Contenuti generali	Indice	16
	Avvertenze generali - Dichiarazione di conformità	16
	Descrizione del bruciatore	17
Funzione	Funzioni generali di sicurezza	18
	Display - Pannello di controllo	19
Installazione	Montaggio del bruciatore	20
	Connessione elettrica	21
	Controlli da eseguire prima della messa in funzione	21
Messa in funzione	Regolazione del bruciatore	22
	Regolazione dei pressostati aria e gas	23
Assistenza	Manutenzione	24
	Possibili inconvenienti	25
Panoramica	Diagramma perdita di pressione	66-69
	Schemi elettrici	70-71
	Parti di ricambio	72-74

Avvertenze importanti

I bruciatori BLU sono progettati per la combustione di gas naturale e di gas propano, con basse emissioni inquinanti. I bruciatori sono conformi alla norma EN 676, dal punto di vista della progettazione e del funzionamento. Montaggio, messa in funzione e manutenzione devono essere eseguiti esclusivamente da personale tecnico autorizzato, nel rispetto delle direttive e delle prescrizioni in vigore.

Descrizione del bruciatore

I bruciatori BLU PRE sono progressivi elettronici a funzionamento completamente automatico in esecuzione monoblocco. La costruzione speciale della testa di combustione permette di ottenere una combustione con un debole tasso di ossidi di azoto e un coefficiente di rendimento elevato. I valori delle emissioni corrispondono alla classe 3, come definita da EN676 (NO_x<80mg/kWh).

A seconda della geometria del focolare, della carica e del sistema di combustione (caldaia a tre percorsi, caldaia a combustione inversa), si possono riscontrare valori di emissione diversi. Sono adatti per l'allestimento di tutti i generatori di calore conformi alla norma EN 303 o degli aerotermini secondo DIN 4794 o DIN 30697 nell'ambito del rispettivo range di potenza. Per ogni altro utilizzo è necessaria l'autorizzazione della Ecoflam. Al fine di garantire un funzionamento sicuro, non inquinante ed a basso consumo energetico, è necessario rispettare le seguenti norme:

EN 676

Forced-draught gas burners

EN 226

Allacciamento di bruciatori di gasolio a nebulizzazione e bruciatori di gas ad aria soffiata su generatori di calore

EN 60335-1, -2-102

Sicurezza degli apparecchi elettrici per uso domestico, norme particolari per gli apparecchi con combustione a gas.

Luogo di installazione

Il bruciatore non dev'essere messo in funzione in locali in cui siano presenti vapori aggressivi (ad es. lacca per capelli, percloroetilene, tetracloruro di carbonio), notevole accumulo di polvere o forte umidità dell'aria (ad es. lavanderie). Una adeguata ventilazione deve essere fornita nel locale dell'installazione in modo da garantire le condizioni per una buona combustione.

Si possono riscontrare scostamenti dovuti ad eventuali normative locali.

Si esclude qualsivoglia responsabilità per eventuali danni derivanti dalle seguenti cause:

- utilizzo non conforme.
- montaggio difettoso e/o riparazione a cura dell'acquirente o terzi, ivi inclusa l'applicazione di elementi di origine estranea.

Dichiarazione di conformità per bruciatori a gas

Noi,

Ecoflam Bruciatori S.p.A.

dichiariamo sotto la nostra responsabilità, che i bruciatori a gas

BLU

sono conformi alle norme elencate :

EN 676	EN 50156-1
EN 55014-1	EN 55014-2
EN 60335-1	EN 60335-2-102
EN 61000-6-2	EN 61000-6-3

Questi prodotti vengono contrassegnati con il marchio CE nel rispetto delle direttive:

2014/35/UE Low Voltage Directive
2014/30/UE EMC Directive
2006/42/EC Machine directive
2011/65/EU RoHS2 directive
2009/142/CEE Gas Appliance Directive

February, 2016 / Mr. Ruben Cattaneo
 R&D manager



Consegna e istruzioni per l'uso

Il costruttore dell'impianto di combustione è tenuto a consegnare al gestore dell'impianto, al più tardi all'atto della consegna dello stesso, le istruzioni per l'uso e la manutenzione. Queste istruzioni devono essere appese nel locale di installazione del generatore termico in modo ben visibile. Devono essere indicati l'indirizzo ed il numero telefonico del punto di assistenza più vicino.

Avvertenza per il gestore

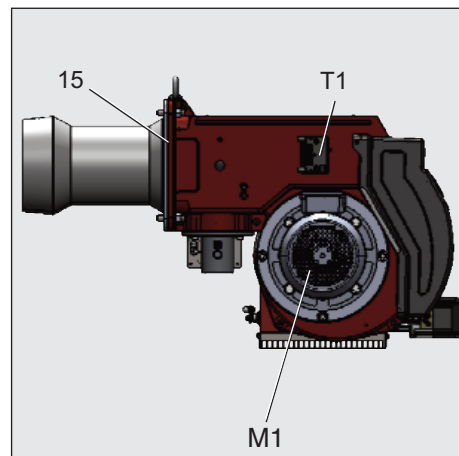
L'impianto dev'essere controllato almeno una volta l'anno da un tecnico specializzato. Al fine di garantire un'esecuzione regolare, si suggerisce di stipulare un contratto per la manutenzione dell'impianto.

I bruciatori Ecoflam sono stati progettati e costruiti nel rispetto delle normative e direttive correnti. Tutti i bruciatori rispondono alle normative sulla sicurezza e sul risparmio energetico nel limite del campo di lavoro dichiarato. La qualità del prodotto è garantita dal sistema di certificazione in base alla norma ISO 9001:2008.

Contenuti generali - Descrizione del bruciatore

BLU 2000.1 PRE TC

NOME	BLU
MODELLO	BLU 2000.1 2000 kW
EMISSIONI	Standard Classe 2 - GAS EN676 (≤ 120 mg/kWh) LN Low NOx Classe 3 - GAS EN676 (≤ 80 mg/kWh)
TIPO DI FUNZIONAMENTO	PAB 2 stadi PR 2 stadi progressivo meccanico PRE 2 stadi progressivo elettronico
LUNGHEZZA TESTA	TC Testa corta TL Testa lunga



- A1 Apparecchio di comando e controllo
- F6 Pressostato aria
- M1 Motore ventilatore
- T1 Trasformatore d'accensione
- 5 Corpo bruciatore
- 8 Boccaglio
- 15 Flangia bruciatore
- 103B Regolazione dell'aria
- 113 Cassetto aria

Imballaggio

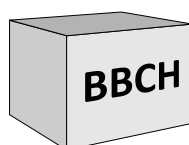
Il bruciatore è consegnato con un sistema modulare di imballo (scatole separate):

BBCH: Bruciatore completo con testa di combustione e flangia.

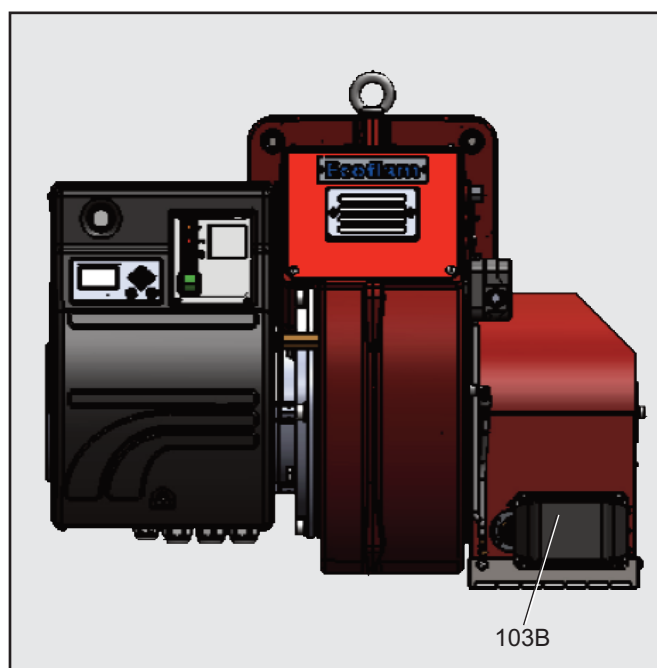
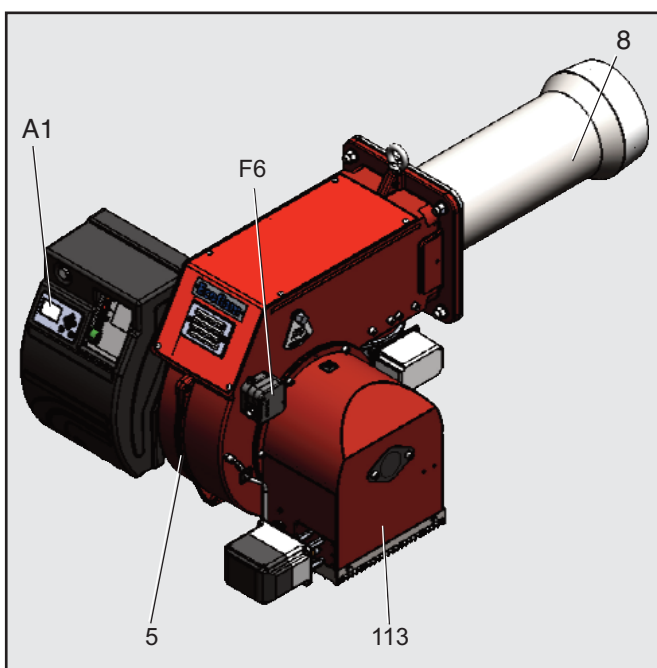
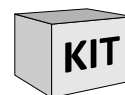
- 1 sacchetto : - manuale tecnico in multilingue.
- viti, dadi e rosette.

GT: Rampa Gas separata

KIT & ACS ordinabili e consegnati separatamente



KIT & ACS ordinabili e consegnati separatamente



Funzione - Funzioni generali di sicurezza

Descrizione del funzionamento

Alla prima messa sotto tensione, dopo un'interruzione di corrente e una fase di messa in sicurezza, dopo un'interruzione di gas o dopo un arresto di 24 ore, comincia un tempo di preventilazione.

Durante il tempo di preventilazione:

- la pressione dell'aria viene monitorata.
- controllo della presenza di eventuali segnali di fiamma anomali.

Al termine del tempo di preventilazione

- l'accensione è inserita.
- l'elettrovalvola principale e di sicurezza è aperta.
- il bruciatore si avvia.

Sorveglianza

La fiamma viene monitorata da una sonda di ionizzazione. La sonda è montata in modo isolato sulla testa del gas ed è diretta attraverso il disco fiamma nella zona della fiamma. La sonda non deve avere alcun contatto elettrico con componenti messi a terra. Se compare un cortocircuito tra la sonda e la massa del bruciatore, il bruciatore entra in stato di anomalia. Durante il funzionamento, nella fiamma del gas si crea una zona ionizzata, attraverso la quale circola una corrente raddrizzata dalla sonda verso il boccaglio.

Funzioni di sicurezza

- Se all'avvio del bruciatore (rilascio del gas) non si forma la fiamma, il bruciatore viene arrestato al termine di un intervallo di sicurezza di max. 3 secondi, la valvola del gas si chiude.
- In caso di anomalia della fiamma

durante il funzionamento, l'alimentazione del gas si interrompe nella frazione di un secondo. Viene avviata una nuova messa in funzione. Se il bruciatore si avvia, il ciclo di funzionamento prosegue. In caso contrario si instaura una fase di messa in sicurezza.

- In caso di mancanza d'aria durante la preventilazione o il funzionamento, si instaura una fase di messa in sicurezza.
- In caso di mancanza di gas, il bruciatore non si mette in funzione e/o si arresta.

Arresto di regolazione

- Il termostato di regolazione interrompe la richiesta di riscaldamento.
- Le valvole gas si chiudono.
- La fiamma si spegne.
- Il motore del ventilatore si ferma
- Il bruciatore è pronto per il successivo funzionamento.

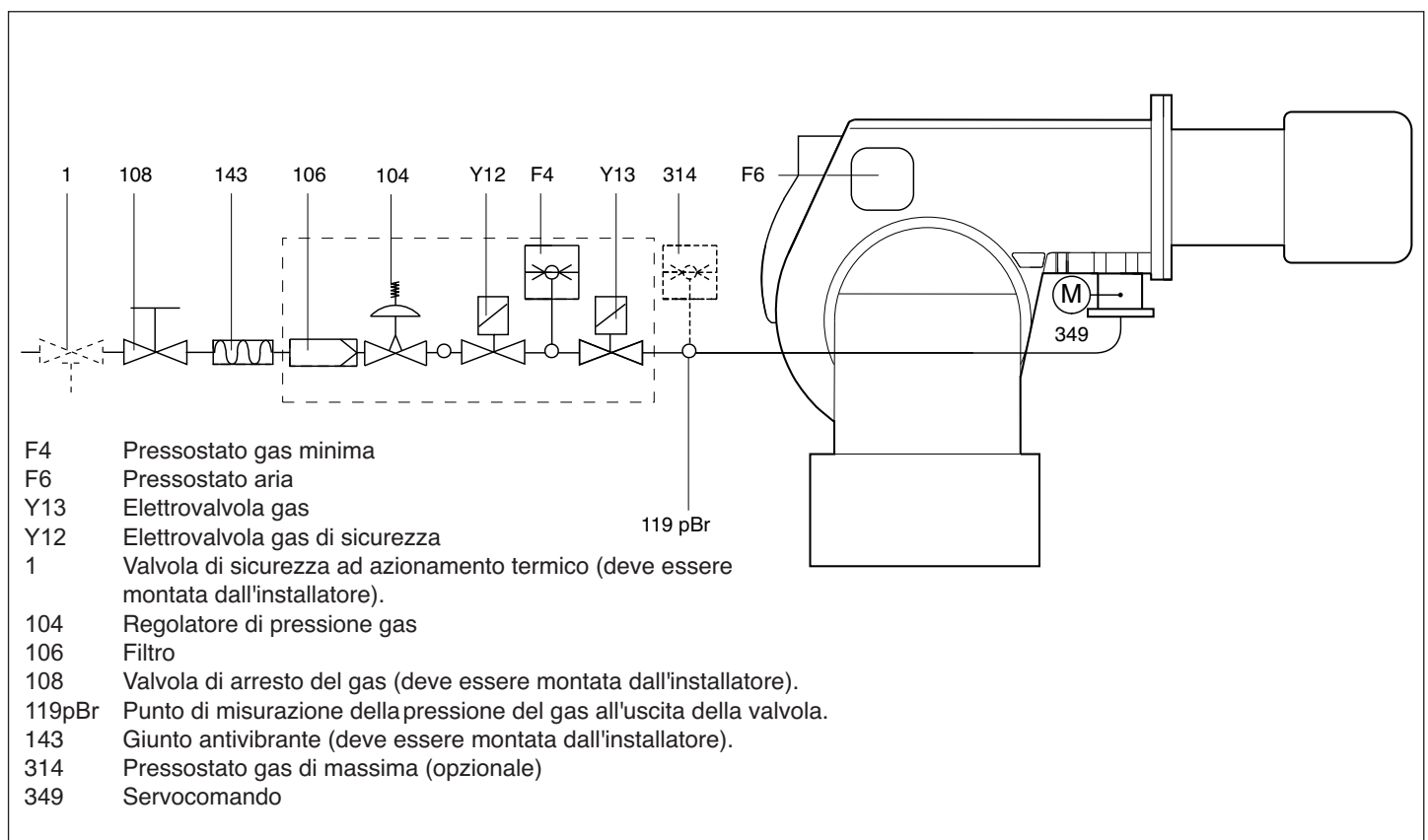
Controllo di tenuta valvole per bruciatori in versione PRE

La relativa funzione è di solito attivata nei bruciatori PRE. Prima della messa in funzione del bruciatore, controllare se questo controllo è "ATTIVATO" (guardare il menù nella sezione 5 "Comando e Display" pag.69, fig.5-32). Se il controllo di tenuta delle valvole non è obbligatorio e "NON ATTIVATO" nel menù, la conformazione della rampa gas deve essere modificata portando il pressostato gas di minima F4 a monte della prima valvola gas, cioè prima del dispositivo Y12 (valvola principale 1).

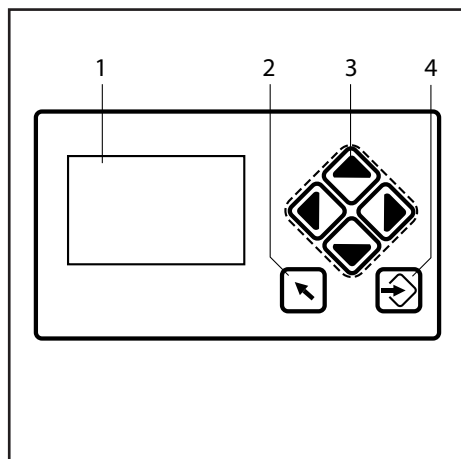
Principio di funzionamento:
Il controllo della tenuta verifica la tenuta

delle valvole principali del gas. Ai fini della verifica viene utilizzata la pressione del gas di alimentazione. Poiché in caso di spegnimento del bruciatore il tratto di controllo della tenuta (spazio tra le due valvole principali) viene vuotato, normalmente questa sezione non presenta pressione durante l'avvio (il pressostato gas di minima è in posizione di 0). La verifica è effettuata dall'apparecchiatura BT. Di seguito viene aperta per breve tempo la valvola principale 1 e il gas affluisce nel tratto di controllo (il pressostato gas di minima passa da 0 a 1). Durante il tempo di apertura della valvola principale 1, è necessario vi sia pressione del gas. In caso contrario l'apparecchiatura BT rileva assenza di gas. La pressione del gas dovrà rimanere costante almeno per tutta la durata del periodo di controllo della tenuta (2 secondi + P 311). In seguito il controllo della tenuta è considerato concluso.

Se il tratto in cui viene effettuato il controllo della tenuta all'avvio non sia vuoto (ad esempio a seguito di un blocco di sicurezza), verrà aperta per prima la valvola principale 2 quindi il tratto di controllo della tenuta viene sfiato. Durante il periodo in cui viene eseguito il controllo della tenuta il tratto di controllo rimane o meno senza pressione. Dopodiché il processo prosegue come sopra descritto.



Funzione - Display UI300



- 1 Display
- 2 Tasto indietro
- 3 Tasti cursore
- 4 Tasto invio

Display

Il display conduce tra i diversi menu con pittogrammi e mostra :

- La struttura del menu
- Gli stati operativi
- I parametri
- I messaggi di errore



Passa alla finestra precedente.



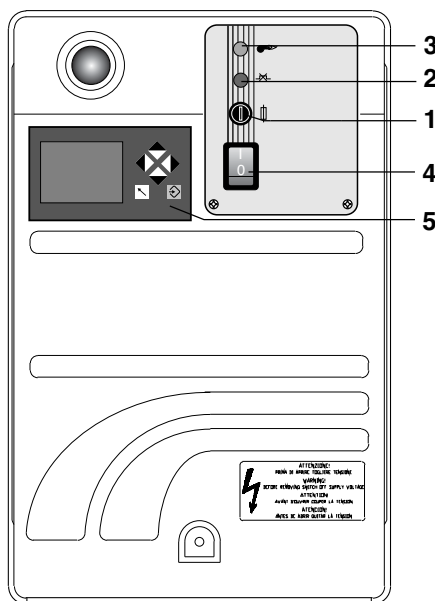
Con i tasti cursore è possibile navigare all'interno del menu. Con i tasti freccia a destra e freccia a sinistra è possibile muoversi progressivamente verso la riga selezionata. Alla fine della riga selezionata, il cursore passa alla riga inferiore, se presente. Nel caso di menu con più righe, premendo i tasti è possibile passare alle righe superiori o inferiori. Per quanto riguarda le schermate dei parametri è possibile passare da un campo all'altro.



Con il tasto Invio, è possibile richiamare il menu nella schermata di avvio. In una finestra del menu sarà quindi possibile aprire il sottomenu selezionato. In una finestra dei parametri, grazie al tasto Invio, è possibile trasferire i valori impostati. Se il tasto INVIO si illumina di rosso, è possibile effettuare uno sbloccaggio difetti sul BT3xx. Se il tasto Invio emette una luce rossa permanente, viene visualizzata un'anomalia con riavviamento automatico.

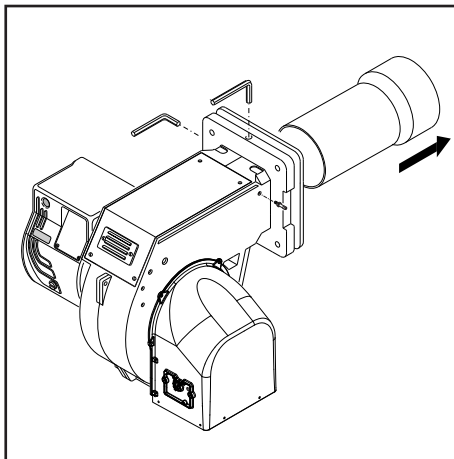
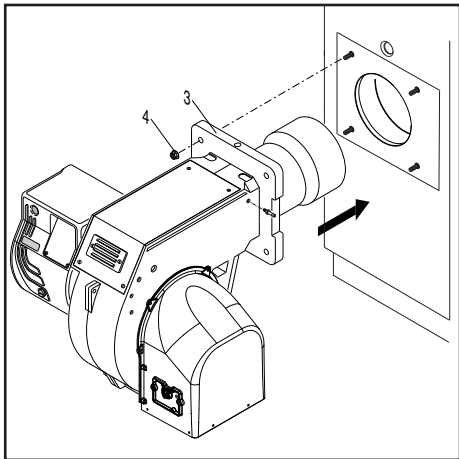
! Prima del montaggio o dello smontaggio del programmatore, la tensione dell'apparecchio deve essere disinserita. Il programmatore di comando non dev'essere aperto né riparato.

Funzione - Pannello di comando



- 1 - fusibile
- 2 - lampada di blocco termico
- 3 - lampada di funzionamento
- 4 - interruttore I / O
- 5 - Display

Installazione - Montaggio del bruciatore



Montaggio del bruciatore

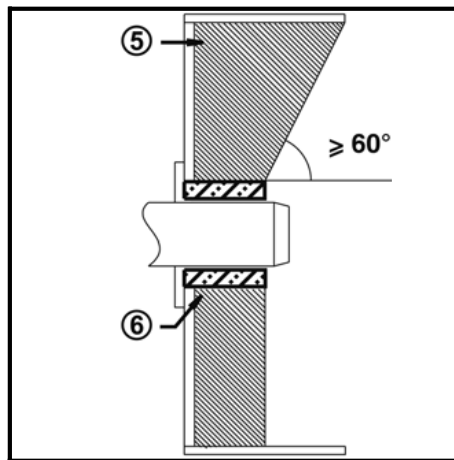
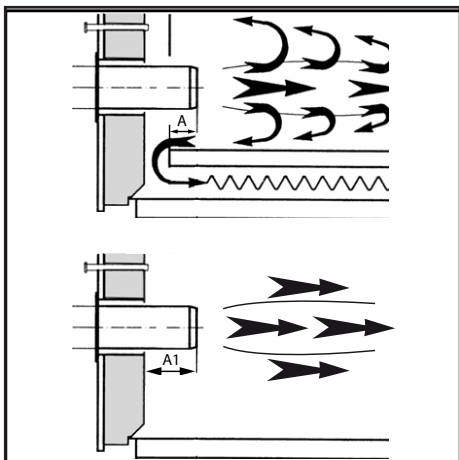
bruciatore viene fissato alla caldaia.

Montaggio :

- Fissare la flangia di attacco 3 alla caldaia con le viti 4.

Smontaggio :

- Allentare le viti e rimuovere il bruciatore.



Profondità di montaggio del boccaglio del bruciatore e rivestimento refrattario

Per i generatori senza parete anteriore raffreddata e in assenza di indicazioni contrarie da parte del costruttore della caldaia, è necessario eseguire un rivestimento in mattoni o l'isolamento secondo la figura (5) a lato. Il rivestimento in mattoni non deve sporgere oltre il bordo anteriore del boccaglio e deve terminare con una conicità massima di 60°. Lo spazio d'aria (6) dev'essere riempito con un materiale isolante elastico, non infiammabile.

Per le caldaie deve essere rispettata la profondità di penetrazione del boccaglio, in conformità con le indicazioni fornite dal costruttore della caldaia stessa.

Caldaie ad inversione di fiamma :

A = 50-100 mm.

Caldaie a tre giri di fumo :

A1 = 50-100 mm.

Linea alimentazione gas

Nell'installazione della linea di alimentazione e della rampa gas bisogna osservare le prescrizioni della EN676. Ulteriori accessori dovranno essere montati dall'installatore per soddisfare eventuali normative locali.

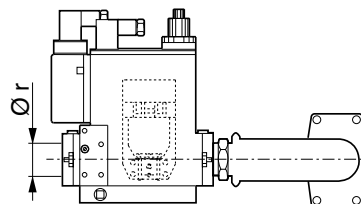
E' responsabilità dell'installatore installare gli elementi di supporto addizionali necessari per non sollecitare il bruciatore con l'ulteriore peso di eventuali accessori e tubazioni a monte della rampa. Il corpo del bruciatore è progettato per sostenere unicamente il peso della propria rampa gas e del raccordo tra rampa e corpo bruciatore.

LEGENDA

Pf: Contropressione al focolare

Pb: Pressione gas bruciatore (testa di combustione + rampa gas)

Pin: Pressione minima di alimentazione

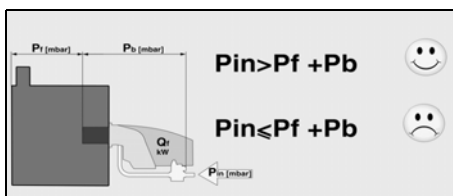


Prescrizioni di ordine generale per l'allacciamento del gas

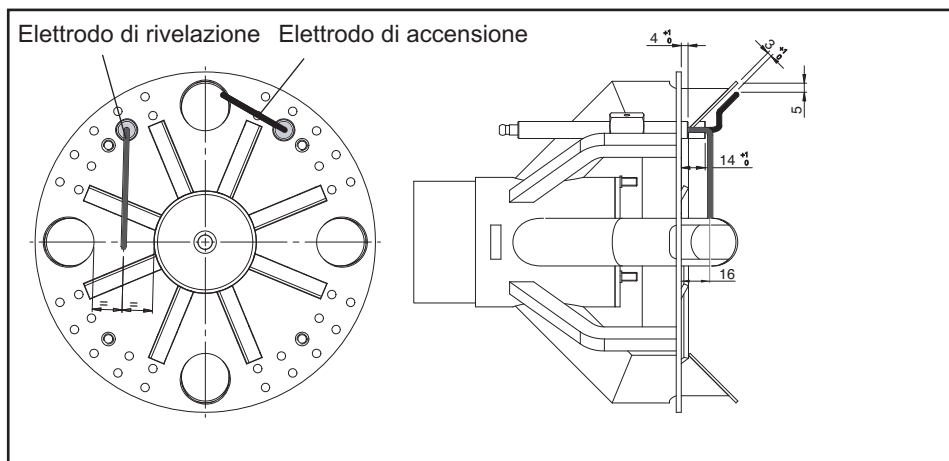
- Il collegamento della rampa gas alla rete del gas deve essere effettuato esclusivamente da un tecnico esperto autorizzato.
- La sezione della tubazione del gas deve essere preparata in modo tale che la pressione di alimentazione del gas non possa scendere al di sotto del valore prescritto.
- Una valvola manuale di arresto (non fornita) deve essere montata a monte della rampa gas.

Condotto dei fumi

Al fine di evitare rumorosità indesiderate si raccomanda di evitare l'utilizzo di raccordi ad angolo retto al momento del collegamento della caldaia al camino.



Installazione - Connessione elettrica - Controlli da eseguire prima della messa in funzione



Allacciamento elettrico

L'impianto elettrico e i lavori di allacciamento devono essere eseguiti esclusivamente da personale specializzato autorizzato. A tal proposito devono essere rispettate le normative e le direttive vigenti. L'impianto d'alimentazione dovrà essere dotato di un interruttore differenziale di tipo A.

Rispettare obbligatoriamente le prescrizioni e le direttive in vigore, oltre allo schema elettrico fornito con il bruciatore!

- Verificare che l'apparecchio sia collegato ad un efficace impianto di terra.
- Verificare che il conduttore di terra del cavo di alimentazione sia più lungo di un paio di cm rispetto agli altri.
- Verificare che la tensione di rete corrisponda alla tensione d'esercizio indicata nello schema elettrico e targa dati.
- Fusibile sul bruciatore : 5 A

Allacciamento elettrico (plug-in)

Il bruciatore deve poter essere scollegato dalla rete mediante uno dei corrispondenti dispositivi di interruzione onnipolari conformi alle norme vigenti. Bruciatori e generatori termici (caldaie) vengono collegati tra di loro mediante una connessione alla morsettiere del pannello (fig.1).

Collegamento della rampa gas

Eseguire il collegamento della rampa gas con le prese situate sul bruciatore.

I bruciatori sono prodotti con i collegamenti adatti all'alimentazione 380-400 V trifase.

I bruciatori con motori elettrici di potenza inferiore o uguale a 3 kW possono essere adattati per alimentazione a 220-230 V (seguire le istruzioni sul retro); per i motori con potenze superiori è possibile solo l'alimentazione a 380-400 V trifase. In caso di richiesta di bruciatori diversi dallo standard sopra indicato si raccomanda di farne specifica menzione nell'ordine.

Istruzioni: come adattare motori elettrici di potenza uguale o inferiore a 3 kW per alimentazione 220-230 V

E' possibile modificare il voltaggio del bruciatore operando come segue:
1. modificare il collegamento all'interno della scatola di alimentazione del motore elettrico: da stella a triangolo (vedi figura 3);
2. modificare la taratura del relè termico, riferendosi ai valori di assorbimento riportati nella targa dati del motore elettrico. Se necessario, sostituire il relè termico con altro di scala idonea. Questa operazione non è possibile su motori superiori ai 3 kW. Per ulteriori informazioni, vi preghiamo di contattare il personale Ecoflam.

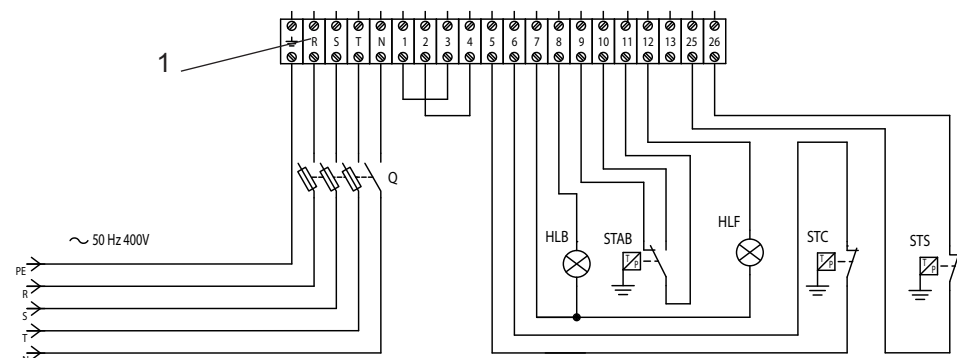
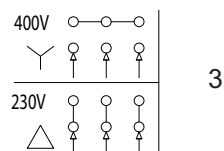
Posizione elettrodi

Verificare sempre la posizione degli elettrodi dopo la loro sostituzione o il montaggio del KIT LPG. Una posizione errata può comportare problemi di accensione o rivelazione.

Controlli da eseguire prima della messa in funzione

Prima della messa in funzione devono essere controllati i seguenti punti.

- Montaggio del bruciatore secondo le presenti istruzioni.
- Preimpostazione del bruciatore secondo le indicazioni riportate nella tabella di regolazione.
- Controllo degli organi di combustione
- Il generatore termico dev'essere pronto per l'uso, le prescrizioni di montaggio del generatore termico devono essere rispettate.
- Tutti gli allacciamenti elettrici devono essere eseguiti correttamente.
- Il generatore termico ed il sistema di riscaldamento sono pieni d'acqua, le pompe di circolazione sono in funzione.
- Termostati, regolatore di pressione, dispositivo di sicurezza in caso di carenza d'acqua ed altri dispositivi limitatori eventualmente installati sono correttamente collegati e funzionanti.
- Le vie di scarico dei fumi devono essere sgombrare, il dispositivo per l'aria secondaria, se presente, dev'essere in funzione.
- Dev'essere garantito un sufficiente apporto di aria pura.
- Dev'essere presente una richiesta di riscaldamento.
- Deve essere disponibile una pressione del gas sufficiente.
- I condotti per il combustibile devono essere installati a regola d'arte, devono essere sottoposti ad un controllo per garantirne l'ermeticità ed essere disaerati.
- Il punto di misurazione previsto dalla norma per il controllo dei fumi di scarico dev'essere presente, il percorso dei fumi sino al punto di misurazione dev'essere a tenuta stagna in modo che i risultati delle misurazioni non possano essere falsati.



Messa in funzione - Regolazione

Regolazione della potenza massima del bruciatore

Le regolazioni dell'aria e del gas sono ottenute impostando i parametri della BT3xx. Fare riferimento al manuale della BT3xx.

Regolazione della potenza minima del bruciatore

Le regolazioni dell'aria e del gas sono ottenute impostando i parametri della BT3xx. Fare riferimento al manuale della BT3xx.

Regolazione delle potenze intermedie del bruciatore

Le regolazioni dell'aria e del gas sono ottenute impostando i parametri della BT3xx. Fare riferimento al manuale della BT3xx.

Regolazione della valvola gas

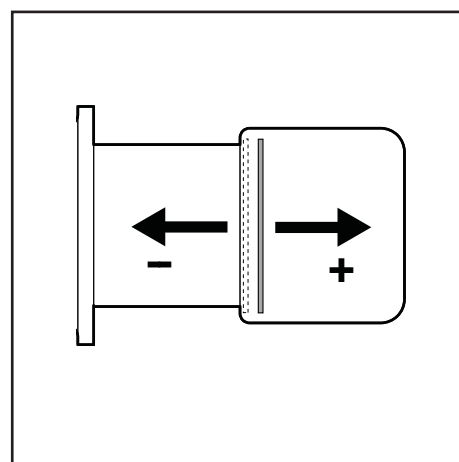
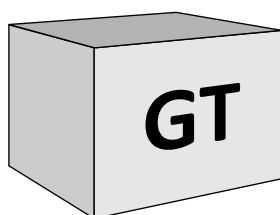
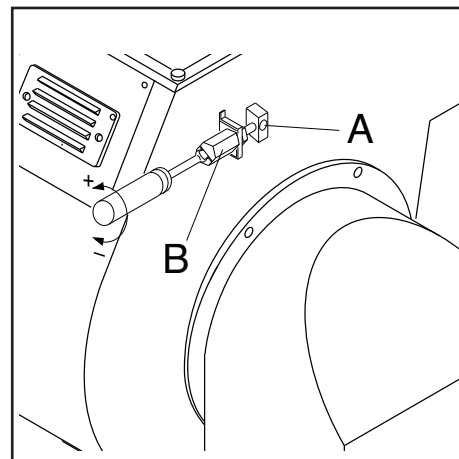
Regolate le valvole gas in base alle istruzioni del manuale della rampa gas.

N.B. rispettate il valore minimo della temperatura fumi specificato dal costruttore della caldaia per evitare la formazione di condensa.

Regolazione della testa di combustione

La regolazione della posizione della testa di combustione viene effettuata per ottenere il miglior rendimento di combustione. Nelle applicazioni alle portate minime del bruciatore la testa viene arretrata, alle potenze massime viene avanzata. Esecuzione :

- allentare la vite A adoperando una chiave a brugola adeguata.
- agire con un cacciavite sulla vite esagonale B sino al raggiungimento della posizione desiderata.
- rifissare la vite A.



Pericolo di deflagrazione:

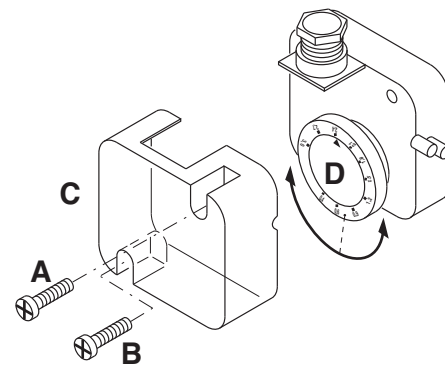
durante le operazioni di regolazione, verificare costantemente le emissioni di CO, CO₂ e l'indice di fumosità. In presenza di formazioni di CO modificare i valori della combustione. Il valore massimo di CO non deve superare i 50ppm.

Messa in funzione - Regolazione dei pressostati aria e gas

Regolazione del pressostato aria

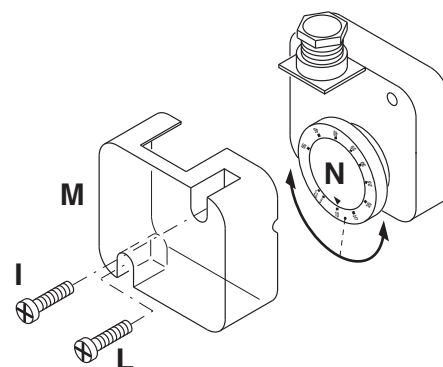
Il pressostato aria controlla la pressione dell'aria di ventilazione. Svitare le viti A e B e rimuovere il coperchio C.

- Tarate la combustione con il pressostato aria regolato al minimo.
- Ostruite l'aspirazione dell'aria con un cartone facendo attenzione ai valori di O₂ e CO dell'analizzatore.
- Progressivamente aumentate la chiusura del passaggio aria finché il valore del CO è leggermente sopra i 1000 ppm. Fermate il cartone in questa posizione.
- Aumentate la taratura del pressostato aria fino al blocco del bruciatore.
- Ora il pressostato è tarato in modo da evitare la produzione di CO.
- Togliete il cartone e rimontare il coperchio C.



Regolazione del pressostato gas di minima

Il pressostato gas di minima ha la funzione di controllare la pressione minima del gas prima della valvola gas permettendo al bruciatore di funzionare correttamente. Svitare le viti I e L e togliere il coperchio M. Posizionare la ghiera N ad un valore pari al 60% della pressione nominale di alimentazione gas (es.: per gas metano press. nominale = 20 mbar; regolatore posizionato al valore 12 mbar; per G.P.L. pressione nominale G30-G31 30/37 mbar regolatore posizionato al valore di 18 mbar). Rimontare il coperchio M.



Controllo funzionamento

Un controllo di sicurezza del monitoraggio fiamma dev'essere eseguito sia in occasione della prima messa in funzione, sia dopo aver eseguito revisioni o dopo un lungo periodo di inattività dell'impianto.

- Test di messa in moto con il rubinetto del gas chiuso:
l'apparecchiatura di controllo dovrà segnalare il non funzionamento per mancanza gas o andare in blocco al termine del tempo di sicurezza.

Assistenza - Manutenzione

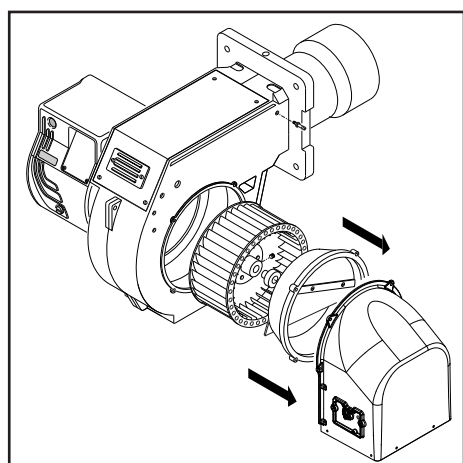
Gli interventi di assistenza sulla caldaia e sul bruciatore devono essere eseguiti esclusivamente da personale tecnico addestrato nel campo del riscaldamento. Al fine di garantire una regolare esecuzione degli interventi di assistenza, si consiglia al gestore dell'impianto di stipulare un contratto di assistenza.

Attenzione

- Prima degli interventi di manutenzione e pulizia, disinserire la corrente.
- Il boccaglio ed i componenti della testa possono essere caldi.

Controllo della temperatura dei fumi di scarico

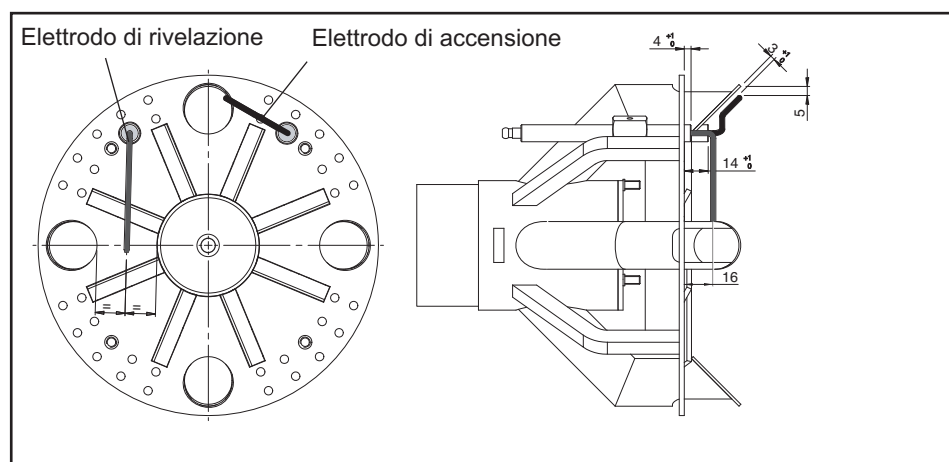
- Controllare regolarmente la temperatura dei fumi di scarico.
- Pulire la caldaia se la temperatura dei fumi di scarico supera il valore della messa in funzione di oltre 30°C.
- Al fine di semplificare il controllo, installare un display per la visualizzazione della temperatura dei fumi di scarico.



Interventi di manutenzione sul bruciatore

- Controllare i componenti di alimentazione gas (tubazioni, filtri, ecc.) ed i collegamenti per individuare perdite o segni di usura ed eventualmente sostituirli.
- Controllare la presenza di danni su connessioni elettriche e cavi di raccordo ed eventualmente sostituirli.
- Controllare il filtro gas, pulire e, all'occorrenza, sostituzione se necessario.
- Pulire ventola a carter e controllare che non presentino danni.
- Controllare e pulire i dispositivi di miscelazione.
- Controllare gli elettrodi di accensione ed eventualmente regolarli o sostituirli.
- Avviare il bruciatore, controllare i dati

- dei fumi di scarico ed eventualmente correggere le regolazioni del bruciatore.
- Controllare le regolazioni dei pressostati aria e gas.
- Controllare la regolazione della rampa gas.
- Effettuare un controllo del funzionamento.



Assistenza - Possibili inconvenienti

Cause ed eliminazione delle anomalie

In presenza di anomalie, devono essere controllati i presupposti fondamentali per il corretto funzionamento dell'impianto:

1. C'è corrente?
2. C'è tutta la pressione del gas?
3. La valvola di intercettazione del gas è aperta?
4. Tutti gli apparecchi di regolazione e sicurezza come il termostato caldaia, il

dispositivo di sicurezza in caso di carenza d'acqua, il finecorsa, ecc., sono impostati?

Nel caso in cui, dopo il controllo dei punti suddetti, l'anomalia persistesse, usare la seguente tabella.

I componenti di sicurezza non devono essere riparati, bensì devono essere sostituiti con componenti riportanti lo stesso codice articolo.

Utilizzare esclusivamente pezzi originali del costruttore.

NB: Dopo ogni intervento controllare:

- i valori di combustione in condizioni di esercizio (porta del locale caldaia chiusa, copertura montata, ecc.).
- registrare i valori di combustione nel libretto di centrale.

Manutenzione

Controllo annuale

Il controllo periodico del bruciatore (testa di combustione, elettrodi, ecc.) deve essere effettuato da personale autorizzato una o due volte all'anno a secondo dell'utilizzo. Prima di procedere al controllo per la manutenzione del bruciatore è consigliabile verificare lo stato generale del bruciatore e seguire le seguenti operazioni:

- Togliere tensione al bruciatore (togliere la spina).
- Chiudere il rubinetto di intercettazione gas.
- Togliere il coperchio del bruciatore, pulire la ventola e l'aspirazione dell'aria.
- Pulire la testa di combustione e controllare la posizione degli elettrodi.
- Rimontare i pezzi.
- Verificare la tenuta dei raccordi gas.
- Verificare il camino.
- Far ripartire il bruciatore.
- Controllare i parametri della combustione.

Prima di ogni intervento controllare:

- Che ci sia corrente elettrica nell'impianto e il bruciatore collegato.
- Che la pressione del gas sia corretta e il rubinetto di intercettazione del gas aperto.
- Che i sistemi di controllo siano regolarmente collegati. Se tutte queste condizioni sono soddisfatte, far partire il bruciatore premendo il pulsante di

sblocco.

- Controllare il ciclo del bruciatore.

Il bruciatore non si avvia:

- Controllare l'interruttore, i termostati, il motore, pressione gas.

Il bruciatore effettua la preventilazione ed al termine del ciclo va in blocco:

- Controllare la pressione dell'aria e la ventola.
- Controllare il pressostato aria.

Il bruciatore effettua la preventilazione e non accende:

- Verificare il montaggio e la posizione degli elettrodi.
- Verificare il cavo di accensione.
- Verificare il trasformatore di accensione.
- Verificare l'apparecchiatura di sicurezza.

Il bruciatore si accende e dopo il tempo di sicurezza va in blocco:

- Controllare fase e neutro che siano collegati correttamente.
- Controllare l'elettrovalvole del gas.
- Controllare la posizione dell'elettrodo di rivelazione e la sua connessione.
- Controllare l'elettrodo di rivelazione.
- Controllare l'apparecchiatura di sicurezza.

Il bruciatore si accende e dopo qualche minuto di funzionamento va in blocco:

- Controllare il regolatore di pressione ed il filtro gas.

- Controllare la pressione del gas con un manometro.

- Controllare il valore di rivelazione.

Contenus généraux - Sommaire - Notices générales - Déclaration de conformité

Vue d'ensemble	Données techniques	3
	Domaine de fonctionnement	4
	Dimensions	5
Contenus généraux	Sommaire	26
	Notices générales - Déclaration de conformité	26
	Description du brûleur	27
Fonction	Fonctions générales de sécurité	28
	Display - Tableau de commande	29
Installation	Montage du brûleur	30
	Raccordement électrique	31
	Contrôles avant la mise en service	31
Mise en service	Réglage du brûleur	32
	Réglage des pressostats d'air et de gaz	33
Maintenance	Entretien	34
	Problèmes possibles	35
Vue d'ensemble	Diagrammes perte de pression de gaz	66-69
	Schémas électrique	70-71
	Pièces de rechange	72-74

Mise en garde

Les brûleurs BLU sont conçus pour la combustion de gaz naturel et de gaz propane, avec faibles rejets polluants. D'un point de vue conception et fonctionnement, les brûleurs répondent à la norme EN 676. Le montage, la mise en route et l'entretien ne peuvent être exécutés que par des spécialistes autorisés, dans le respect des directives et prescriptions en vigueur.

Description du brûleur

Le brûleur BLU PRE à électroniques progressive, à fonctionnement complètement automatique en exécution monobloc. La construction spéciale de la tête de combustion permet une combustion à un faible taux d'oxyde d'azote et avec un coefficient de rendement élevé. Les valeurs des émissions correspondent à la classe 3, définie par EN676 (NOx<80mg/kWh). Selon la géométrie du foyer, la charge du foyer et le système de combustion (chaudière à trois parcours, chaudière à foyer borgne), des valeurs d'émission différentes peuvent en résulter. Ils conviennent pour l'équipement de tous les générateurs de chaleur conformes à la norme EN 303, ou de générateurs d'air chaud selon la norme DIN 4794 ou DIN 30697, dans leur plage de puissances. Toute autre utilisation doit faire l'objet d'une demande d'autorisation auprès d'Ecoflam. Pour un fonctionnement en toute sécurité, respectueux de l'environnement et

économique en énergie, il faut prendre en considération les normes suivantes:

EN 676
Brûleurs gaz à air soufflé

EN 226
Raccordement de brûleurs fuel à nébulisation et brûleurs gaz à air soufflé à un générateur de chaleur.

EN 60335-1, -2-102
Sécurité d'appareils électriques pour usage domestique, règles particulières pour les appareils à combustion au gaz.

Lieu d'installation

Le brûleur ne doit pas être mis en service dans des locaux exposés à des vapeurs agressives (p. ex. laque pour cheveux, tétrachloréthylène, tétrachlorure de carbone), poussières importantes ou humidité de l'air élevée (p. ex. dans des buanderies).

Le local d'installation doit être correctement aéré de manière à garantir les conditions pour une bonne combustion. Les dispositions locales peuvent contenir des prescriptions différentes.

Les dommages résultant des causes suivantes ne pourront pas être couverts par la garantie:
- utilisation inappropriée.
- installation et/ou remise en état erronées par l'acheteur ou par un tiers, y compris la mise en place de pièces d'autres origines.

Déclaration de conformité pour brûleurs de gaz

Nous ,

Ecoflam Bruciatori S.p.A.

déclarons sous notre responsabilité, que les brûleurs de gaz

BLU

sont en conformité avec les normes suivantes:

EN 676	EN 50156-1
EN 55014-1	EN 55014-2
EN 60335-1	EN 60335-2-102
EN 61000-6-2	EN 61000-6-3

Ces produits sont marqués avec la marque CE dans le respect des directives:
2014/35/UE Low Voltage Directive
2014/30/UE EMC Directive
2006/42/EC Machine directive
2011/65/EU RoHS2 directive
2009/142/CEE Gas Appliance Directive

February, 2016 / Mr. Ruben Cattaneo
R&D manager



Remise de l'installation et conseils d'utilisation

L'artisan qui réalise l'installation doit donner à l'utilisateur, au plus tard au moment de la réception de l'installation, les notices d'utilisation et d'entretien. Elles doivent être conservées bien visibles dans la chaufferie. L'adresse et le numéro d'appel de la station-service la plus proche doivent y être inscrits .

Conseils à l'utilisateur

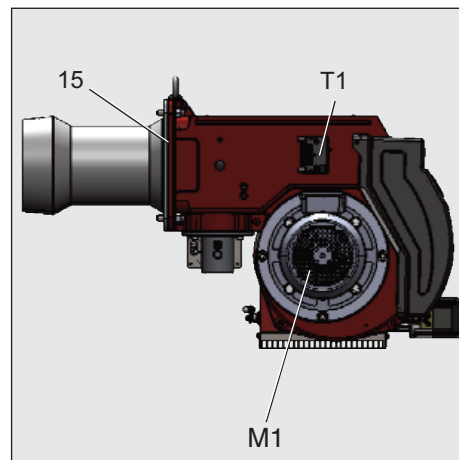
L'installation doit être vérifiée au moins une fois par an par un spécialiste. Pour en garantir l'exécution régulière, la conclusion d'un contrat d'entretien est fortement conseillée. contract to guarantee regular servicing.

Les brûleurs Ecoflam ont été conçus et construits dans le respect des réglementations et des directives actuelles. Tous les brûleurs sont conformes aux réglementations relatives à la sécurité et aux économies d'énergie dans la limite du domaine d'utilisation déclaré. La qualité du produit est garantie par le système de certification conformément à la norme ISO 9001:2008.

Contenus généraux - Description du brûleur

BLU 2000.1 PRE TC

NOM	BLU 2000.1
BLU	
MODÈLE	PRE TC
BLU 2000.1	2000 kW
ÉMISSIONS	
-	Standard Classe 2 - GAS EN676 (≤ 120 mg/kWh)
LN	Low NOx Classe 3 - GAS EN676 (≤ 80 mg/kWh)
TYPE DE FONCTIONNEMENT	
PAB	2 allure
PR	2 allure progressifs mécanique
PRE	2 allure électronique progressive
TYPE TETE	
TC	Tête courte
TL	Tête longue



- A1 Coffret de commande et de sécurité gaz.
- F6 Pressostat air
- M1 Moteur électrique
- T1 Transformateur d'allumage
- 5 Fusion
- 8 Gueulard
- 15 Bride du brûleur
- 103B Régulation de l'air
- 113 Volet d'air

Emballage

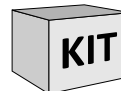
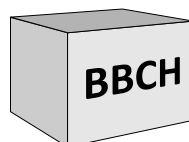
Le brûleur est livré avec un système modulaire d'emballage (boîtes séparées):

BBCH: Brûleur avec une tête de combustion et une bride.

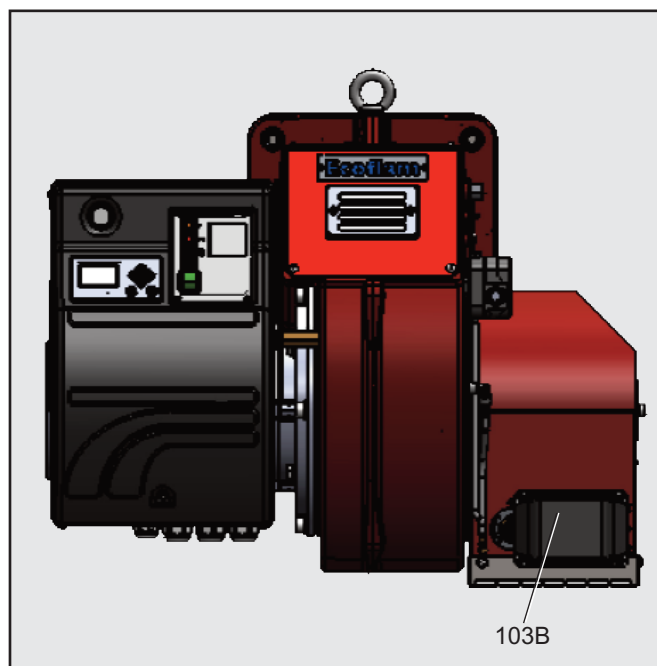
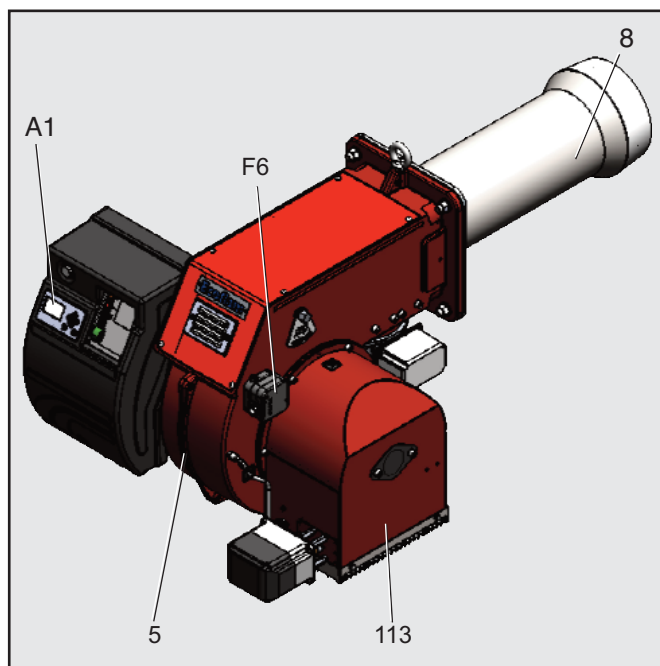
- 1 sachet : - manuel technicien dans multilingue.
- vis, écrous et rondelles.

GT: Rampe gaz séparée

KIT & ACS commandés et livrés séparément



KIT & ACS commandés et livrés séparément



Fonction - Fonctions générales de sécurité

Description du fonctionnement

Lors de la première mise sous tension, après une coupure de tension ainsi qu'une mise en sécurité, après une coupure de gaz ou après un arrêt de 24 heures commence un temps de pré ventilation.

Pendant le temps de préventilation:

- la pression d'air est surveillée.
- contrôle de la présence d'éventuels signaux de flamme anormaux.

Après l'écoulement du temps de préventilation

- l'allumeur est mis en circuit.
- l'électrovanne principale et de sécurité est ouverte.
- démarrage du brûleur.

Surveillance

La flamme est surveillée par une sonde d'ionisation. La sonde est montée de façon isolée sur la tête gaz et est dirigée à travers le déflecteur dans la zone de la flamme. La sonde ne doit pas avoir de contact électrique avec des pièces mises à la terre. Si un court-circuit apparaît entre la sonde et la masse du brûleur, le brûleur se met en défaut. En fonctionnement, une zone ionisée naît dans la flamme gaz à travers laquelle un courant redressé circule de la sonde vers le tube du brûleur.

Fonctions de sécurité

- Si aucune flamme ne se forme au démarrage du brûleur (libération du gaz), le brûleur est coupé après écoulement du temps de sécurité de 3 secondes max., la vanne gaz se ferme.
- En cas de défaillance de la flamme pendant le fonctionnement, l'alimentation

en gaz est interrompue en l'espace d'une seconde. Un nouveau démarrage est lancé. Si le brûleur démarre, le cycle de fonctionnement se poursuit. Autrement il s'ensuit une mise en sécurité.

- En cas de manque d'air pendant la préventilation ou le fonctionnement, une mise en sécurité intervient.
- En cas de manque de gaz, le brûleur ne se met pas en fonctionnement et/ ou s'arrête.

Lors de l'arrêt de régulation

- Le thermostat de régulation interrompt la demande de chauffe.
- Les vannes gaz se ferment.
- La flamme s'éteint.
- Le moteur de ventilation s'arrête.
- Le brûleur est prêt à fonctionner.

Contrôle de l'étanchéité des vannes pour brûleurs dans la version PRE

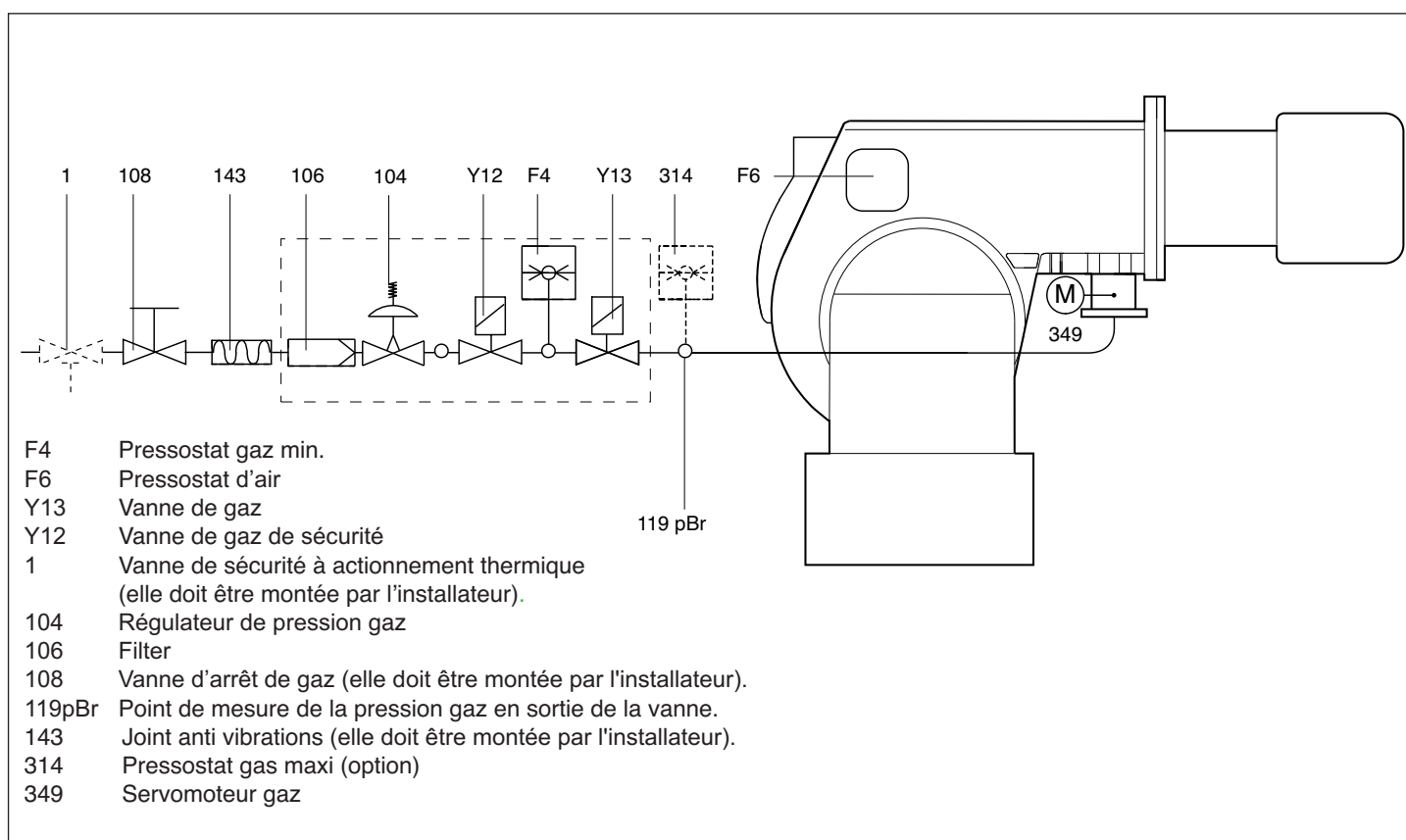
Sa fonction est généralement activée dans les brûleurs PRE. Avant la mise en fonction du brûleur, vérifier si ce contrôle est "ACTIVÉ" (voir le menu dans la section 5 "Operating Control and Displays" page 64, fig.5-32").

Si le contrôle de l'étanchéité des vannes n'est pas obligatoire et "NON ACTIVÉ" dans le menu, la conformation de la rampe de gaz doit être modifiée en plaçant le pressostat de pression minimale du gaz F4 en amont de la première vanne de gaz, c'est-à-dire avant le dispositif Y12 (vanne principale 1).

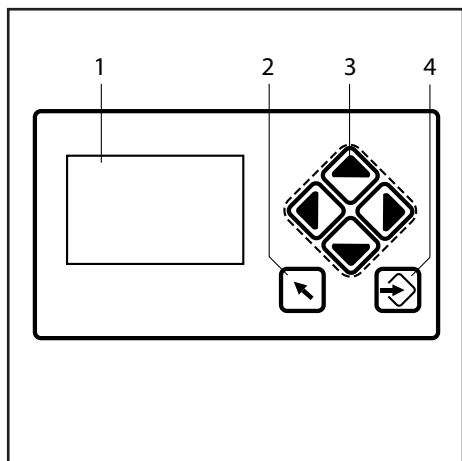
Principe de fonctionnement:
Le contrôle de l'étanchéité vérifie

l'étanchéité des vannes principales du gaz. La pression du gaz d'alimentation est utilisée en vue d'effectuer la vérification. Car, en cas d'extinction du brûleur, le tronçon de contrôle de l'étanchéité (espace entre les deux vannes principales) est vidé. Normalement, cette section ne présente pas de pression lors du démarrage (le pressostat de pression minimale du gaz est sur la position 0). La vérification est effectuée par l'appareil BT. Ensuite, la vanne principale 1 est ouverte brièvement et le gaz afflue dans le tronçon de contrôle (le pressostat de pression minimale du gaz passe de 0 à 1). Pendant le temps d'ouverture de la vanne principale 1, la pression du gaz doit être présente. Dans le cas contraire, l'appareil BT détecte l'absence de gaz. La pression du gaz devra rester constante au moins pendant toute la durée de la période de contrôle de l'étanchéité (2 secondes + P 311). Ensuite, le contrôle de l'étanchéité est considéré conclu.

Si le tronçon où le contrôle de l'étanchéité est effectué n'est pas vide au démarrage (par exemple en raison d'un blocage de sécurité), la vanne principale 2 devra être ouverte en premier puis le tronçon de contrôle de l'étanchéité est purgé. Pendant la période où le contrôle de l'étanchéité est effectué, le tronçon de contrôle reste ou pas sans pression. Puis le processus se poursuit comme décrit ci-dessus.



Fonction - Display UI300



- 1 Afficheur
- 2 Touche en arrière
- 3 Touches curseur
- 4 Touche entrée

Écran

L'écran mène vers différents menus avec des pictogrammes et indique:

- La structure du menu.
- Les états de fonctionnement.
- Les paramètres.
- Les messages d'erreur.



Aller à la fenêtre précédente.



Avec les touches du curseur, il est possible de naviguer dans le menu. À l'aide des touches flèche à droite et flèche à gauche, il est possible de se déplacer progressivement vers la ligne sélectionnée. À la fin de la ligne sélectionnée, le curseur se déplace vers la ligne inférieure si elle est présente. Dans le cas de menus avec plusieurs lignes, il est possible de basculer sur les lignes supérieures ou inférieures en appuyant sur les touches. Il est possible de passer d'un champ à l'autre pour les pages-écrans des paramètres.



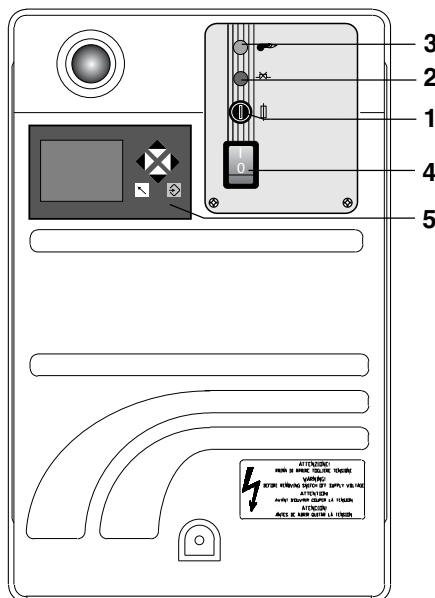
Il est possible de rappeler le menu sur la page-écran de démarrage avec la touche Entrée. Il est donc possible d'ouvrir le sous-menu sélectionné dans une fenêtre du menu. Dans une fenêtre des paramètres, grâce à la touche Entrée, il est possible de transférer les valeurs configurées. Si la touche ENTRÉE s'allume en rouge, il est possible d'effectuer un déblocage défauts sur BT3xx. Si la touche Entrée s'allume en rouge de façon permanente, une anomalie s'affiche avec redémarrage automatique.



Avant le montage ou le démontage du coffret, l'appareil doit être mis hors tension. Il ne faut ni ouvrir ni réparer le coffret.

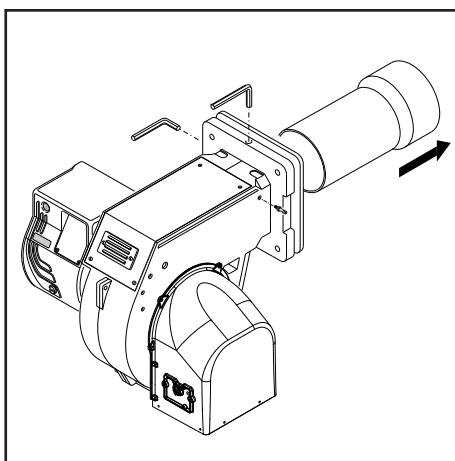
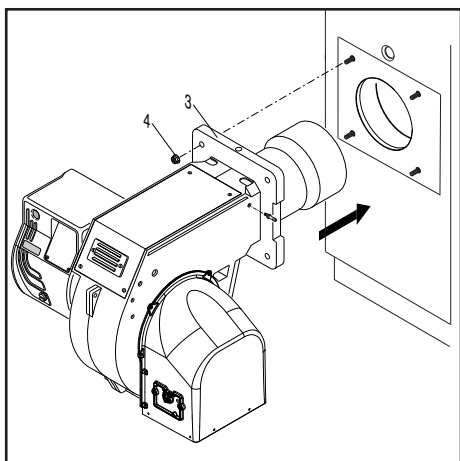
Référez au manuel de LAMTEC.

Function - Tableau de commande



- 1 - Fusible
- 2 - Lampe de thermal de sécurité
- 3 - Lampe de fonctionnement
- 4 - Interrupteur I / O
- 5 - Display

Installation - Montage du brûleur



Montage du brûleur

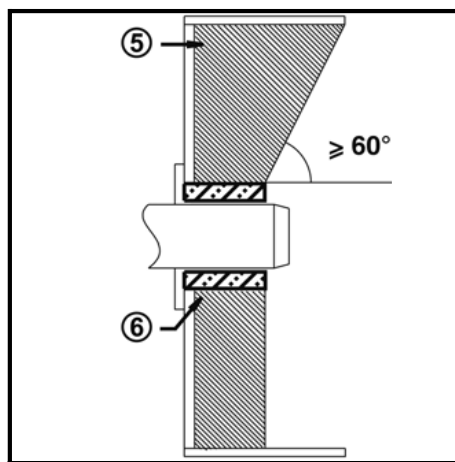
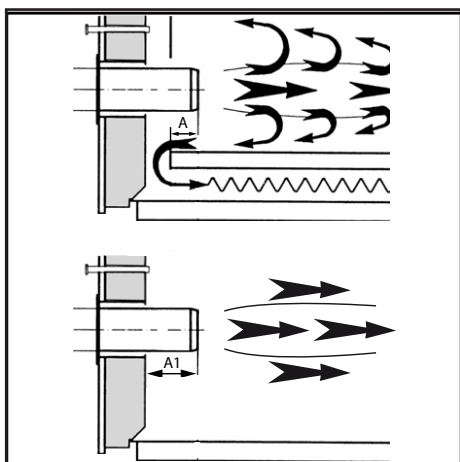
Le brûleur est fixé à la chaudière.

Montage :

- Fixer la bride de fixation 3 à la chaudière au moyen des vis 4.

Démontage :

- desserrez les vis et retirez le brûleur.



Profondeur de montage du tube du brûleur et garnissage en maçonnerie

Pour les générateurs sans paroi avant refroidie et en l'absence d'indications contraires par le constructeur de la chaudière, il est nécessaire de réaliser un garnissage en maçonnerie ou une isolation (5) selon la figure ci-contre. Le garnissage en maçonnerie ne doit pas dépasser la bordure avant du gueulard et sa dépouille conique ne doit pas dépasser 60°. L'interstice d'air (6) doit être comblé avec un matériau d'isolation élastique et ininflammable.

Dans les chaudières, la profondeur de pénétration du tube de flamme doit être respectée tout en tenant compte des indications du constructeur de la chaudière.

Chaudières à foyer borgne :

A = 50-100 mm.

Chaudières à trois passes :

A1 = 50-100 mm.

Ligne d'alimentation en gaz

Dans l'installation de la ligne d'alimentation et de la rampe de gaz, il y a lieu de respecter les consignes de l'EN676. D'autres accessoires devront être montés par l'installateur pour satisfaire à d'éventuelles réglementations locales.

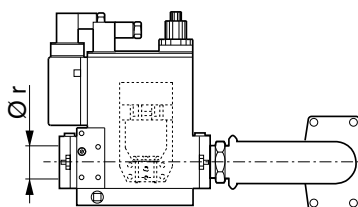
Sous la responsabilité de l'installateur, il est obligatoire d'installer un ou des support(s) additionnel(s) de façon à ne pas surcharger le corps avec la charge des accessoires, tuyaux et autres éléments installés en amont de la rampe de gaz. Le corps du brûleur est conçu pour soutenir seulement le poids de sa propre rampe gaz et des raccords entre celle-ci et le corps du brûleur.

LÉGENDE

Pf: contre-pression dans la chambre de combustion.

Pb: pression du brûleur (tête de combustion + rampe gaz complète)

Pin: pression d'entrée gaz minimale

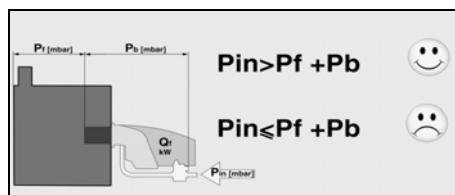


Prescriptions d'ordre général pour le raccordement gaz

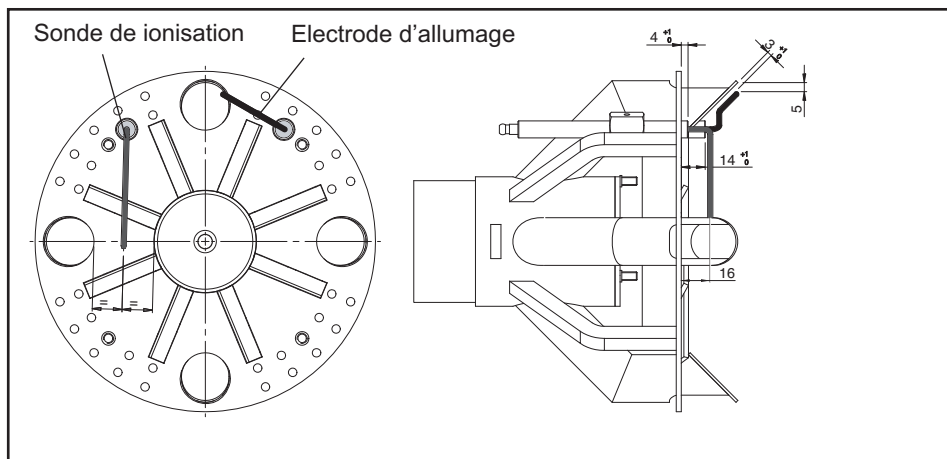
- Le raccordement de la rampe gaz au réseau de gaz ne peut être réalisé que par un technicien spécialiste agréé.
- La section de la tuyauterie de gaz doit être réalisée de telle sorte que la pression d'alimentation gaz ne tombe pas en dessous de la valeur prescrite.
- Une vanne manuelle d'arrêt (non fournie) doit être montée en amont de la rampe gaz.

Mené des fumées

Au fin d'éviter du bruit non désirées, il est recommandé d'éviter les pièces de raccordement à angles droits lors du raccordement de la chaudière à la cheminée.



Installation - Raccordement électrique - Contrôles avant la mise en service



Position électrodes

Toujours vérifier la position des électrodes après leur remplacement ou le montage du KIT LPG. Une position erronée des électrodes pourrait causer des problèmes d'allumage ou de révélation.

Contrôles avant la mise en service

Il convient de contrôler les points suivants avant la première mise en service.

- Montage du brûleur conformément aux présentes instructions.
- Préréglage du brûleur conformément aux indications du tableau de réglage.
- Réglage des organes de combustion.
- Le générateur de chaleur doit être prêt à fonctionner, les prescriptions d'exploitation du générateur de chaleur doivent être respectées.
- Toutes les connexions électriques doivent être réalisées correctement.
- Le générateur de chaleur et le système de chauffage sont remplis d'eau, les pompes de circulation sont en service.
- Le régulateur de température, le régulateur de pression, la protection contre le manque d'eau et les autres dispositifs de limitation et de sécurité éventuellement présents sont raccordés et opérationnels.
- La cheminée doit être dégagée et le dispositif d'air additionnel, si présent, en fonctionnement.
- Un apport d'air frais suffisant doit être garanti.
- La demande de chaleur doit être présente.
- Une pression de gaz suffisante doit être disponible.
- Les conduites de combustible doivent être montées dans les règles de l'art, leur étanchéité contrôlée et être purgées.
- Un point de mesure conforme aux normes doit être présent, le conduit de fumée jusqu'au point de mesure doit être étanche, de telle manière que les résultats de mesure ne soient pas faussés.

Raccordement électrique

L'installation électrique et les travaux de raccordement doivent être réalisés exclusivement par le personnel qualifié et autorisé.

Les prescriptions et directives en vigueur doivent être respectées.

L'installation d'alimentation devra être munie d'un interrupteur différentiel de type A.

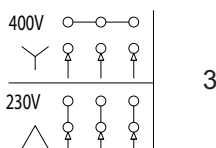
Respecter obligatoirement les prescriptions et les directives en vigueur, outre le schéma électrique fourni avec le brûleur!

- S'assurer que l'appareil est bien relié à une installation de mise à la terre efficace.
- Vérifier si le fil de terre du câble d'alimentation dépasse de quelques centimètres les autres câbles.
- Vérifier si la tension électrique d'alimentation correspond à la tension indiquée dans le schéma électrique et sur la plaque signalétique.
- Fusible du brûleur : 5 A

Instructions: adapter les moteur électriques d'une puissance égale ou inférieure à 3 kW à l'alimentation 220-230 V

Il est possible de modifier la tension du brûleur de la manière suivante:

1. changer le lien à l'intérieur de la boîte du moteur électrique: d'étoile en triangle (voir image 3);
2. modifier le réglage du relais thermique, se référant aux valeurs d'absorption indiquées sur la plaque signalétique du moteur. Si nécessaire, remplacer le relais thermique avec un autre d'échelle appropriée. Cette opération n'est pas possible sur les moteurs supérieurs à 3 kW. Pour plus de renseignements, s'il vous plaît contacter le personnel Ecoflam.



Raccordement électrique par connecteurs

Le brûleur doit pouvoir être déconnecté du réseau à l'aide d'un dispositif de coupure omnipolaire conforme aux normes en vigueur. Le brûleur et le générateur de chaleur (chaudière) sont reliés entre eux par un connecteur. Le brûleur et le générateur de chaleur (chaudière) sont reliés entre eux par au bornier (fig. 1).

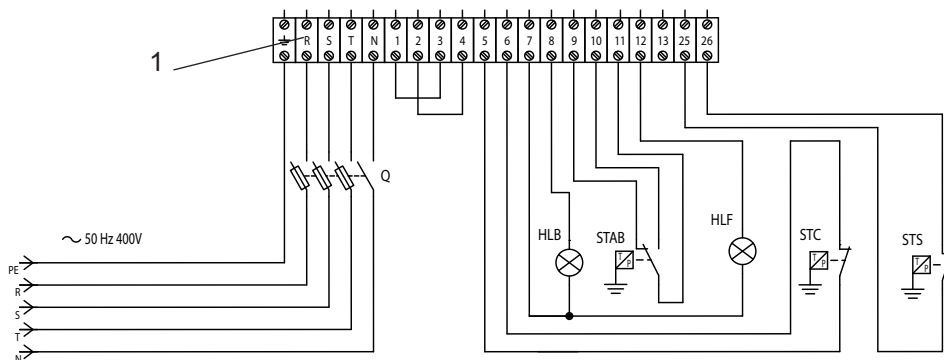
Raccordement de la rampe de gaz

Raccorder la rampe de gaz aux prises situées sur le brûleur.

Les brûleurs sont fabriqués avec d'appropriées connexions d'alimentation 380-400 V triphasées.

Les brûleurs équipés de moteurs électriques d'une puissance égale ou inférieure à 3 kW peuvent être adaptés à l'alimentation 220-230 V (suivre les instructions au verso); les moteurs de puissance supérieure peuvent seulement fonctionner 380-400 V phase.

En cas de demande de brûleurs avec des standards différents par rapport à ceux dessus mentionnés, il est recommandé d'en faire mention spécifique dans la commande.



Mise en service - Réglage du brûleur

Réglage de la puissance maximale du brûleur

Ajustements de l'air et du gaz sont obtenues en réglant les paramètres de BT3xx. Référez au manuel de BT3xx.

Réglage de la puissance minimale du brûleur

Ajustements de l'air et du gaz sont obtenues en réglant les paramètres de BT3xx. Référez au manuel de BT3xx.

Réglage des puissances intermédiaires du brûleur

Ajustements de l'air et du gaz sont obtenues en réglant les paramètres de BT3xx. Référez au manuel de BT3xx.

Réglage de la vanne de gaz

Régler les vannes de gaz en fonction des instructions du manuel de la rampe de gaz.

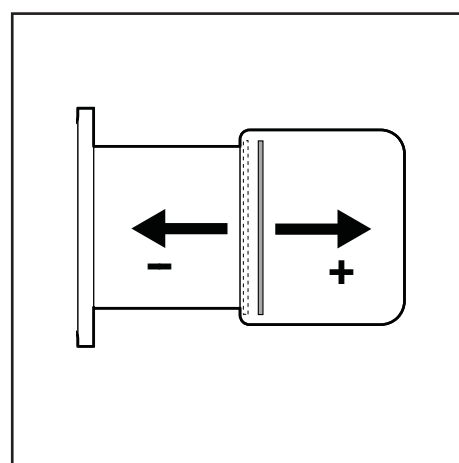
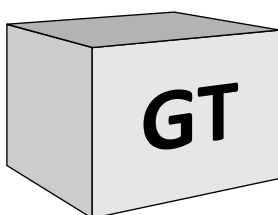
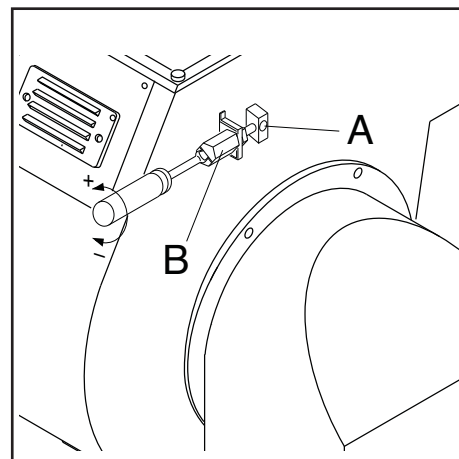
Attention: en cas d'installation sur une chaudière, respecter la température minimale des fumées d'évacuation en fonction des indications du fabricant de la chaudière et selon les exigences du système d'évacuation des fumées, afin d'éviter la formation de condensation.

Régulation de la tête de combustion

La régulation de la tête de combustion est faite pour obtenir le meilleur rendement de combustion.

En cas d'installation du brûleur aux puissances minimales, la tête est reculée, tandis qu'elle est avancée pour les puissances maximales. Exécution:

- desserrer la vis de blocage A introduisant une clé.
- agir à l'aide d'un tournevis sur la vis B jusqu'à atteindre la position désirée.
- serrer à nouveau la vis de blocage A.



Risque de déflagration:

Contrôler en permanence le CO, le CO₂ et les émissions de fumée pendant le réglage. En cas de formation de CO, optimiser les valeurs de combustion. La teneur en CO ne doit pas dépasser 50 ppm.

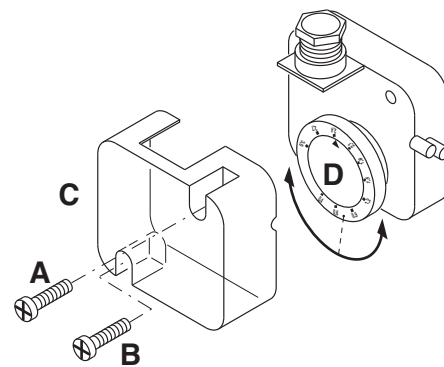
Mise en service - Régulation des pressostat air et gaz

Réglage du pressostat d'air

Le pressostat d'air contrôle la pression de l'air de ventilation.

Dévisser les vis A et B et enlever le couvercle C.

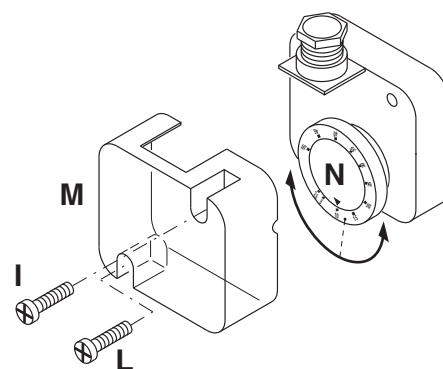
- Procédez à la régulation de la combustion, le pressostat air étant réglé sur son minimum.
- Bouchez l'aspiration de l'air avec un carton en contrôlant les valeurs de O₂ et de CO sur l'analyseur.
- Augmentez progressivement la fermeture du passage de l'air jusqu'à ce que la valeur de CO dépasse légèrement 1000 ppm. Fixez le carton dans cette position.
- Augmentez le réglage du pressostat air jusqu'au blocage du brûleur.
- Le pressostat est à présent réglé de manière à éviter toute production de CO.
- Retirez le carton et remontez le couvercle C.



Réglage du pressostat du gaz min.

Le pressostat gaz mini a la fonction de vérifier que la pression du gaz avant la vanne soit à la valeur minimale pour que le brûleur fonctionne correctement.

Dévisser les vis I et L et enlever le couvercle M. - Positionner le régulateur N à un valeur équivalent au 60% de la pression nominale d'alimentation du gaz (par ex.: pour gaz nat. avec pression nom. de 20 mbar, positionner le régulateur à une valeur de 12 mbar; pour G.L.P. avec pression nom. G30/G31 30/37 mbar, positionner le régulateur à 18 mbar). - Remonter le couvercle M et visser les vis I et L.



Contrôle de fonctionnement

Il convient de procéder à un contrôle de sécurité de la surveillance de flamme aussi bien lors de la première mise en service qu'après des révisions ou un arrêt prolongé de l'installation.

- Essai de démarrage avec la vanne de gaz fermée:

L'appareillage de contrôle devra signaler le non fonctionnement par absence de gaz ou se bloquer une fois le temps de sécurité écoulé.

Maintenance - Entretien

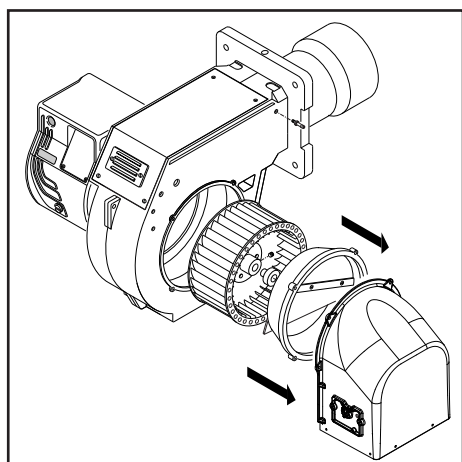
Les travaux d'entretien sur la chaudière et sur le brûleur ne doivent être exécutés que par un spécialiste en chauffage. Afin d'assurer des opérations d'entretien régulières la souscription d'un contrat d'entretien doit être recommandée à l'utilisateur de l'installation.

Attention

- Avant toute intervention d'entretien et de nettoyage, couper l'alimentation électrique.
- L'gueulard et les composantes de la tête peuvent être chauds.

Contrôle des températures des gaz de combustion

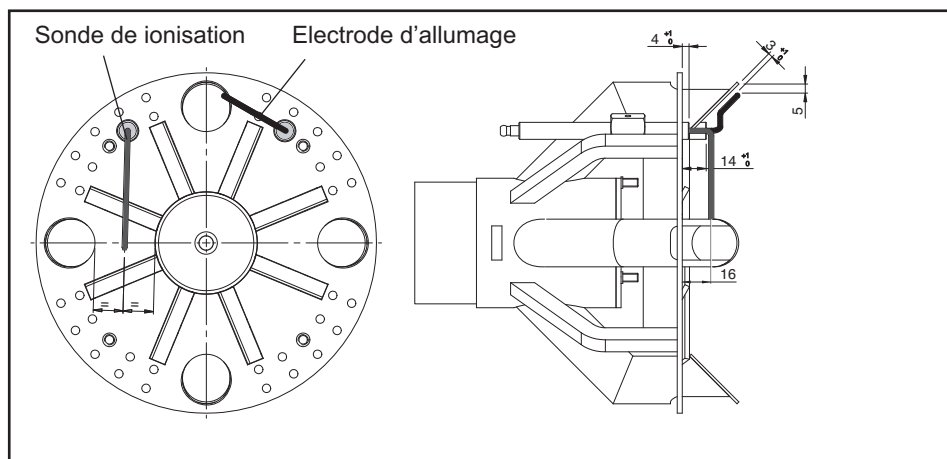
- Contrôler régulièrement la température des gaz de combustion.
- Nettoyer la chaudière lorsque la température des gaz de combustion dépasse la valeur à la mise en service de plus de 30°C.
- Utiliser un afficheur de température des gaz de combustion pour faciliter le contrôle.



Positions d'entretien

- Tous les composants d'alimentation en combustible (flexibles, canalisations) et leurs accouplements respectifs devraient être vérifiés (étanchéité, usure) et changés si nécessaire.
- Vérifier toutes les connexions électriques et les câbles, et les remplacer si nécessaire.
- Vérifier le filtre gaz, le cas échéant le nettoyer ou le remplacer.
- Nettoyer la turbine et le carter, et vérifier qu'ils ne sont pas endommagés.
- Vérifier et nettoyer la tête de combustion.
- Vérifier les électrodes, les régler ou les remplacer si nécessaire.

- Démarrer le brûleur, vérifier la combustion, et corriger les réglages du brûleur si nécessaire.
- Vérifier le manostat d'air et le manostat gaz.
- Vérifier l'aptitude au réglage de la rampe gaz.
- Contrôler le fonctionnement.



Maintenance - Problèmes possibles

Causes et élimination des anomalies

En présence d'anomalies, es conditions de fonctionnement normal doivent être vérifiées:

1. Y a-t-il du courant?
2. Y a-t-il de la pression de gaz?
3. Est-ce que le robinet d'arrêt du gaz est ouvert ?
4. Tous les appareils de régulation et de sécurité tels que thermostat de chaudière, protection contre le manque d'eau, interrupteur de fin de course, sont-ils réglés?

Au cas où, après je contrôle des points susdits, l'anomalie persistait, employer le suivant tableau.

Les composantes de sécurité ne doivent pas être réparés, mais plutôt ils doivent être substitué avec des composantes rapportant le même code article.

Utiliser exclusivement des pièces

derechange d'origine.

NB: Après toute intervention contrôler:

- es valeurs de combustion en conditions de exercice (porte de la locale chaudière éclose, couverture montée, etc).
- enregistrer les valeurs de combustion dans le livret de central.

Maintenance

Contrôle annuel

Le contrôle périodique du brûleur (tête de combustion, électrodes, etc.) doit être effectué, par un technicien autorisé, une ou deux fois par an, suivant l'utilisation. Avant de procéder au contrôle pour la maintenance du brûleur, il est souhaitable de contrôler l'état général du brûleur et d'effectuer les opérations suivantes:

- Débrancher le brûleur (enlever la prise).
- Fermer le robinet d'arrivée du gaz.
- Enlever le couvercle du brûleur, nettoyer le ventilateur et l'aspiration de l'air.
- Nettoyer la tête de combustion et contrôler la position des électrodes.
- Remonter les pièces.
- Contrôler l'étanchéité des raccords gaz.
- Contrôler la cheminée.
- Faire redémarrer le brûleur.
- Contrôler les paramètres de la combustion.

Avant chaque intervention contrôler:

- Qu'il y ait du courant électrique dans l'installation et que le brûleur soit branché.
- Que la pression du gaz soit correcte et que le robinet d'arrivée du gaz soit ouvert.
- Que les systèmes de contrôle soient branchés correctement.
- Si toutes ces conditions sont accomplies, faire démarrer le brûleur en appuyant sur le bouton de déblocage.
- Contrôler le cycle du brûleur.

Le brûleur ne démarre pas:

- Contrôler l'interrupteur, les thermostats, le moteur, la pression du gaz.

Le brûleur effectue le prebalayage et se bloque à la fin du cycle:

- Contrôler la pression de l'air et le ventilateur.
- Contrôler le pressostat de l'air.

Le brûleur effectue le prebalayage et ne s'allume pas :

- Contrôler le montage et la position des électrodes.
- Contrôler le câble d'allumage.
- Contrôler le transformateur d'allumage.
- Contrôler le coffret de sécurité.

Le brûleur s'allume et se bloque après le temps de sécurité:

- Contrôler que la phase et le neutre soient branchés correctement.
- Contrôler l'électrovanne du gaz.
- Contrôler la position de l'électrode de détection et son branchement.
- Contrôler l'électrode de détection.
- Contrôler le dispositif de sécurité.

Le brûleur s'allume et se bloque après quelques minutes de fonctionnement :

- Contrôler le régulateur de pression et le filtre du gaz.
- Contrôler la pression du gaz avec un manomètre.
- Contrôler la valeur de détection

Contenidos generales - índice - Advertencias generales - Declaración de conformidad

Descripción	Datos técnicos	3
	Ámbito de funcionamiento	4
	Dimensiones	5
Contenidos generales	índice	36
	Advertencias generales, Declaración de conformidad	36
	Descripción del quemador	37
Función	Funciones generales de seguridad	38
	Display - Cuadro de mandos	39
Instalación	Montaje del quemador	40
	Conexión eléctrica	41
	Comprobaciones previas a la puesta en servicio	41
Puesta en servicio	Ajuste del quemador	42
	Ajuste de los presostatos de aire y gas	43
Mantenimiento	Conservación	44
	Posibles inconvenientes	45
Descripción	Diagramas de pérdida de presión	66-69
	Esquemas eléctrico	70-71
	Piezas de recambio	72-74

Advertencia

Los quemadores BLU se han concebido para la combustión de gas natural y de gas propano con bajas emisiones contaminantes. Los quemadores cumplen la norma EN 676, desde el punto de vista del diseño y del funcionamiento. La instalación, la puesta en marcha y el mantenimiento deben ser realizados exclusivamente por técnicos instaladores autorizados siguiendo las directivas y recomendaciones vigentes.

Descripción del quemador

Los quemadores BLU son aparatos monobloque de electrónica progresiva y con un funcionamiento completamente automático. La construcción especial del cabezal de combustión permite obtener una combustión con un índice de óxidos de nitrógeno débil y un coeficiente de rendimiento elevado. Los valores de las emisiones corresponden a la clase 3, tal como la define la EN676 (NO_x<80mg/kWh). Según la geometría del hogar, la carga del mismo y el sistema de combustión (caldera de tres pasos de humos, caldera con hogar de fondo ciego), pueden obtenerse valores de emisiones diferentes. Son adecuados para todo tipo de generadores de calor que cumplan la norma EN 303 o para generadores-pulsadores de aire caliente fabricados

según la norma DIN 4794 o DIN 30697, en su intervalo de potencias. Cualquier otro uso debe ser objeto de una solicitud de autorización a Ecoflam. Para un funcionamiento completamente seguro, respetuoso con el medio ambiente y económico desde el punto de vista energético, se deben tener en cuenta las siguientes normas:

EN 676

Quemadores de gas de aire soplado

EN 226

Conexión de quemadores de gasóleo y de gas de aire soplado a un generador de calor.

EN 60335-1, -2-102

Seguridad de los dispositivos eléctricos para un uso doméstico, normas especiales para dispositivos de combustión de gas.

Condiciones de instalación

El quemador no se debe poner en servicio en locales expuestos a vapores agresivos (por ejemplo lacas para el cabello, tetracloroetileno, tetracloruro de carbono), con gran cantidad de polvo o alto grado de humedad del aire (por ejemplo en lavanderías). Es necesario que el local de instalación disponga de una ventilación adecuada para garantizar las condiciones para una buena combustión. Las disposiciones locales pueden indicar

Declaración de conformidad para quemadores de gas

Nosotros,

Ecoflam Bruciatori S.p.A.

declaramos bajo nuestra responsabilidad que los quemadores de gas

BLU

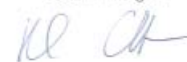
cumplen las normas siguientes:

EN 676 EN 50156-1
EN 55014-1 EN 55014-2
EN 60335-1 EN 60335-2-102
EN 61000-6-2 EN 61000-6-3

Estos productos están marcados con la marca CE de conformidad con la directivas:

2014/35/UE Low Voltage Directive
2014/30/UE EMC Directive
2006/42/EC Machine directive
2011/65/EU RoHS2 directive
2009/142/CEE Gas Appliance Directive

February, 2016 / Mr. Ruben Cattaneo
R&D manager



requisitos diferentes.

No quedan cubiertos por la garantía los daños resultantes de las siguientes causas:

- uso inadecuado.
- montaje defectuoso, instalación realizada por el comprador o un tercero, uso de piezas no originales.

Entrega de la instalación y consejos de uso

El instalador del sistema debe facilitar al usuario de la misma, como muy tarde en el momento de la entrega, las instrucciones de uso y mantenimiento. éstas deben conservarse en un lugar bien visible de la sala de calderas. Deben contener la dirección y número de teléfono del servicio de atención al cliente más cercano.

Advertencia para el operador

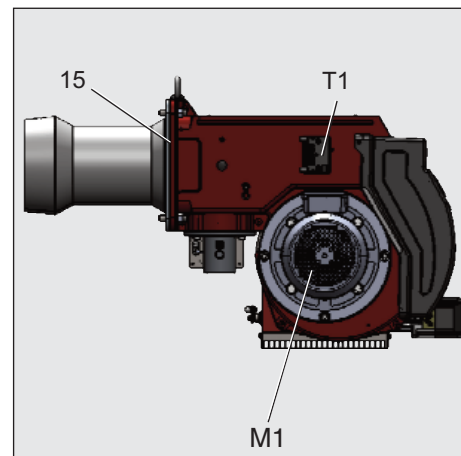
Al menos una vez al año, un técnico especialista deberá revisar la instalación. Para garantizar que dicha revisión se realice de una manera regular, es muy recomendable suscribir un contrato de mantenimiento.

Los quemadores Ecoflam se han diseñado y construido de acuerdo con las normativas y directivas corrientes. Todos los quemadores responden a las normativas sobre la seguridad y sobre el ahorro energético en el límite del campo de trabajo declarado. La calidad del producto está garantizada por el sistema de certificación según la norma ISO 9001:2008.



Contenidos generales - Descripción del quemador

	BLU 2000.1	PRE TC
NOMBRE	BLU	
MODELO	BLU 2000.1 2000 kW	
EMISIONES	- Standard Clase 2 - GAS EN676 (≤ 120 mg/kWh) LN Low NOx Clase 3 - GAS EN676 (≤ 80 mg/kWh)	
TIPO DE OPERACIÓN	PAB 2 llama PR 2 llama progresiva mecánico PRE 2 llama progresiva electrónico	
TIPO DE CABEZA	TC Cabeza corta TL Cabeza larga	



- A1 Cajetín de control y de seguridad gas
- F6 Presostat de aire
- M1 Motor eléctrico
- T1 Transformador
- 5 Fusión
- 8 Tubo de illama
- 15 Brida del quemador
- 103B Regulación del aire
- 113 Toma de aire

Embalaje

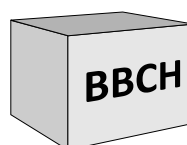
El quemador se entrega con un sistema modular de embalaje (cajas separadas) es decir, separadas set/box:

BBCH: Quemador completo con cabezal de combustión y brida.

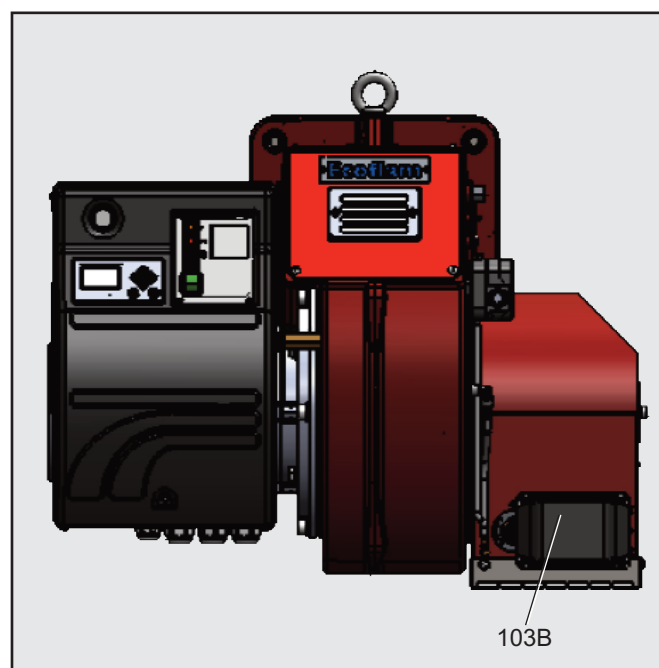
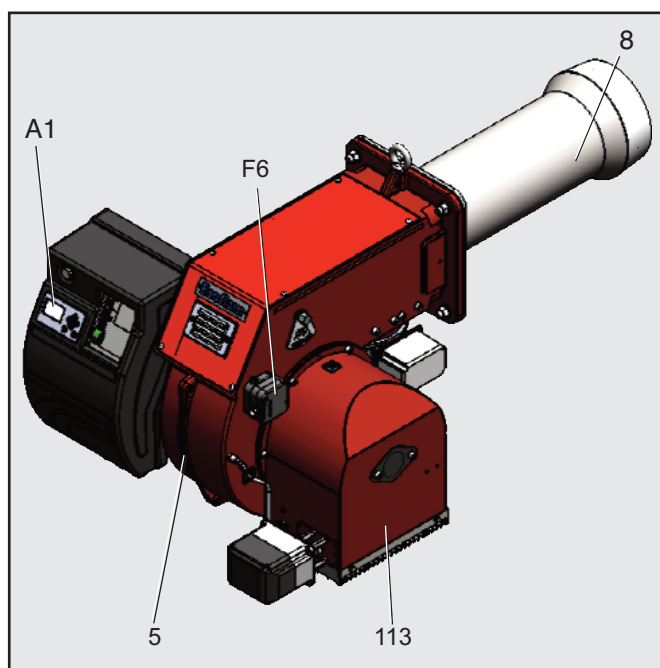
- 1 bolsa : - manual técnico multilingüe.
- tornillo, tuercas y arandelas.

GT: Rampa de gas por separado.

KIT & ACS disponibles y entregados por separado.



KIT & ACS disponibles y entregados por separado



Función - Funciones generales de seguridad

Descripción del funcionamiento

Durante la primera activación, tras un corte de tensión o en caso de parada de seguridad tras una interrupción del suministro de gas o tras una parada de 24 horas, comienza un tiempo de preventilación.

Durante el tiempo de preventilación:

- se vigila la presión de aire inyectado.
- control de la presencia de eventuales señales de llama anómalas.

Transcurrido el tiempo de preventilación

- el encendido entra en el circuito.
- la electroválvula principal y de seguridad está abierta.
- arranque del quemador.

Vigilancia

La llama se vigila por medio de una sonda de ionización. La sonda se monta de manera que quede aislada, en el cabezal de gas y pasa a través del deflector a la zona de llama. La sonda no debe estar en contacto eléctrico con piezas que tengan toma de tierra.

Si se produce un cortocircuito entre la sonda y la masa del quemador, el quemador indicará un fallo.

Durante el funcionamiento se crea una zona ionizada en la llama de gas. Por esta zona circula una corriente rectificada hacia el extremo del quemador.

Funciones de seguridad

- Si no se produce llama al arrancar el quemador (salida de gas), el quemador se interrumpirá transcurrido el tiempo de seguridad de 3 segundos y la válvula de

seguridad se cierra.

- En caso de fallar la llama durante el funcionamiento, la alimentación de gas se interrumpe en el espacio de un segundo. Se inicia una nueva puesta en marcha. Si el quemador se pone en marcha, continúa el ciclo de funcionamiento. En caso contrario se produce un bloqueo de seguridad.

- En caso de falta de aire durante la preventilación o el funcionamiento, se produce el bloqueo de seguridad.
- En caso de falta de gas, el quemador no se pondrá en marcha o se detendrá.

Parada de ajuste

- El termostato de regulación interrumpe la solicitud de calor.
- Las válvulas de gas se cierran.
- La llama se apaga.
- El motor de ventilación se detiene.
- El quemador está listo para funcionar.

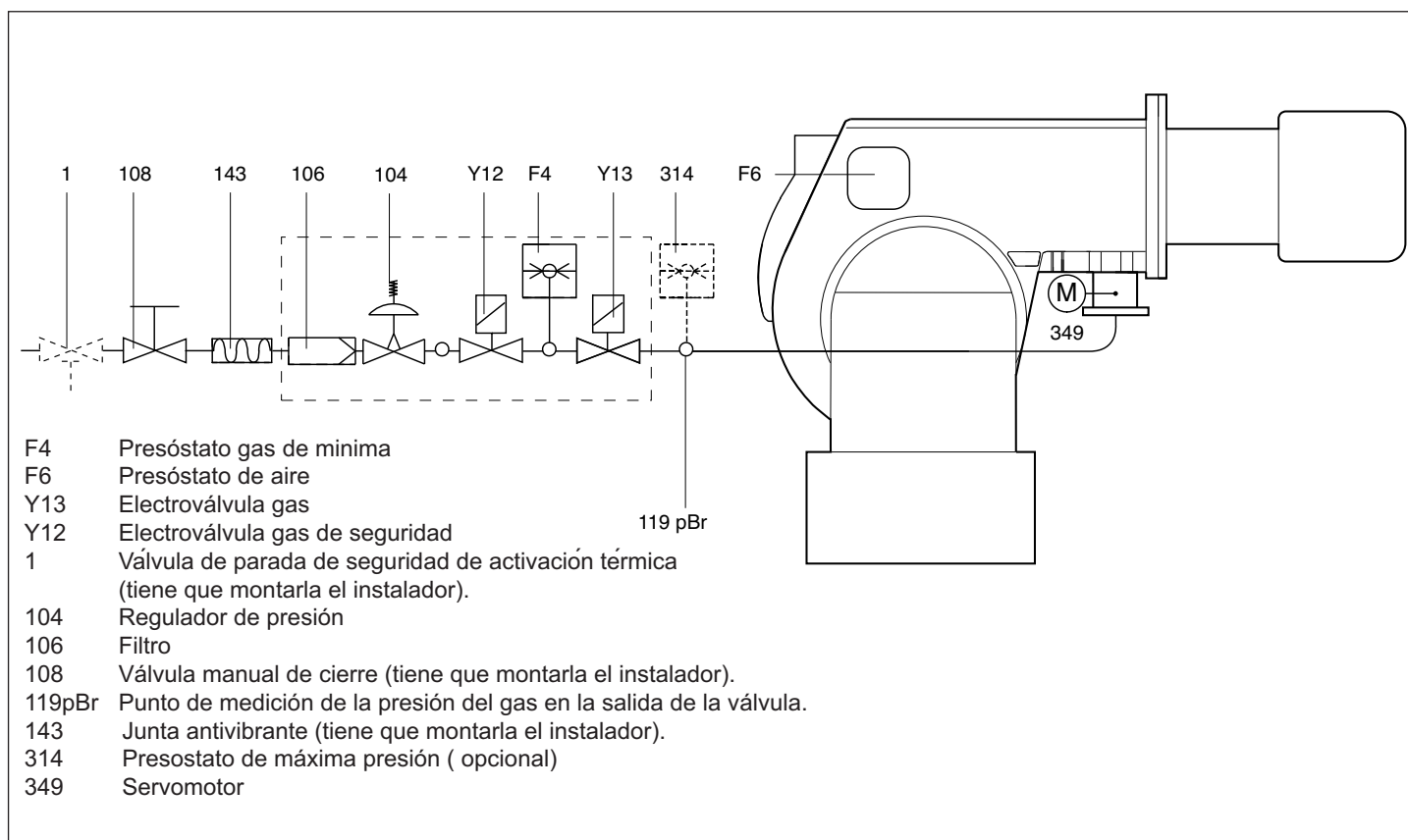
Control de estanqueidad de las válvulas para quemadores versión PRE

La función suele estar activada en los quemadores PRE. Antes de la puesta en funcionamiento del quemador, verificar si este control está "ACTIVADO" (ver el menú en la sección 5 "Operating Control and Displays" page 64, fig.5-32"). Si el control de estanqueidad de las válvulas no es obligatorio y está "NO ACTIVADO" en el menú, la conformación de la rampa gas se debe modificar llevando el presostato gas de mínima F4 aguas arriba de la primera válvula gas, es decir, antes del dispositivo Y12 (válvula principal 1).

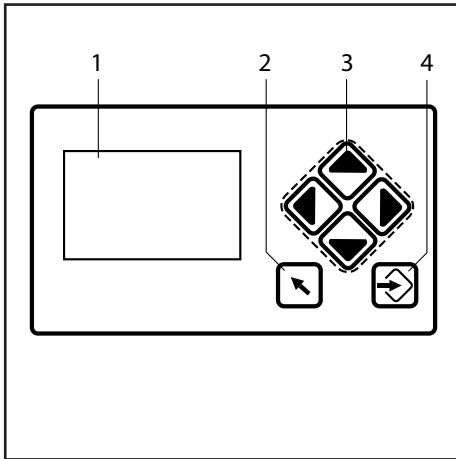
Principio de funcionamiento:

El control de estanqueidad verifica la estanqueidad de las válvulas principales del gas. Para la verificación se utiliza la presión del gas de alimentación. Dado que, en caso de apagado del quemador, el tramo de control de la estanqueidad (espacio entre las dos válvulas principales) se vacía, normalmente esta sección no presenta presión durante el arranque (el presostato gas de mínima está en 0). La verificación es efectuada por el aparato BT. A continuación se abre brevemente la válvula principal 1 y el gas fluye al tramo de control (el presostato gas de mínima pasa de 0 a 1). Durante el tiempo de apertura de la válvula principal 1 es necesario que haya presión del gas. En caso contrario, el aparato BT detecta ausencia de gas. La presión del gas deberá permanecer constante al menos durante todo el período del control de estanqueidad (2 segundos + P 311). Luego el control de estanqueidad se considerará concluido.

Si el tramo en el que se efectúa el control de estanqueidad al arranque no está vacío (por ejemplo, después de un bloqueo de seguridad), se abrirá primero la válvula principal 2, de manera que se purgará el tramo del control de estanqueidad. Durante el período en que se efectúa el control de estanqueidad, el tramo de control permanece o no sin presión. Luego el proceso continúa como se describió anteriormente.



Función - Display UI300



- 1 Display
- 2 Tecla Atrás
- 3 Teclas cursor
- 4 Tecla Intro

Display

El display permite navegar en los distintos menús con pictogramas, y muestra:

- La estructura del menú
- Los estados operativos
- Los parámetros
- Los mensajes de error



Pasa a la ventana anterior.



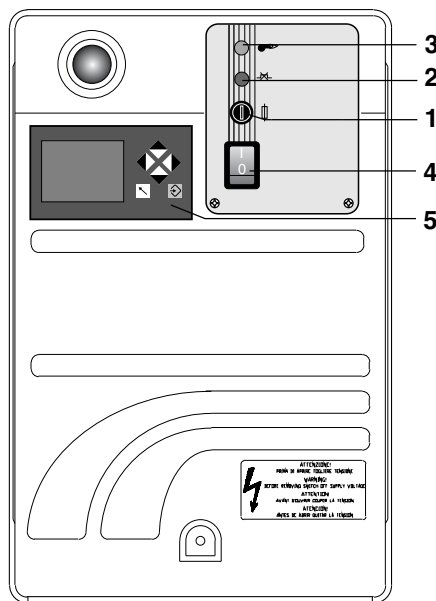
Con las teclas cursor es posible navegar dentro del menú. Con las teclas flecha a derecha e izquierda es posible desplazarse progresivamente hasta la línea seleccionada. Al llegar al final de la línea seleccionada, el cursor pasa a la línea inferior, si la hay. Si el menú tiene varias líneas, pulsando las teclas es posible pasar a las líneas superiores o a las inferiores. En las pantallas de los parámetros es posible pasar de un campo al otro.



Con la tecla Intro es posible abrir el menú en la pantalla inicial. En una ventana del menú será posible abrir el submenú seleccionado. En una ventana de parámetros, con la tecla Intro es posible transferir los valores seleccionados. Si la tecla INTRO se enciende en rojo, es posible efectuar un desbloqueo de defectos en BT300. Si la tecla Intro emite una luz roja permanente, se visualiza una anomalía con reinicio automático..

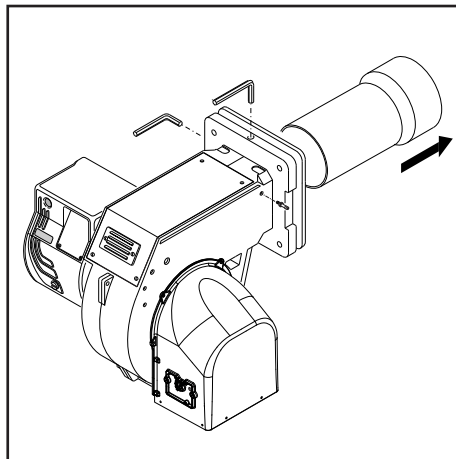
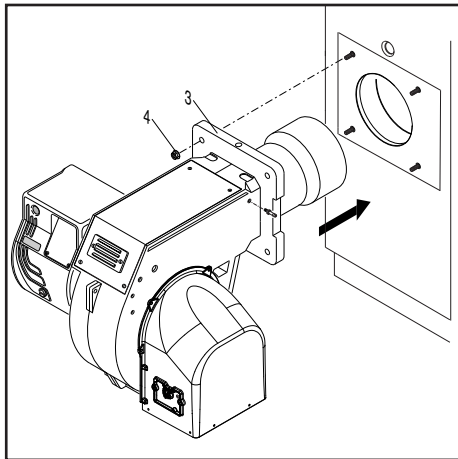
! Antes del montaje o del desmontaje del programador de comando, el equipo debe ser desconectado de la red de alimentación. El programador de comando no debe ser abierto o reparado.

Función - Cuadro de mandos



- 1 - Fusible
- 2 - Espia de bloqueo rele termico
- 3 - Indicador del funcionamiento
- 4 - Interruptor I / O
- 5 - Display

Instalación - Montaje del quemador



Montaje del quemador

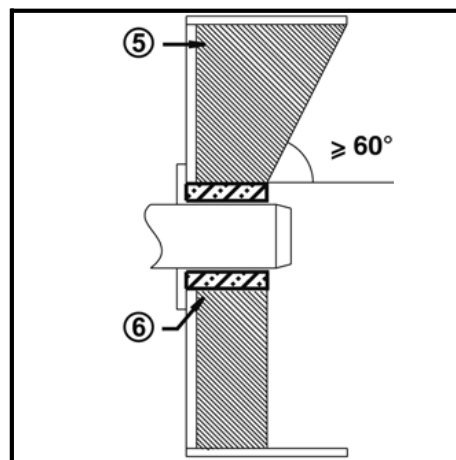
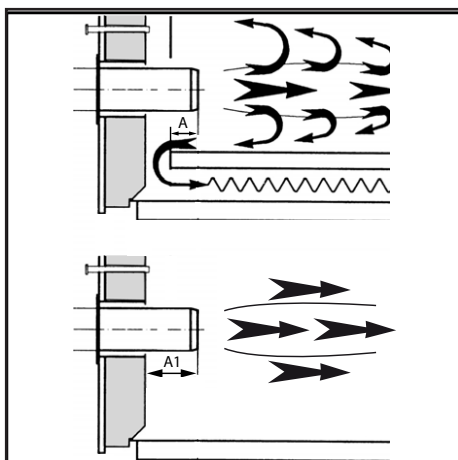
El quemador se fija a la caldera.

Montaje :

- Fijar la brida de encaje 3 a la caldera con los tornillos 4.

Desmontaje :

- Afloje los tornillos y retire el quemador.



Profundidad de montaje del tubo del quemador y guarnecido de albañilería

Para los generadores sin pared delantera enfriada y en ausencia de indicaciones contrarias del fabricante de la caldera, es necesario realizar un guarnecido de albañilería o un aislamiento (5) según la ilustración contigua. El guarnecido de albañilería no debe sobresalir del borde delantero del tubo de llama y su conicidad no debe ser superior a 60°. El hueco de aire (6) debe rellenarse con un material de aislamiento elástico y no inflamable.

Para las calderas se debe respetar la profundidad de penetración del tubo de llama teniendo en cuenta las indicaciones del fabricante de la caldera.

Calderas con combustión inversa :

A = 50-100 mm.

Calderas en tres pasos :

A1 = 50-100 mm.

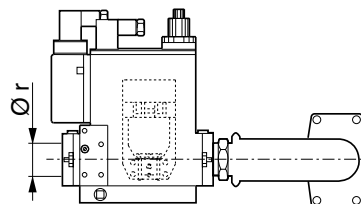
Línea alimentación del gas

En la instalación de la línea de alimentación y de la rampa del gas es necesario cumplir con las disposiciones de la EN676. El instalador tendrá que ocuparse de montar ulteriores accesorios para satisfacer eventuales normativas locales.

Es responsabilidad del instalador

instalar soportes adicionales para no sobrecargar el cuerpo del quemador con el peso muerto de la rampa de gas, los accesorios, los tubos, etc.

El cuerpo del quemador puede soportar sólo la válvula de gas y el tubo entre la válvula de gas y el cuerpo.



Conducto de humo

Con el fin de evitar posibles emisiones acústicas desagradables, se recomienda evitar las piezas de conexión con ángulos rectos durante la conexión de la caldera a la chimenea.

Disposiciones de tipo general para la conexión del gas

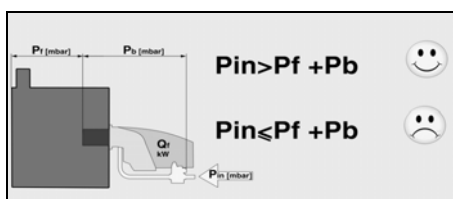
- La conexión de la rampa del gas a la red del gas tiene que efectuarla exclusivamente un técnico experto autorizado.
- La sección del tubo del gas tiene que prepararse de manera que la presión de alimentación del gas no pueda disminuir por debajo del valor establecido.
- Se tiene que montar al inicio de la rampa del gas una válvula de cierre manual (no suministrada).

LEYENDA

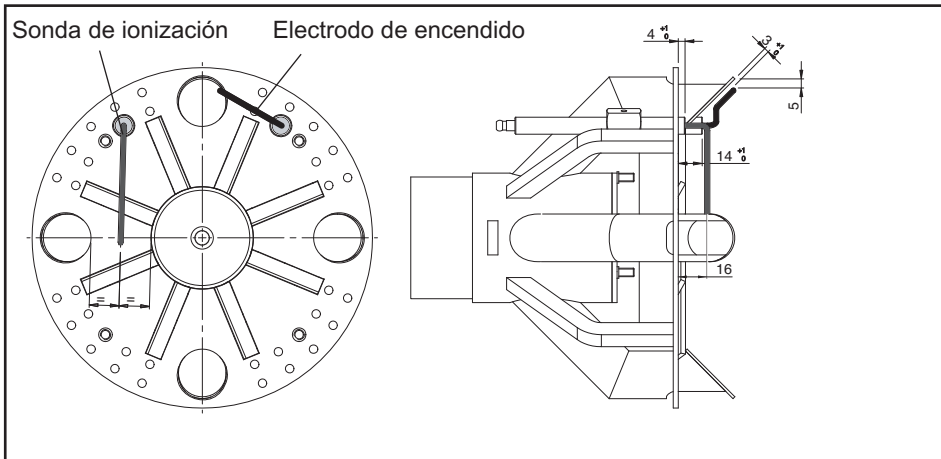
Pf: Controresión en cámara de combustión

Pb: Presión gas quemador (cabeza de combustión + rampa de gas).

Pin: Presión mínima de suministro



Instalación - Conexión eléctrica - Comprobaciones previas a la puesta en servicio



Conexión eléctrica

La instalación eléctrica y los trabajos de conexión debe realizarlos exclusivamente por personal autorizado.

Deben seguirse las recomendaciones y las directivas vigentes.

El equipo de alimentación tiene que disponer de un interruptor diferencial de tipo A.

Respetar obligatoriamente las disposiciones y las directivas en vigor, además del esquema eléctrico suministrado con el quemador!

- Asegurarse que el aparato posea una conexión a tierra eficiente.
- Asegurarse que el conductor a tierra del cable de alimentación sea un par de cm más largo que los otros.
- Compruebe si la tensión eléctrica de alimentación se corresponde con la tensión de funcionamiento indicada en el esquema eléctrico y en la placa de características.
- Fusible del quemador : 5 A

Conexión eléctrica mediante conectores

El quemador debe poder desconectarse de la red por medio de un dispositivo de corte unipolar acorde con la normativa vigente. El quemador y el generador de calor (caldera) están conectados entre sí por medio de una conexión a la regleta de bornes del panel (fig.1).

Conexión de la rampa del gas

Efectuar la conexión de la rampa del gas con las tomas situadas en el quemador.

La configuración estándar de los motores es trifásica 380-400 V.

Los quemadores con motores eléctricos de potencia inferior o igual a 3 kW pueden ser adaptados para la alimentación de 220-230 V (ver instrucciones en el reverso); para motores de potencias superiores, solamente se admite la alimentación trifásica a 380-400 V. Si se necesita un quemador con alimentación a 220 V, mencionarlo específicamente en el pedido.

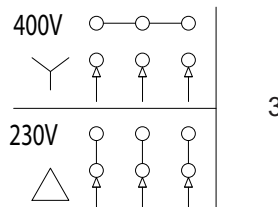
Instrucciones para la alimentación eléctrica a 220-230 V de motores de 3 kW o menos

Los quemadores Ecoflam con motores de

3 kW o menos pueden ser adaptados para ser conectados

a una alimentación eléctrica de 220-230 V; para ello, proceder de la manera siguiente:

1. cambiar la conexión dentro de la caja de alimentación del motor eléctrico, de estrella a delta (ver figura 3);
2. cambiar el ajuste del relé térmico, tomando como referencia los valores de absorción indicados en la placa de datos del motor. De ser necesario, reemplazar el relé térmico con otro de escala adecuada. Esto no es posible con motores de más de 3 kW. Para más información, póngase en contacto con su persona de referencia en Ecoflam.



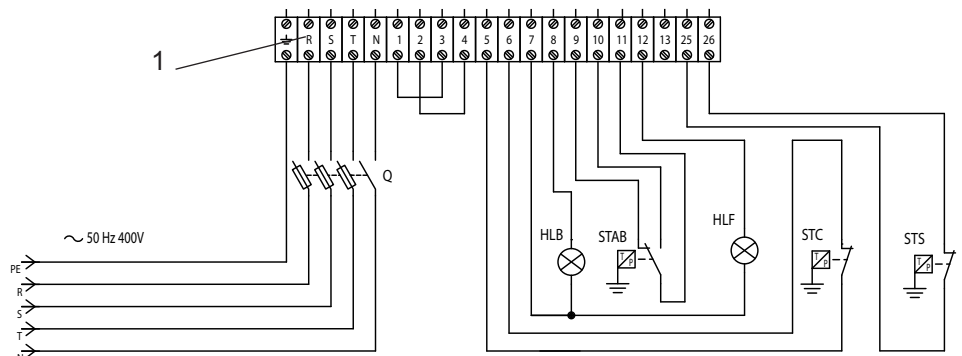
Posición del electrodo

Comprobar siempre la posición de los electrodos tras su sustitución o el montaje del KIT LPG. Una posición errónea puede provocar problemas de encendido o detección.

Controles antes de la puesta en marcha

Conviene controlar los siguientes puntos antes de la puesta en servicio.

- Montaje del quemador de conformidad con las presentes instrucciones.
- Ajuste previo del quemador según las indicaciones del cuadro de ajuste.
- Ajuste de los dispositivos de combustión.
- El generador de calor debe estar listo para funcionar; deben respetarse sus recomendaciones de utilización.
- Todas las conexiones eléctricas deben realizarse correctamente.
- El generador de calor y el sistema de calefacción deben estar lo suficientemente llenos de agua; las bombas de circulación deben funcionar.
- El regulador de temperatura, el regulador de presión, la protección contra la falta de agua y el resto de dispositivos de limitación y de seguridad que puedan encontrarse presentes están conectados y operativos.
- La chimenea debe estar despejada y el dispositivo de aire adicional, si se encuentra instalado, en funcionamiento.
- Se debe garantizar un aporte suficiente de aire fresco.
- La solicitud de calor debe estar presente.
- Tiene que estar disponible una presión de gas suficiente.
- Los conductos de combustible deben estar montados según las reglas del oficio, su estanqueidad comprobada y estar purgados.
- Debe existir un punto de medición conforme a las normas; el conducto de humos hasta el punto de medición debe ser estanco, de tal forma que los resultados de medición no se falseen.



Puesta en servicio - Ajuste del quemador

Regulación de potencia máxima del quemador

La regulación del aire y del gas se obtienen configurando los parámetros de la BT3xx. Tomar como referencia al manual de la BT3xx.

Regulación de potencia mínima del quemador

La regulación del aire y del gas se obtienen configurando los parámetros de la BT3xx. Tomar como referencia al manual de la BT3xx.

Regulación de las potencias intermedias del quemador

La regulación del aire y del gas se obtienen configurando los parámetros de la BT3xx. Tomar como referencia al manual de la BT3xx.

Ajuste de la válvula del gas

Regular las válvulas del gas según las instrucciones del manual de la rampa del gas.

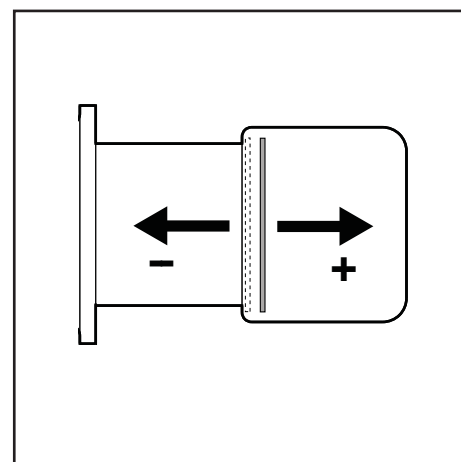
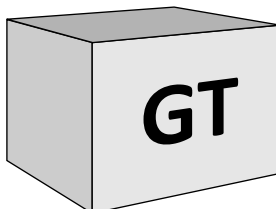
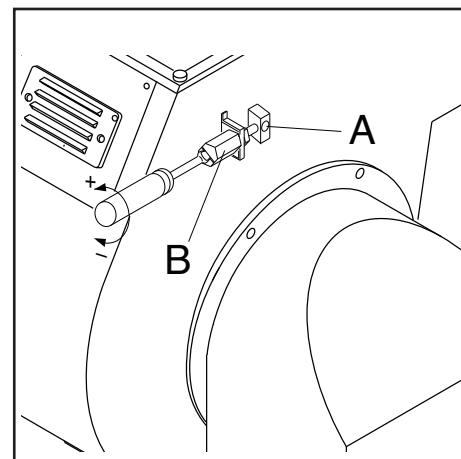
Atención: en caso de instalación sobre caldera, respetar la temperatura mínima de los gases de combustión según las indicaciones del fabricante de la caldera y según los requisitos del sistema de escape de dichos gases, para evitar la formación de condensación.

Reglaje de la cabeza de combustión

La regulación de la posición de la cabeza de combustión es efectuada para obtener el mejor rendimiento de la combustión. En caso de instalaciones con caudales mínimos, la cabeza es arretrada, con caudales máximos es adelantada.

Ejecución:

- aflojar el tornillo A de fijación.
- por medio de un destornillador rodar el tornillo B hasta conseguir la posición que se necesita.
- atornillar el tornillo A.



Existe riesgo de deflagración:

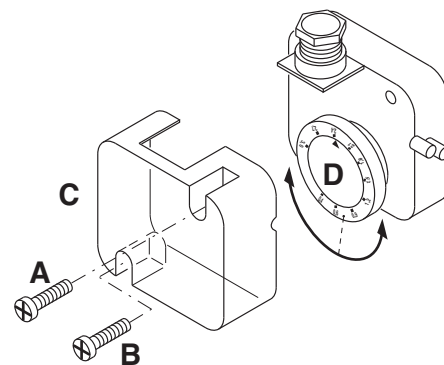
controle constantemente el CO, el CO₂ y las emisiones de humo durante el ajuste. En caso de formación de CO, optimice los valores de combustión. El contenido de CO no debe ser superior a 50 ppm.

Puesta en servicio - Regulación de presóstati aire y gas

Regulación del presóstato aire

El presóstato aire controla la presión de ventilación de aire. Destornillar los tornillos A y B y quitar la tapa C.

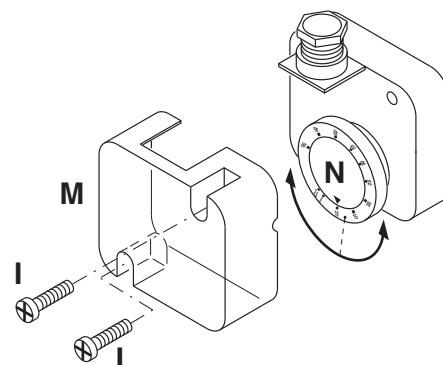
- Ajuste la combustión con el presostato aire al mínimo.
- Obstruya la aspiración del aire con un cartón prestando atención a los valores de O₂ y CO del analizador.
- Aumente progresivamente el cierre del paisaje de aire hasta que el valor del CO esté ligeramente por encima de 1000 ppm. Detenga el cartón en esta posición.
- Aumente el calibrado del presostato aire asta el bloque del quemador.
- Ahora el presostato está calibrado para evitar la producción de CO.
- Quite el cartón y vuelva a montar la tapa C.



Regulación del presóstato gas de mínima

El presóstato gas de mínima tiene la función de verificar que la presión de gas antes de la rampa de gas tenga la mínima presión para asegurar que el quemador funcione correctamente.

Destornillar los tornillos I y L y quitar la tapa M. Posicionar el regulador N a un valor igual al 60% de la presión nominal de alimentación el gas (ej. para gas nat. con pres. nom. de alim. de 20 mbar, regulador regulado al valor de 12 mbar; para G.P.L. con pres. nom. de alim. G30-G31 30/37 mbar, regulador regulado al valor 18 mbar). Remontar la tapa M y atornillar los tornillos I y L.



Control de funcionamiento

Es necesario efectuar un control de seguridad del seguimiento de la llama, tanto con motivo de la primera puesta en función como tras haber efectuado una revisión o tras un largo periodo de inactividad del equipo.

- Prueba de puesta en marcha con el grifo del gas cerrado: el equipo de control tendrá que señalar el no funcionamiento por ausencia de gas o bloquearse al final del tiempo de seguridad.

Mantenimiento - Conservación

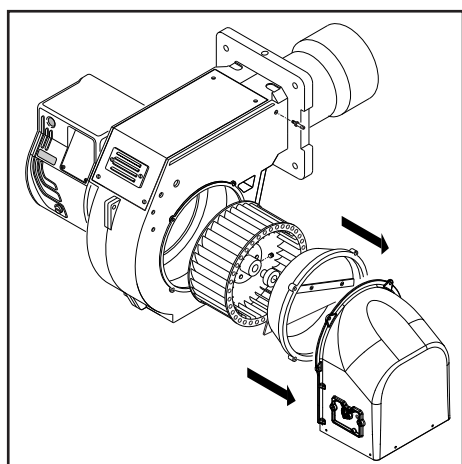
Las operaciones de mantenimiento de la caldera debe llevarlas a cabo un técnico especialista en calefacción. Para garantizar la realización anual de los trabajos de mantenimiento, se recomienda firmar un contrato de mantenimiento.

Atención

- Antes de realizar cualquier intervención de mantenimiento y limpieza, cortar el suministro eléctrico.
- La tobera y los componentes del cabezal pueden estar calientes.

Control de las temperaturas de los gases de combustión

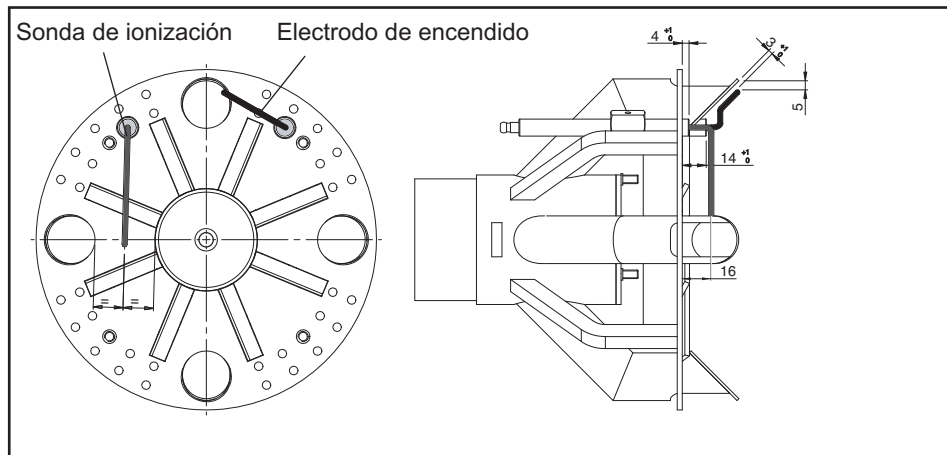
- Compruebe con regularidad la temperatura de los gases de combustión.
- Limpie la caldera cuando la temperatura de los gases de combustión supere el valor de puesta en servicio en más de 30 °C.
- Utilice un indicador de temperatura de los gases de combustión para facilitar la comprobación.



Posiciones de mantenimiento

- Todos los componentes de alimentación de combustible (mangueras, canalizaciones) y sus acoplamientos respectivos deben ser comprobados (estanqueidad, desgaste) y cambiados si es preciso.
- Comprobar las conexiones eléctricas y los cables y sustituirlos en caso necesario.
- Comprobar el filtro de gas, limpiarlo o sustituirlo.
- Limpiar la turbina y el cárter y comprobar que no estén deteriorados.
- Comprobar y limpiar la cabeza de combustión.
- Comprobar los electrodos de encendido, ajustarlos o sustituirlos si es necesario.

- Poner en marcha el quemador, comprobar la combustión y corregir los ajustes del quemador si es necesario.
- Comprobar el presóstato de aire y el presóstato de gas.
- Comprobar la aptitud del ajuste de la rampa de gas.
- Realizar una comprobación de funcionamiento.



Mantenimiento - Posibles inconvenientes

Causas y resolución de anomalía

En caso de anomalía se deben comprobar las condiciones de funcionamiento normal:

1. Hay corriente eléctrica?
2. Hay presión de gas?
3. Está abierta la válvula de cierre del gas?
4. Todos los aparatos de regulación y de seguridad, como por ejemplo el termostato de la caldera, el dispositivo de protección contra la falta de agua, el interruptor de fin de carrera, etc. están regulados?

En el caso de que, después de comprobar los puntos arriba, la anomalía persiste, consulte la tabla siguiente.

Los componentes de seguridad no debe ser reparado, pero se debe reemplazados por componentes de la muestra el mismo número de artículo.

Utilice exclusivamente piezas.

NB: Después de cualquier intervención:

- bajo condiciones de funcionamiento normales (las puertas se cerraron, capilla cabida, etc.), la combustión del cheque y comprueba las líneas individuales para saber si hay escapes.
- Registre los resultados en los documentos relevantes.

Mantenimiento

Controle anual

El control periódico del quemador (cabeza de combustión, electrodos etc.) tiene que ser efectuado por técnicos autorizados una o dos veces cada año, según la utilización del quemador. Antes de proceder con las operaciones de mantenimiento, es aconsejable comprobar el estado general del quemador actuando de la manera siguiente:

- Desconectar la clavija del quemador de la red.
- Cerrar la válvula de cierre del gas.
- Sacar la tapa del quemador y limpiar ventilador y conducto de aspiración del aire.
- Limpiar la cabeza de combustión y comprobar la posición de los electrodos.
- Remontar el todo.
- Comprobar la estanqueidad de las uniones del gas.
- Comprobar la chimenea.
- Arrancar el quemador y comprobar los parámetros de combustión.

Antes de cada intervención comprobar:

- Que hay corriente en la instalación y que el quemador sea conectado.
- Que la presión del gas sea la correcta y la válvula de cierre esté abierta.
- Que los equipos de control estén debidamente conectados.
- Cuando todas estas condiciones se cumplen, arrancar el quemador presionando el botón de bloqueo y comprobar la secuencia de encendido.

Breve guía de averías :

- El quemador no arranca: comprobar el interruptor de arranque, los termostatos, el motor, la presión del gas, el equipo de control de estanqueidad (si lo hay).
- El quemador efectúa el prebarrido pero se pone en seguridad al final del ciclo: comprobar la presión del aire, el ventilador y el presostato del aire.
- El quemador efectúa el prebarrido pero no se enciende: comprobar el montaje y la posición de los electrodos, el cable de encendido, el transformador de encendido, el equipo de control llama y las electroválvulas del gas.
- El quemador se enciende pero se pone en seguridad al cumplir del tiempo de seguridad: comprobar que fase y neutro sean conectados correctamente; comprobar posición y conexión de la sonda de ionización; comprobar el equipo de control de llama.
- El quemador se enciende normalmente pero se pone en seguridad después unos minutos de funcionamiento: comprobar el regulador de presión y el filtro del gas; controlar la presión del gas; controlar el valor de ionización; comprobar los valores de la combustión.

Содержание общего характера - Содержание - Предупреждения общего характера Сертификат соответствия

Обзор	Технические характеристики	3
	Рабочий диапазон	4
	Размеры	5
Содержание общего характера	Содержание - Предупреждения общего характера	46
	Сертификат соответствия	46
	Описание горелки	47
Функция	Общие функции безопасности	48
	Display - панель управления	49
Установка	Установка горелки	50
	Электрическое соединение	51
	Необходимые проверки перед пуском в эксплуатацию	51
Ввод в эксплуатацию	Регулировка горелки	52
	Регулировка реле давления воздуха и газа	53
Техническое обслуживание	Работы по техническому обслуживанию	54
	Возможные неполадки	55
Обзор	Диарамма перепада давления газов	66-69
	Электрические схемы	70-71
	Запчасти	72-74

Основные указания

Горелки BLU спроектированы для сжигания природного газа и газа пропан с низким выбросом в атмосферу загрязняющих веществ. Горелки соответствуют норме EN 676 с точки зрения дизайна и функционирования.

Монтаж, пуск в эксплуатацию и техническое обслуживание должны производиться только квалифицированными техническими специалистами с соблюдением всех действующих директив и предписаний.

Описание горелки

Горелки BLU являются моноблочными двухступенчатый приборами, работающими в полностью автоматическом режиме. Специальная конструкция головки сгорания позволяет достичь сгорания с низким уровнем окислов азота и высоким коэффициентом полезного действия. Величины выбросов соответствуют классу 3, как определено нормой EN676 (NOx<80 мг/кВт.ч). В зависимости от геометрических параметров топочной камеры, нагрузки котла и системы сгорания (трехконтурный котел, котел с замкнутой топочной камерой) значения выделения загрязняющих веществ могут быть различными. Они пригодны для оборудования всех теплогенераторов, соответствующих стандарту EN 303, или нагнетательных генераторов теплого воздуха, соответствующих стандартам DIN 4794 или DIN 30697, в их

мощностном диапазоне. Для любого другого использования требуется разрешение компании Ecoflam. В целях обеспечения безопасного, экологически чистого функционирования, низкого потребления энергии, необходимо соблюдать следующие правила:

EN 676

Вентиляторные газовые горелки (с наддувом)

EN 226

Подключение наддувных жидкотопливных или газовых горелок к теплогенератору.

EN 60335-1, -2-102

Безопасность электроприборов домашнего пользования, особые нормы для аппаратов сгорания на газе.

Условия установки

Горелка не должна эксплуатироваться в помещениях с агрессивной средой (например, с распыляемыми веществами, тетрахлорэтилен, тетрахлорметан), сильно запыленным воздухом или с высокой влажностью (например, в прачечных). Достаточная вентиляция должна быть предусмотрена в помещении, где установлена горелка, так, чтобы обеспечить условия для хорошего сгорания. Местное законодательство может содержать дополнительные требования.

Декларация о соответствии для газовых горелок

Мы, компания,

Ecoflam Bruciatori S.p.A.

заявляем под свою ответственность, что газовые горелки

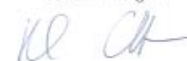
BLU

соответствуют требованиям следующих стандартов:

EN 676	EN 50156-1
EN 55014-1	EN 55014-2
EN 60335-1	EN 60335-2-102
EN 61000-6-2	EN 61000-6-3

Эти изделия маркируются знаком CE в соответствии с директивами:
2014/35/UE Low Voltage Directive
2014/30/UE EMC Directive
2006/42/EC Machine directive
2011/65/EU RoHS2 directive
2009/142/CEE Gas Appliance Directive

February, 2016 / Mr. Ruben Cattaneo
R&D manager



Гарантия не распространяется на возмещение ущерба, вызванного следующими причинами:

- ненадлежащее использование
- неправильная установка, установка, выполненная покупателем или третьими лицами, использование неоригинальных элементов.

Передача установки пользователю и рекомендации по эксплуатации

Установщик обязан не позднее момента передачи установки пользователю передать ему инструкции по эксплуатации и техническому обслуживанию установки. Они должны храниться в котельной на видном месте. В них должен быть указан номер телефона и адрес ближайшего центра технического обслуживания.

Рекомендации пользователю

Не менее одного раза в год оборудование должно проверяться квалифицированным специалистом. Для обеспечения регулярных проверок рекомендуется заключить договор на проведение технического обслуживания.

Горелки производства Ecoflam были разработаны и изготовлены в соответствии с действующими нормативами и директивами. Все горелки соответствуют стандартам безопасности и энергосбережения в пределах заявленного рабочего поля. Качество продукции гарантировано системой сертификации в соответствии с нормой ISO 9001:2008

Содержание общего характера - Описание горелки

BLU 2000.1 PRE TC

НАЗВАНИЕ

BLU

МОДЕЛЬ

BLU 2000.1 2000 кВт

ВЫБРОСЫ

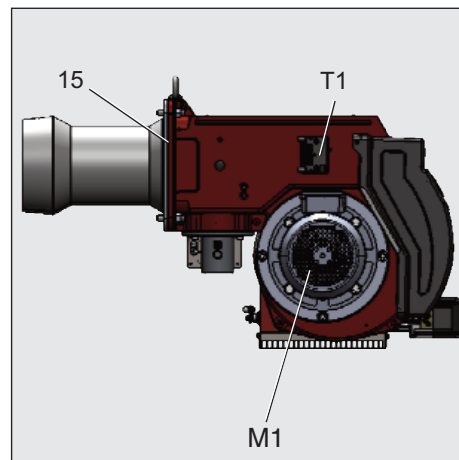
- Стандарт Класс 2 GAS EN676 (≤ 120 мг/кВтч)
 LN Low NOx Класс 3 GAS EN676 (≤ 80 мг/кВтч)

Тип операции

PAB 2 этапы
 PR 2 этапы стадию механического
 PRE 2 этапы прогрессивной электронной

Головка типа

TC КОРОТКАЯ ОГНЕВАЯ ГОЛОВКА
 TL ДЛИННАЯ ОГНЕВАЯ ГОЛОВКА



- A1 Блок управления и безопасности
- F6 Реле давления воздуха
- M1 Электродвигатель вентилятора
- T1 Устройство розжига
- 5 Соединение (шнек)
- 8 Стакан
- 15 Фланец горелки
- 103B Регулировка подачи воздуха
- 113 Короб воздухозабора

Упаковка

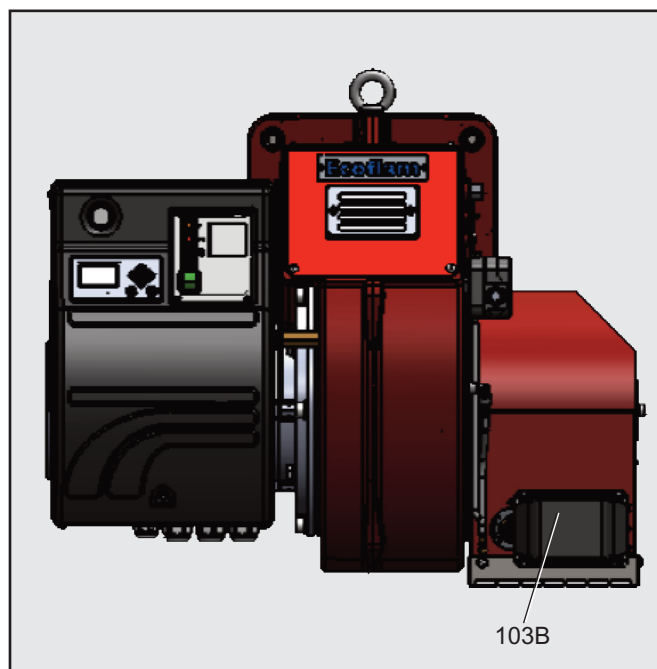
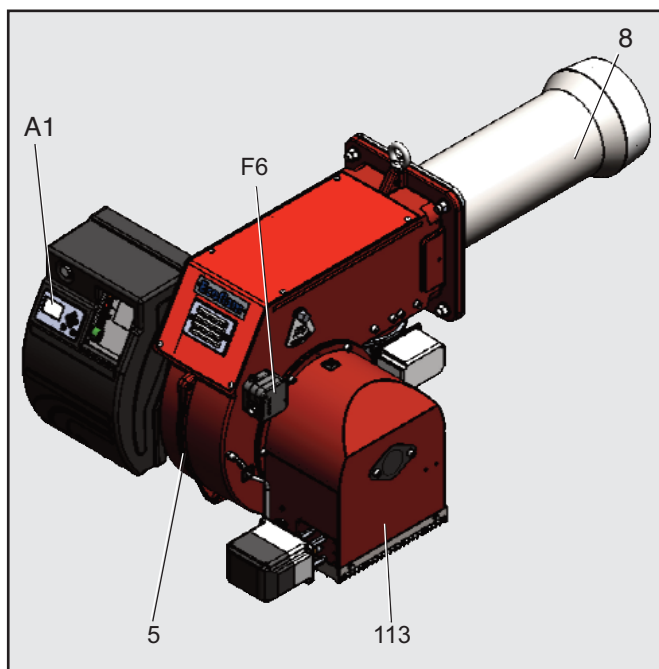
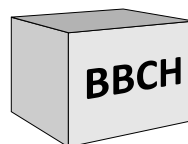
Горелка поставляется с модульной системой упаковки (отдельные коробки) отдельные комплекты/боксы:

BBCH: Горелка в комплекте с головкой сгорания и фланцем.
 - 1 пакет : - многоязычное техническое руководство.
 - винты, гайки и шайбы.

GT: Отдельная газовая рампа.

KIT & ACS заказываемые и поставляемые отдельно

KIT & ACS заказываемые и поставляемые отдельно



Функция - Общие функции безопасности

Описание работы

При первой подаче напряжения, после отключения напряжения или перевода в режим безопасности, после отключения газа или после остановки на 24 часа, начинается время предварительной вентиляции.

В течение предварительной вентиляции:

- давление воздуха находится под контролем.
- контроль присутствия возможных аномальных указаний пламени.

После истечения периода предварительной вентиляции

- запускается розжиг.
- главный и предохранительный электромагнитные клапаны открыты.
- пуск горелки.

Контроль

Пламя контролируется ионизационным зондом. Зонд вместе с изоляцией встроен в газовую головку и проходит через дефлектор в зону пламени. Зонд не должен иметь электрический контакт с заземленными деталями. В случае короткого замыкания между зондом и массой горелки горелка переходит в аварийный режим. При горении в газовом пламени образуется ионизационная зона, эта зона пересекается выпрямленным током, который идет от зонда к соплу горелки.

Режим безопасности

- Если при запуске горелки (пуск газа) не образовалось никакого пламени, то по истечении времени безопасности 3 секунды макс., газовый клапан закрывается.

- В случае исчезновения пламени во время работы подача газа прекращается не позже, чем через секунду. Включается новый цикл запуска. Если горелка запускается, рабочий цикл продолжается. В противном случае происходит переход в режим безопасности.

- В случае нехватки воздуха при предварительной вентиляции или во время работы происходит переход в режим безопасности.

- В случае нехватки газа горелка не включается и/или останавливается.

Остановка регулировки

- Реле регулятора температуры прерывает запрос на нагрев.
- Газовые клапаны закрываются.
- Пламя гаснет.
- Электродвигатель вентилятора останавливается.
- Горелка готова к работе.

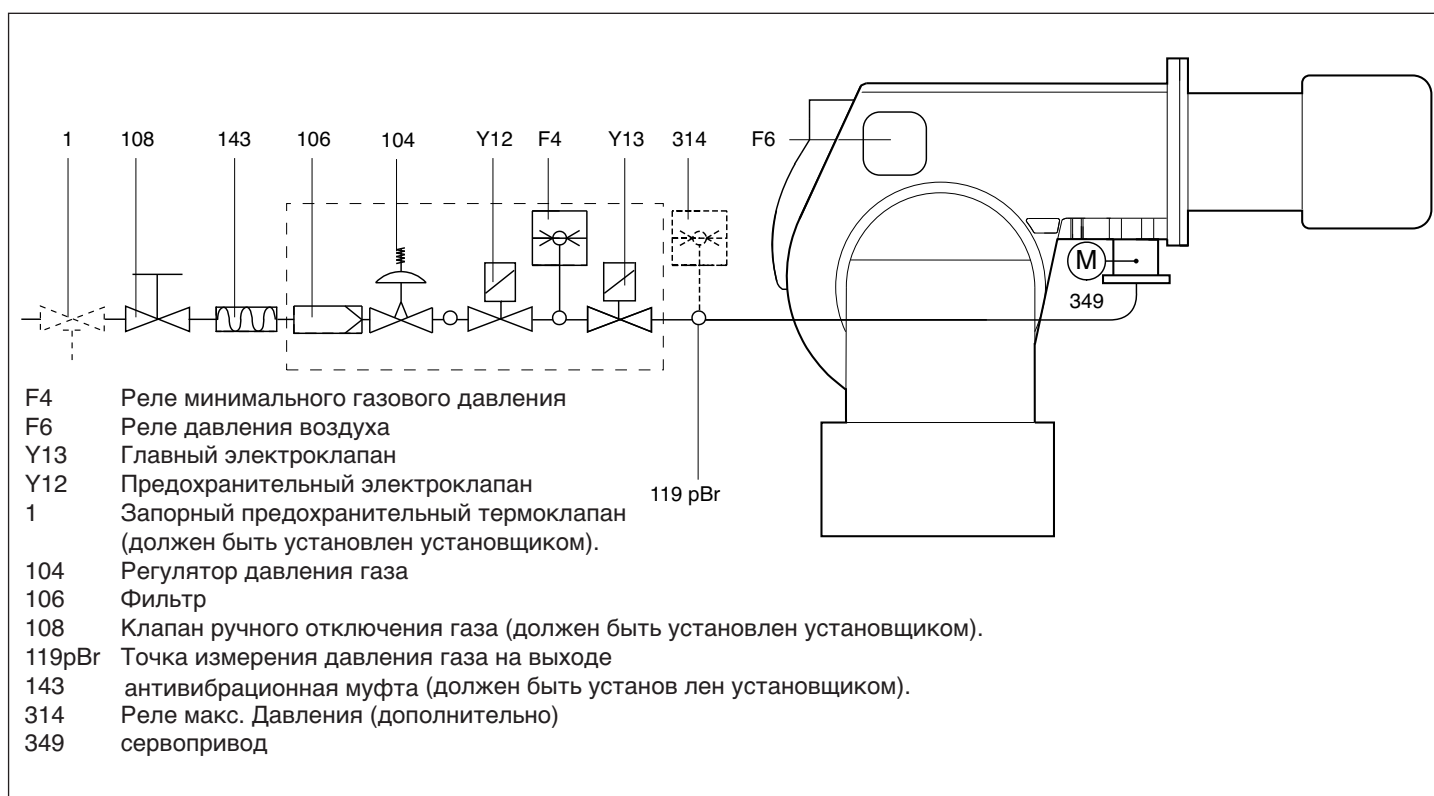
Контроль герметичности клапанов для горелок в исполнении PRE

Соответствующая функция активирована только в горелках PRE. Перед вводом горелки в эксплуатацию необходимо убедиться, что данная функция контроля находится в состоянии "АКТИВИРОВАНА" (см. меню в разделе 5 "Operating Control and Displays" страница 64, Рис.5-32"). Если контроль герметичности клапанов не является обязательным, а в меню отображается «НЕ АКТИВИРОВАНА», конструкцию газовой рампы необходимо изменить с установкой реле минимального давления газа F4 перед первым газовым клапаном, то есть перед устройством Y12 (главный

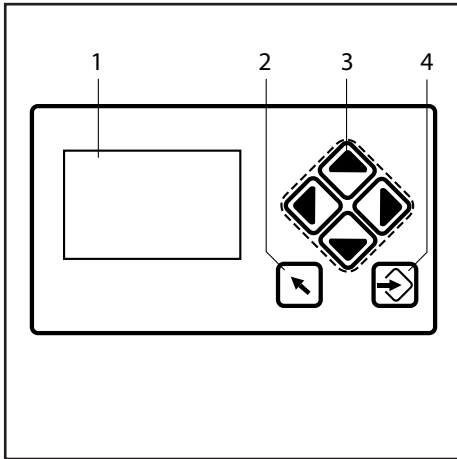
клапан 1).

Принцип работы:

В ходе контроля герметичности проверяется отсутствие утечек через главные газовые клапаны. С целью проверки используется давление подачи газа. Поскольку в случае выключения горелки участок контроля герметичности (между двумя основными клапанами) опорожняется, обычно на данном участке в процессе запуска давление будет отсутствовать (реле минимального давления газа будет находиться в положении «0»). Проверка выполняется с использованием аппаратуры ВТ. Далее на короткое время открывается главный клапан 1, и газ поступает на участок контроля (реле минимального давления газа переключается из положения «0» в положение «1»). Пока главный клапан 1 открыт, давление газа должно присутствовать. В противном случае аппаратура ВТ обнаружит отсутствие давления газа. Значение давления газа должно оставаться постоянным по крайней мере в течение всего периода контроля герметичности (2 секунды + P 311). После этого контроль герметичности считается завершенным. Если на участке, где выполняется контроль герметичности при запуске, будет присутствовать газ (например, после срабатывания защитной блокировки), сначала откроется главный клапан 2, вследствие чего с участка контроля герметичности газ будет удален. Во время выполнения контроля герметичности участок контроля остается не под давлением. После этого процесс продолжается в соответствии с приведенным выше описанием.



Функция - Display UI300



- 1 Дисплей
- 2 Кнопка возврата
- 3 Кнопки управления курсором
- 4 Кнопка ввода

Дисплей

Дисплей помогает управлять процессом с помощью меню с пиктограммами; на нем отображаются:

- Структура меню
- Рабочие состояния
- Параметры
- Сообщения об ошибках



Переход к предыдущему окну.



С помощью кнопок управления курсором можно перемещаться по меню. С помощью кнопок с правой и левой стрелкой можно последовательно перемещаться к выбранной строке. В конце выбранной строки курсор переходит на нижнюю строку, если таковая имеется. В случае меню с несколькими строками, при нажатии кнопки можно перейти на верхние или нижние строки. В экранах параметров можно переключаться с одного поля на другое.

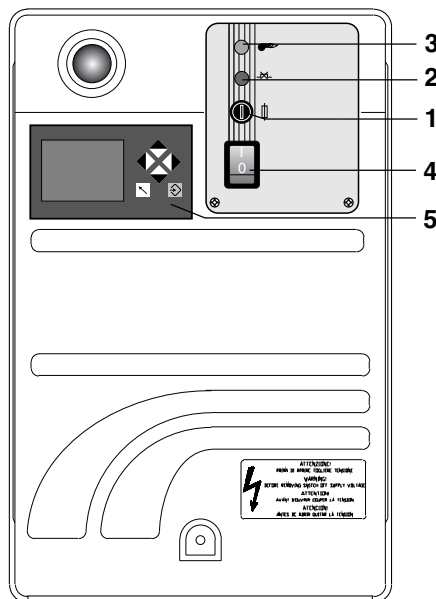


С помощью кнопки ввода можно вызвать меню в экране запуска. В одном окне меню можно открыть выбранное подменю. В окне параметров, благодаря кнопке ввода, можно передавать введенные величины. Если кнопка ВВОДА горит красным светом, можно выполнить разблокировку неполадок ВТ300. Если кнопка ввода непрерывно горит красным светом, значит имеется сбой с автоматическим перезапуском.



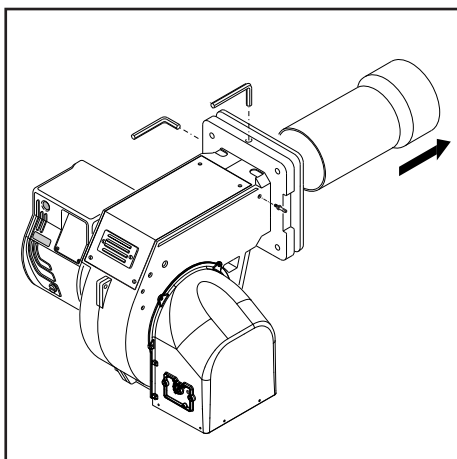
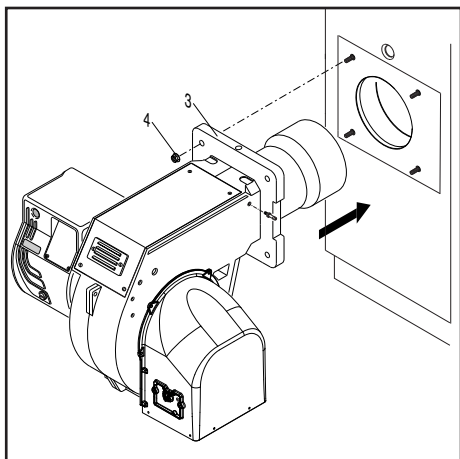
Перед тем как осуществить монтаж или демонтаж блока отключите устройство от электропитания. Открывать блок или производить ремонтные работы запрещено!

Функция - панель управления



- 1 - предохранитель
- 2 - сигнальная лампочка блокировки
- 3 - лампочка рабочего режима
- 4 - кнопка перезапуска
- 5 - display

Установка - Установка горелки



Монтаж горелки

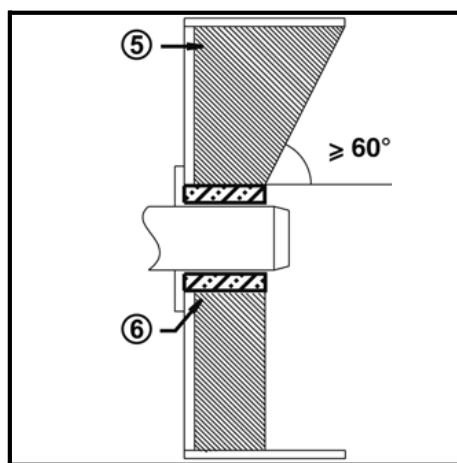
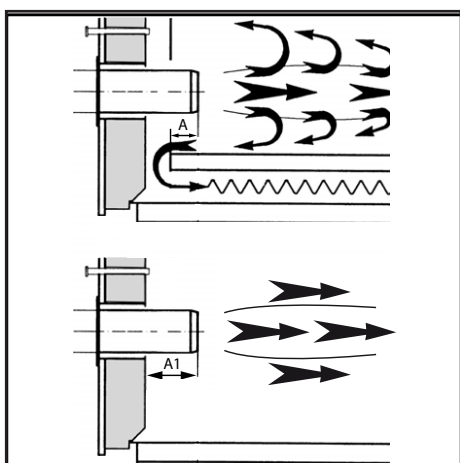
Горелка крепится к котлу.

Монтаж:

- Закрепить фланец креплением 3 к котлу винтами 4.

Демонтаж:

- Ослабьте винты и снимите горелку.



Глубина установки сопла горелки и огнеупорное уплотнение

Для котлов без охлаждения передней стенки и при отсутствии других указаний со стороны производителя котла, необходимо выполнить огнеупорную вставку или теплоизоляцию (5), как показано на рисунке слева.

Огнеупорная вставка не должна заходить за передний край сопла горелки, а угол ее конического скоса не должен превышать 60°. Воздушный промежуток (6) должен быть заполнен эластичным и невоспламеняемым теплоизоляционным материалом.

Для котлов при выборе глубины сопла горелки необходимо руководствоваться указаниями производителя котла.

Колонки с обратным пламенем :

A = 50-100 mm.

Колонки с тройной дымовой спиралью :

A1 = 50-100 mm.

Линия газоснабжения

При установке линии газоснабжения и газовой рампы необходимо соблюдать предписания нормы EN676. Дополнительные принадлежности должны быть установлены установщиком для соблюдения любых местных норм.

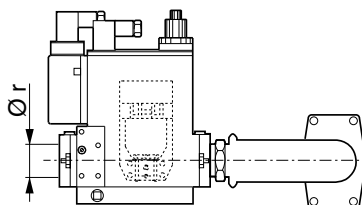
Монтажная организация несет ответственность за установку дополнительных опор для исключения избыточной нагрузки на корпус горелки от собственной массы полного газового блока, дополнительных комплектующих, трубопроводов и т. д..
Корпус горелки рассчитан только на массу газового вентиля и трубопровода между вентилем и корпусом.

УСЛОВНЫЕ ОБОЗНАЧЕНИЯ

Pf: Противодавление в топке.

Pb: Газовое давление горелки (головка сгорания + газовая рампa).

Pin: Минимальное давление питания.

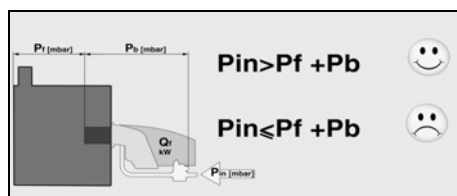


Предписания общего порядка для подключения газа

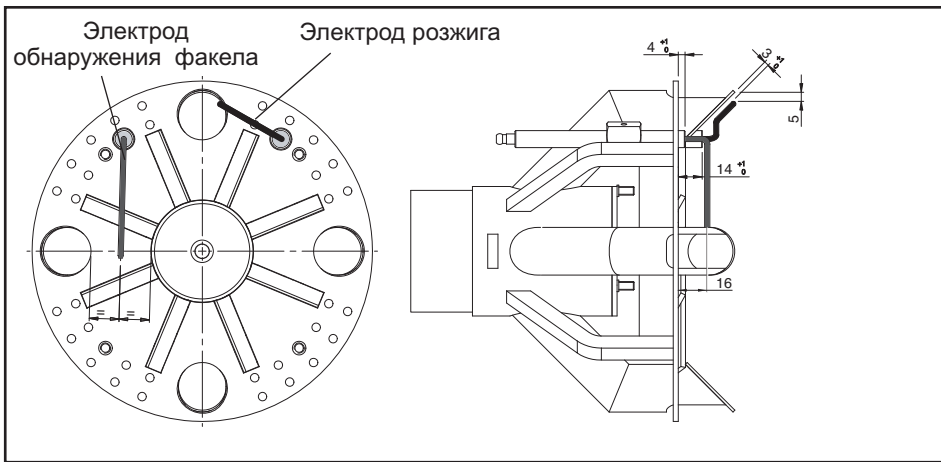
- Подключение газовой рампы к сетевому газу должно исключительно выполняться уполномоченным квалифицированным специалистом.
- Сечение газовых труб должно быть подготовлено таким образом, чтобы давление питания газа не могло опуститься ниже предписанного значения.
- Клапан ручной остановки (не поставляется) должен быть установлен в верхней части газовой рампы.

Система отвода продуктов горения

Для предотвращения неприятного шума не рекомендуется применять для соединения котла с дымоходом соединительные детали с проходным каналом, изогнутым под прямым углом.



Установка - Подключение к электросети - Необходимые проверки перед пуском в эксплуатацию



Электроподключение

Электропроводка и все работы по подключению к сети должны выполняться только квалифицированным электриком. Должны выполняться действующие предписания и директивы. Установка электропитания должна быть оснащена дифференциальным выключателем типа А.

Строго соблюдать действующие предписания и директивы, помимо электросхемы, поставляемой с горелкой!

- Проверить, чтобы прибор был подсоединен к исправной системе заземления.
- Проверить, чтобы провод заземления сетевого кабеля был на пару см длиннее других проводов.
- Убедитесь, что напряжение электропитания соответствует указанному рабочему напряжению в электросхеме и табличке с данными.
- Защита горелки : 5 А

Подключение разъемами

Горелка должна быть изолирована от сети с помощью всеполюсного размыкателя, соответствующего действующим стандартам. Горелка и теплогенератор (котел) подключены к клеммной колодке кабинета (рис.1).

Подключение газовой ramпы

Выполните подключение газовой ramпы при помощи розеток, установленных на горелке.

Горелки производятся с соединениями, предназначенными для трехфазного электропитания 380-400В.

Горелки с электродвигателями мощностью 3 кВт или менее могут быть адаптированы под 220-230В (пожалуйста, следуйте инструкции на обратной стороне); электродвигатели большей мощности могут работать только при трехфазном электропитании 380-400В. Если требуемое исполнение горелки отличается от вышеупомянутого стандарта, рекомендуется сделать отдельное примечание при заказе.

Инструкция: как адаптировать электродвигатели мощностью 3 кВт или менее под электропитание 220-230В

Напряжение горелки можно изменить путем следующих действий:
1. Изменить соединение внутри клеммной коробки двигателя со "звезды" на соединение треугольником (см. рисунок 3);
2. Изменить настройку термореле в соответствии со значениями, указанными на шильдике двигателя. Если необходимо, замените термореле другим, с подходящей шкалой. Вышеуказанные действия невозможны для электродвигателей мощностью выше 3 кВт. Для более подробной информации, пожалуйста, свяжитесь с Ecoflam.

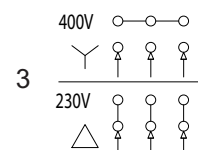
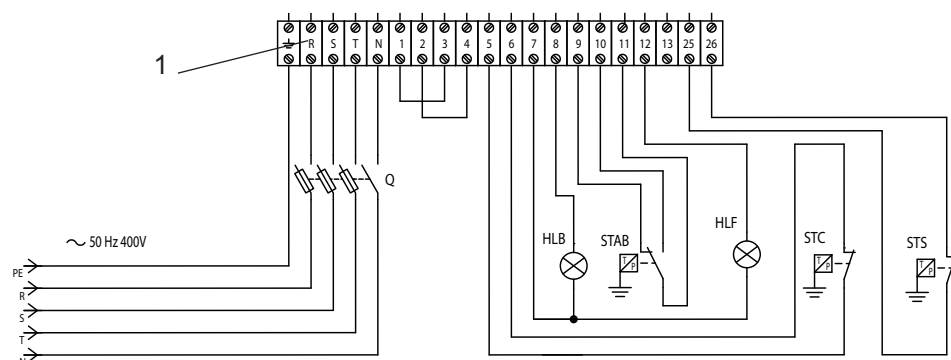
Положение электродов

Обязательно проверьте положение электродов после их замены или установки комплекта KIT GPL. Неправильное положение электродов может затруднить розжиг горелки или выявление.

Проверки перед пуском в эксплуатацию

Перед первым запуском следует проверить следующее:

- Убедитесь, что горелка установлена согласно настоящей инструкции.
- Предварительная регулировка горелки выполнена правильно, согласно указанным в таблице регулировок значениям.
- Настройка органов горения
- Теплогенератор должен быть готов к работе согласно инструкции по его использованию.
- Все электрические соединения выполнены правильно.
- Теплогенератор и система отопления заполнены достаточным количеством воды. Циркуляционные насосы действуют.
- Регуляторы температуры и давления, устройство защиты от недостатка воды, а также другие предохранительные и защитные устройства, используемые на установке, правильно подсоединены и действуют.
- Вытяжная труба должна быть прочищена. Устройство для подачи дополнительного воздуха, если оно установлено, в рабочем состоянии.
- Гарантирована подача свежего воздуха.
- Получен запрос на тепло.
- Должно быть доступным достаточное давление газа.
- Топливопроводы установлены согласно техническим нормам, прочищены и проверена их герметичность.
- Согласно существующим нормам на вытяжной трубе должна находиться точка измерения. До этого места труба должна быть герметичной для того, чтобы подсос наружного воздуха не повлиял на результаты измерений.



Ввод в эксплуатацию - Регулировка горелки

Регулировка максимальной мощности горелки

Регулировка расхода воздуха и газа достигается за счет настройки параметров блока управления VT3xx. См. руководство по использованию блока управления VT3xx.

Регулировка минимальной мощности горелки

Регулировка расхода воздуха и газа достигается за счет настройки параметров блока управления VT3xx. См. руководство по использованию блока управления VT3xx.

Регулировка горелки в среднем диапазоне мощности

Регулировка расхода воздуха и газа достигается за счет настройки

Регулировка газового клапана

Отрегулируйте газовые клапаны в соответствии с инструкциями Руководства по эксплуатации газовой рампы.

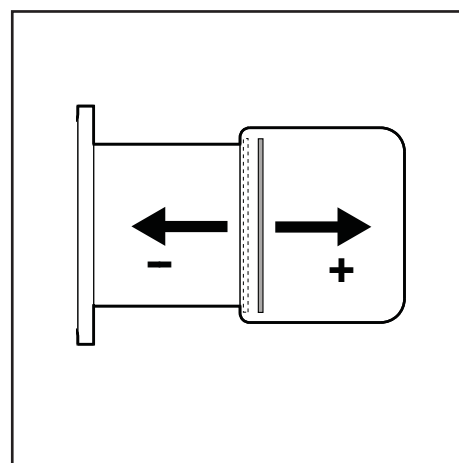
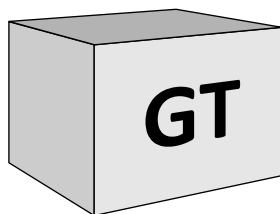
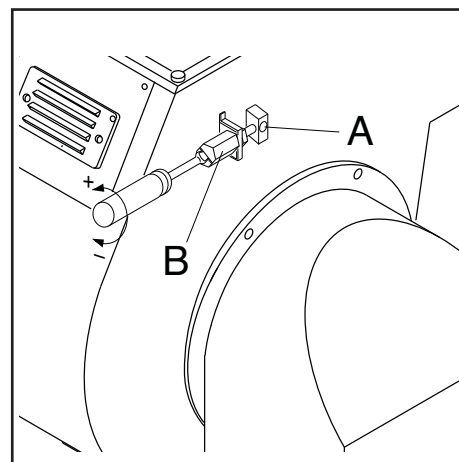
Внимание! Соблюдайте минимальную необходимую температуру дымовых газов, следуя указаниям производителя котла и принимая во внимание тип вытяжных труб, чтобы избежать эффекта конденсации.

параметров блока управления VT3xx. См. руководство по использованию блока управления VT3xx.

Регулировка огневой головки

Для оптимизации кпд сгорания может потребоваться отрегулировать положение огневой головки. При работе на малых мощностях головка задвигается назад, и, наоборот, выдвигается на больших мощностях. Положение головки регулируется следующим образом:

- с помощью шестигранного ключа соответствующего размера ослабьте винт "А".
- отверткой установите шестигранный винт "В" в требуемое положение.
- затяните винт "А".



! **Опасность вспышки!** Постоянно контролируйте содержание CO, CO2 и дымовые выбросы в процессе регулировки. В случае образования CO оптимизируйте значения горения. Содержание CO не должно превышать 50 пропромилле.

Ввод в эксплуатацию - Регулировка реле давления воздуха и газа

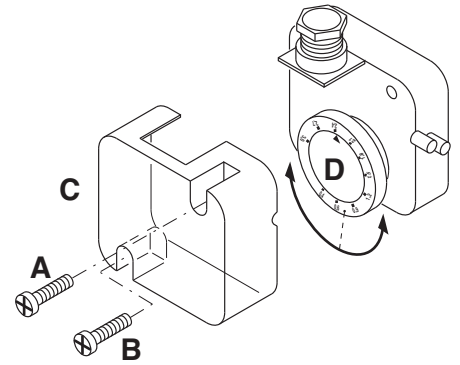
Регулировка реле давления воздуха

Реле давления воздуха контролирует давление воздуха для горения. Отвинтить винты **A** и **B** и снять крышку **C**. Отрегулируйте горение с реле давления воздуха, настроенным на минимальное значение.

- Закройте отверстие всасывания воздуха куском картона, следя за анализируемыми значениями O₂ и CO.
- Постепенно еще больше закройте проход воздуха до тех пор, пока значение CO не окажется слегка выше

1000 ppm. Оставьте картонку в этом положении.

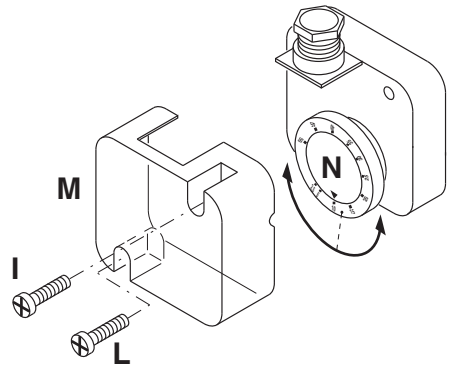
- Увеличьте настройку реле давления воздуха вплоть до блокировки горелки.
- На данном этапе реле давления настроено таким образом, чтобы избежать образования CO.
- Уберите картонку и установите на место крышку **C**.



Регулировка реле минимального давления газа

Функция реле минимального давления газа - следить за тем, чтобы давление газа перед газовым клапаном было не ниже минимального, при котором горелка работает нормально. Отвинтить винты **I** и **L** и снять крышку **M**. Установить регулятор **N** на значение равное 60% номинального давления газа (например, при номинальном давлении метана 20 мбар регулятор устанавливается на значение 12 мбар;

для сжиженного газа с номинальным давлением 30/37 мбар регулятор устанавливается на значение 18 мбар). Установить на место крышку **M** и ввернуть винты **I** и **L**.



Контроль функционирования

Контроль пламени должен быть выполнен как в случае первого запуска, так и после технического обслуживания или после длительного периода бездействия системы.

- Тест запуска с закрытым газовым краном:
блок управления должен сигнализировать сбой по причине нехватки газа или перейти в режим блокировки по окончании предохранительного времени.

Техническое - Работы по техническому обслуживанию

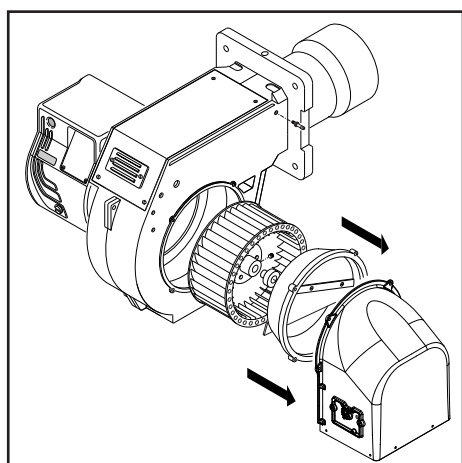
Работы по техническому обслуживанию котла и горелки должны выполняться только специалистом-теплотехником. Для обеспечения регулярного обслуживания пользователю рекомендуется заключить договор на техническое обслуживание.

Внимание

- Перед выполнением любых работ по техническому обслуживанию и очистке отключите электропитание.
- Блокирование и компоненты головки могут быть горячими.

Проверка температуры топочных газов

- Регулярно проверяйте температуру дымовых газов.
- Выполняйте очистку котла, если температура продуктов сгорания более чем на 30° С превышает значение температуры, измеренное при пуске горелки в эксплуатацию.
- С целью упрощения контроля установить дисплей для визуализации температуры выхлопных дымов.

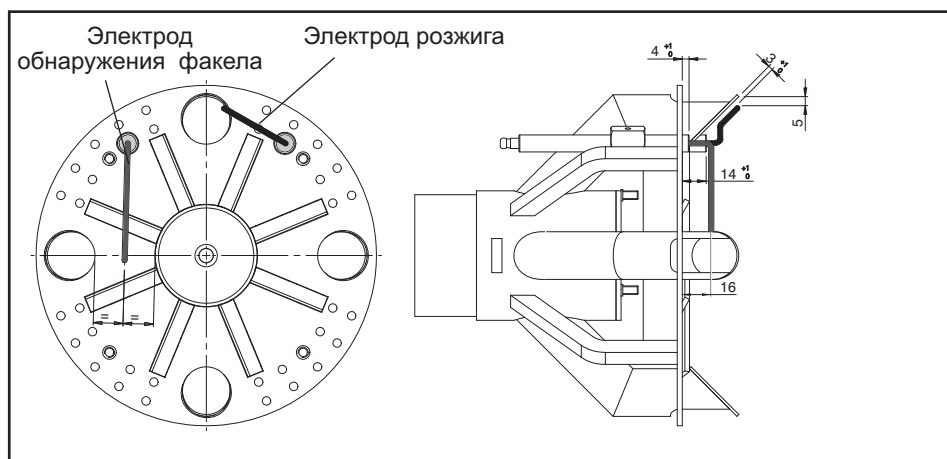


Положения для технического обслуживания

- Все компоненты системы подачи топлива (шланги, трубопроводы) и их соединения должны быть проверены (герметичность, износ) и, при необходимости, заменены.
- Проверьте все электрические подключения и кабели, при необходимости замените их.
- Проверьте состояние газового фильтра, очистите или замените его.
- Проверьте рабочее колесо вентилятора и корпус и убедитесь, что они не повреждены.
- Проверьте и очистите головку горелки.
- Проверьте электроды, при

необходимости отрегулируйте или замените их.

- Запустите горелку, проверьте процесс сгорания и, при необходимости, откорректируйте регулировки горелки.
- Проверьте реле давления воздуха и реле давления газа.
- Проверьте чувствительность газовой рампы к регулировке.
- Выполнить контроль функционирования.



Техническое - Возможные неполадки

Причины неисправностей и способы их устранения

При отклонениях от нормы, должны быть проверены нормальные условия для работы горелки:

1. Есть электрический ток?
 2. Есть давление газа?
 3. Кран остановки подачи газа открыт?
 4. Правильно ли настроены все регулирующие и предохранительные устройства, такие как термореле котла, предохранитель от недостатка воды, электрические концевые выключатели?
- В случае, если после контролей в названных точках аномалия сохранится, пользоваться следующей таблицей.

Ни один из существенных компонентов системы безопасности не должен ремонтироваться; эти компоненты должны заменяться компонентами с таким же обозначением.

Используйте только оригинальные запасные части.

NB: После проведения любых работ:

- выполните проверку параметров горения в реальных условиях эксплуатации (дверцы закрыты, крышкана месте и т. д.).
- отрегулировать параметры сгорания в технических документах станции.

Обслуживание

Периодическое обслуживание

Периодическое обслуживание горелки (головки, электродов и т.д.) должно выполняться квалифицированным персоналом. В зависимости от условий эксплуатации это делается один или два раза в год. Прежде чем приступить к проверке и последующему обслуживанию горелки рекомендуется произвести её общий осмотр.

Для этого:

- отключить энергоснабжение горелки (вытащить штекер из розетки);
- закрыть отсечной газовый кран;
- снять крышку горелки, прочистить вентилятор и всасывающий воздуховод;
- прочистить головку горелки и проверить положение электродов;
- установить обратно все детали;
- проверить герметичность газовых соединений;
- проверить дымоход;
- запустить горелку;
- измерить параметры горения

Прежде, чем выполнять дальнейшие операции, необходимо проверить, верно, что:

- напряжение подается на установку, а горелка подключена;
- в сети имеется требуемое давления газа, и отсечной газовый кран находится в открытом положении;
- предохранительные устройства и

приборы управления подключены правильно;

Если все вышеупомянутые условия соблюдены, нажатием кнопки перезапуска запустить горелку. Проверить рабочий цикл горелки.

Не происходит запуск горелки:

- Проверить выключатель, термостаты, двигатель и давление газа.

После предварительной продувки происходит блокировка горелки:

- Проверить давление газа и вентилятор.
- Проверить реле давления воздуха.

После предварительной продувки розжиг горелки не происходит:

- Проверить правильность установки электродов и их положение.
- Проверить провод розжига.
- Проверить трансформатор розжига.
- Проверить предохранительные устройства.

После розжига по истечении времени аварийной остановки происходит блокировка горелки:

- Проверить правильность подключения фазы и нуля.
- Проверить газовые электроклапаны.
- Проверить положение и правильность подключения электрода обнаружения пламени.
- Проверить состояние самого

электрода обнаружения пламени.

- Проверить предохранительные устройства.

Блокировка горелки происходит после ее непродолжительной нормальной работы:

- Проверить регулятор давления газа и газовый фильтр.
- Проверить давление газа с помощью манометра.
- Проверить параметры обнаружения пламени.

Inhalt - Inhaltsverzeichnis - Allgemeine Hinweise - Konformitätserklärung

Überblick	Technische Daten	3
	Größe	5
Inhalt	Inhaltsverzeichnis	56
	Allgemeine Hinweise - Konformitätserklärung	56
	Brennerbeschreibung	57
Funktion	Allgemeine Sicherheitsfunktionen	58
	Display- Schalttafel	59
Installation	Brennermontage	60
	Elektroanschluss	61
	Prüfungen vor der Inbetriebnahme	61
Inbetriebnahme	Regulierung des Brennerausgangs	62
	Regulierung des Luftdruckschalters	63
	Einstellung des Gasdruckwächters	63
Service	Wartung	64
	Fehlerbehebung	65
Überblick	Druckverlust-Diagramm	66-69
	Elektro Schalt- und Anschlussschemata	70-71
	Ersatzteilliste	72-74

Wichtige Hinweise

Die BLU Brenner wurden für die schadstoffarme Verbrennung von Erd- und Propangas entworfen.

Die Auslegung und Betriebsweise der Brenner entsprechen der Norm EN676.

Montage und Inbetriebnahme dürfen ausschließlich von autorisierten Fachkräften durchgeführt werden, wobei die geltenden Richtlinien und Vorschriften zu beachten sind.

Brennerbeschreibung

Die Blaubrenner BLU sind 2-stufig, voll-automatisch arbeitende Brenner in Monoblockausführung.

Die besondere Auslegung des Brennerkopfs sorgt für eine schadstoffarme Verbrennung mit hoher Brennleistung. Die Schadstoffwerte entsprechen der Klasse 3 (NOx<80mg/kWh), wie in der EN676 festgelegt ist. Je nach der Bemessung der Brennkammer, der Belastung und dem Feuerungssystem (Drehzugheizkessel, Heizkessel mit Umkehrfeuerung) können die Schadstoffwerte unterschiedlich sein. Sie eignen sich für Ausstattung aller konformen Wärmetauscher (nach EN303) und Heißluftgezeuger (nach DIN 30697 innerhalb deren Leistungsbereich.

Jede andere Verwendungsart erfordert die Genehmigung von Ecoflam.

Für einen sicheren, umweltgerechten und energiesparenden Betrieb sind folgende

Normen zu berücksichtigen:

EN 676

Automatische Brenner mit Gebläse für gasförmige Brennstoffe

EN 226

Anschluß von Ölzerstäubungs- und Gasbrennern mit Gebläse am Wärmeerzeuger.

EN 60335-1, -2-102

Sicherheit elektrischer Geräte für den Hausgebrauch und ähnliche Zwecke. Besondere Anforderungen für Gasbrennstoffgeräte.

Installationsort

Der Brenner darf nicht in Räumen mit aggressiven Dämpfen (z. B. Haarspray, Perchlorethylen, Tetrachlorkohlenstoff), starkem Staubanfall oder hoher Luftfeuchtigkeit (z. B. Waschküchen) in Betrieb genommen werden.

Am Installationsort der Heizung muss eine angemessene Lüftung vorgesehen sein, um eine ausreichende Verbrennungsluftzufuhr zu gewährleisten. Aus kommunalen Vorschriften können sich Abweichungen ergeben.

Wir lehnen jegliche Haftung für Schäden ab, die sich aus folgenden Gründen ergeben:

- unsachgemäße Benutzung

Konformitätserklärung für Gasbrenner

Wir,

Ecoflam Bruciatori S.p.A.

erklären in alleiniger Verantwortung, dass das Gasbrenner benannt

BLU

entsprechen den folgenden Normen:

EN 676	EN 50156-1
EN 55014-1	EN 55014-2
EN 60335-1	EN 60335-2-102
EN 61000-6-2	EN 61000-6-3

Diese Produkte verfügen über die CE-Kennzeichnung in Übereinstimmung mit den folgenden Richtlinien:

2014/35/UE Low Voltage Directive
2014/30/UE EMC Directive
2006/42/EC Machine directive
2011/65/EU RoHS2 directive
2009/142/CEE Gas Appliance Directive

February, 2016 / Mr. Ruben Cattaneo
 R&D manager



- fehlerhafte Montage bzw. Instandsetzung durch Käufer oder Dritte, einschließlich Einbringen von Teilen fremder Herkunft.

Übergabe und Bedienungsanweisungen

Der Installateur der Feuerungsanlage muss dem jeweiligen Betreiber spätestens bei der Übergabe der Anlage die Wartungs- und Bedienungsanweisungen übergeben. Diese sind gut sichtbar im Heizraum auszuhängen. Anschrift und Rufnummer der nächsten Kundendienststelle müssen eingetragen werden.

Wichtiger Hinweis für den Betreiber

Die Anlage sollte jährlich mindestens einmal von einer Fachkraft überprüft werden. Je nach Anlagentyp sind möglicherweise auch kürzere Wartungsintervalle erforderlich! Um eine regelmäßige Durchführung der Wartungsarbeiten zu gewährleisten, wird dem Betreiber der Anlage der Abschluss eines Wartungsvertrags empfohlen.

Ecoflam Brenner sind nach allen einschlägigen Vorschriften und Richtlinien entworfen und gebaut.

Alle Brenner entsprechen den Sicherheits- und Energiesparvorschriften im Rahmen ihrer jeweiligen Leistungsbereiche. Die Qualität wird durch das nach ISO 9001:2008 zertifizierte Qualitätsmanagementsystem garantiert

Inhalt - Brennerbeschreibung

BLU 2000 PRE TC

BEREICHSNAME
NACH BRENNSTOFFTYP

BLU

MODELLGRÖSSE

BLU 2000 2000 kW

EMISSIONEN VERBRENNUNGSTYP

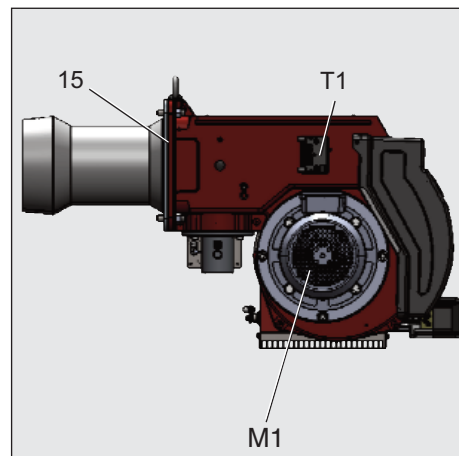
- Standard Klasse 2 GAS EN676 (≤ 120 mg/kWh)
LN Low NOx Klasse 3 GAS EN676 (≤ 80 mg/kWh)

BETRIEBSART

PAB 2-stufig
PR Zweistufig-gleitend, mechanischer Verbund
E Modulierend, elektronischer Verbund

KOPFTYP

TC kurzer Brennerkopf
TL langer Brennerkopf



- A1 Gas-Steuergerät
- F6 Luftdruckschalter
- M1 Elektromotor
- T1 Zündtransformator
- 5 Gehäuse
- 8 Brennerrohr
- 15 Brennerflansch
- 103B Luftmengeneinstellung
- 113 Lufteinlass

Lieferung

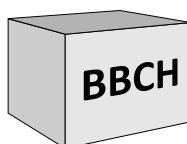
Der Brenner wird in einem modularen Verpackungssystem (Baugruppen separat verpackt) geliefert:

BBCH: Brennerkorpus mit Brennerkopf und Flansch.

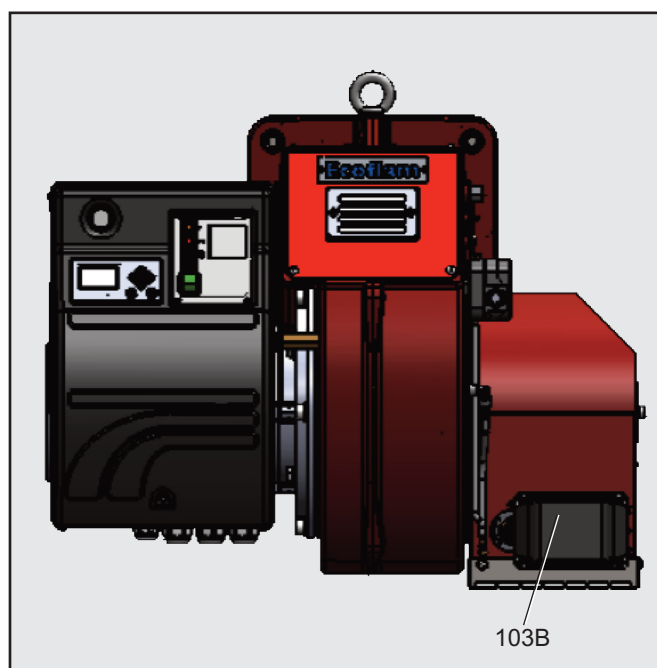
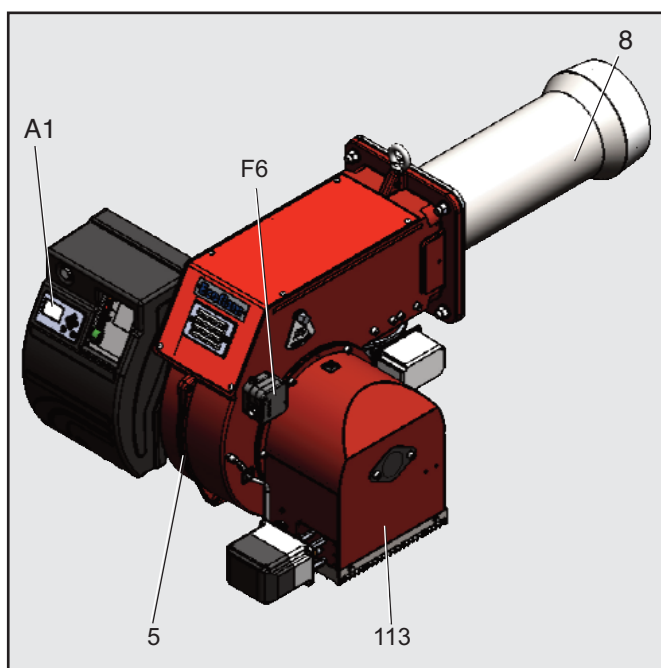
- 1 Tasche mit :- Mehrsprachigem technischen Handbuch.
- Schrauben, Muttern und Unterlegscheiben.

GT: Separate Gasrampe

KIT & ACS sind separat bestellbar und werden getrennt geliefert



BAUSATZ UND ZUBEHÖR
werden separat geliefert



Funktion - Allgemeine Sicherheits-Funktionen

Beschreibung der Betriebsweise

Beim ersten Einschalten wird- nach einer Spannungsunterbrechung, einer Sicherheitsabschaltung, einer Gasleckage oder einer 24stündigen Stillstandszeit eine Vorbelüftung gestartet.

Während der Vorbelüftungsphase wird:

- der Gebläsedruck überwacht,
- der Feuerraum auf Fremdlicht überwacht
- Flammenanzeichen kontrolliert.

Nach der Vorbelüftung wird:

- die Zündung eingeschaltet,
- die Gasventile geöffnet,
- die Flamme bildet sich.

Überwachung

- Die Flamme wird durch eine Ionisationssonde überwacht.
- Die Sonde verfügt über einen Isolationskörper und ist im Mischkopf befestigt. und wird durch die Stauscheibe in die Flammenwurzel geführt. Die Sonde darf keine Berührung zur zum Brennermischkopf oder dem also der Masse haben. Wenn eine Verbindung zur Masse entsteht schaltet der Brenner auf Störung und der Betrieb wird unterbrochen. Während des Betriebs bildet sich in der Flamme bei korrekter Funktion ein ionisierter Bereich durch den ein Gleichstrom von der Sonde zum Mischkopf fließt.

Sicherheitsfunktion

- Wenn beim Brennerstart (Brennstofffreigabe) keine Flamme entsteht schaltet der Brenner nach einer Sicherheitszeit von 3sek. auf Störung. Die

Gasventile werden geschlossen.

- Wenn die Flamme während des Betriebs erlischt, wird die Gaszufuhr innerhalb einer Sekunde unterbrochen. Darauf erfolgt ein neuer Startvorgang. Wenn der Brenner startet, wird der Vorgang fortgesetzt. Anderfalls tritt eine Sicherheitsabschaltung ein.
- Fällt während der Vorbelüftung oder des Startvorgangs der Gebläsedruck ab, wird der Brenner abgeschaltet. Fällt der Gasdruck ab startet der Brenner nicht, im Betrieb wird der Brenner abgeschaltet.
- Bei einem Gasmangel startet der Brenner nicht oder schaltet sich ab.

Regelabschaltung

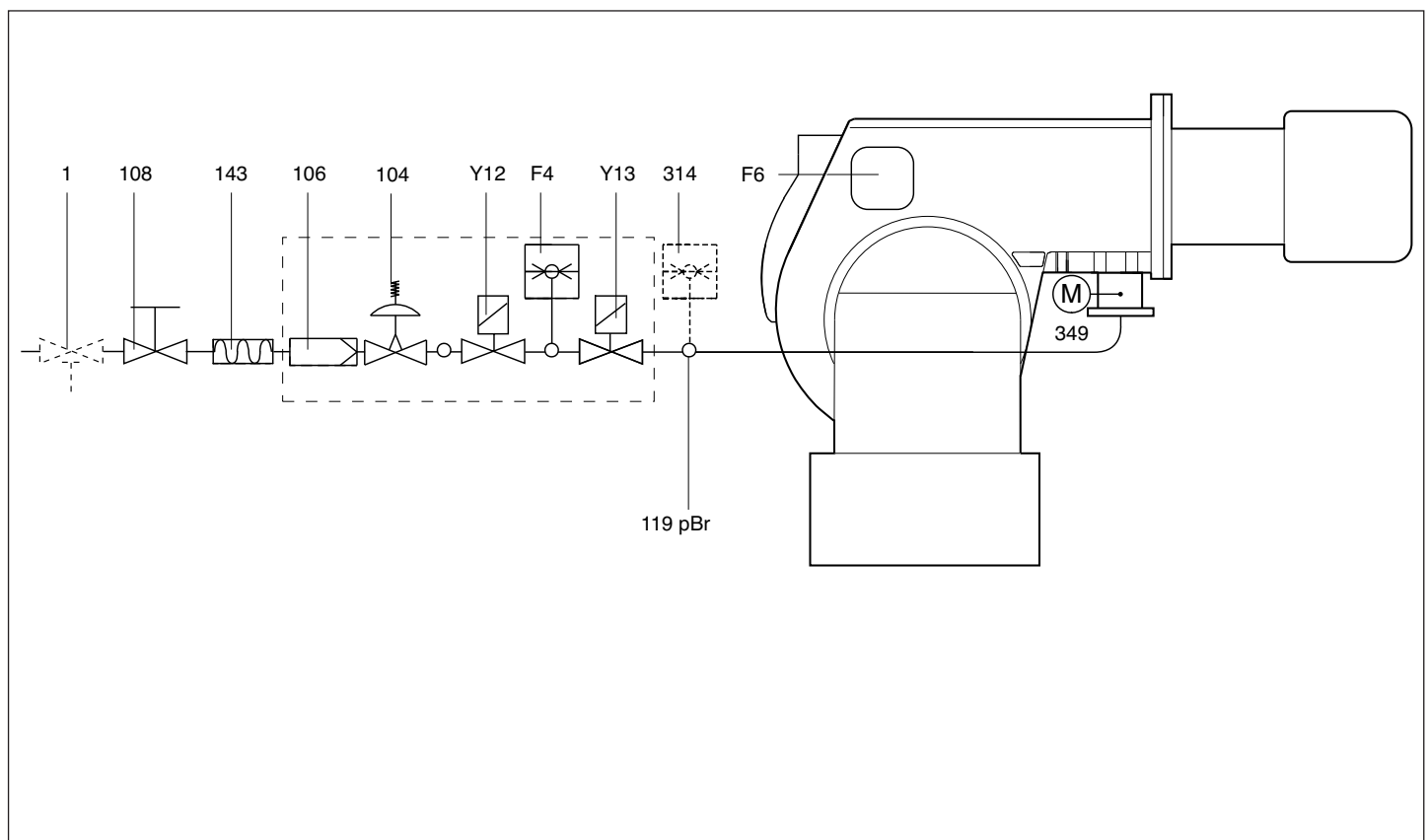
- Der Regelthermostat öffnet und unterbricht die Leistungsanforderung,
- Die Gas-Magnetventile schließen sich.
- Die Flamme erlischt.
- Der Brennermotor schaltet sich ab.
- Der Brenner ist betriebsbereit.

Gas Leakage control for burners in PRE version

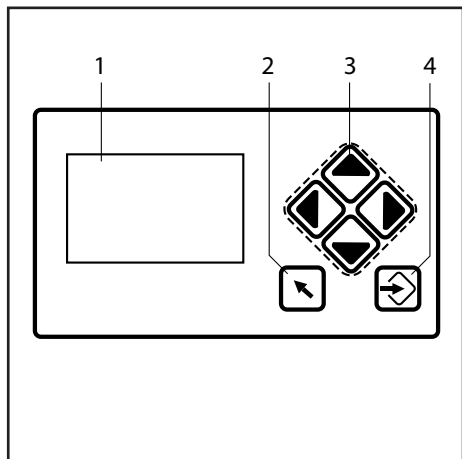
The relevant function is ACTIVE as a standard. Before commissioning the burner, please check if this feature is "ACTIVATED" (look inside menu on section 5 "Operating Control and Displays" page 64, fig.5-32"). If it is "NOT ACTIVATED" and it is not mandatory to fit the valve proving, a suitable gas train must be fit. Such a gas train must be equipped with a pressure switch upstream of the first gas valve (referring to the picture on page 8, the F4 min. gas pressure switch must be fit before the device Y12).

Ablauf Dichtheitskontrolle

Die Dichtheitskontrolle überprüft, ob die Hauptgasventile dicht sind. Dazu wird der Gasdruck der Versorgung verwendet. Da bei einer Brennerabschaltung die Dichtheitskontrollstrecke (Raum zwischen den beiden Hauptventilen) leer brennt, ist im Normalfall dieser Teil bei einem Start drucklos (Gasdruck > min. = 0). Dies prüft die BurnerTronic. Anschließend wird Hauptgas 1 kurz geöffnet und Gas strömt in die Kontrollstrecke (Gasdruck > min. wechselt von 0 auf 1). Dieser Druck muss nun mindestens die Dichtheitskontrollzeit (P 311) bestehen bleiben. Dann gilt die Dichtheitskontrolle als abgeschlossen. Ist die Dichtheitskontrollstrecke beim Start nicht leer (z.B. infolge einer Störabschaltung zu-vor), so wird zuerst Hauptgasventil 2 geöffnet. Die Dichtheitskontrollstrecke wird entlüftet (je nach Anlage in den Feuerraum oder über Dach, Schaltungsvorschlag siehe Kapitel 8.3 Ent-lüftung Dichtekontrolle über Dach). Anschließend wird während der Dichtheitskontrollzeit ge-prüft, ob die Strecke drucklos bleibt. Sonst Ablauf wie zuvor beschrieben.



Funktion - Display UI300



- 1 Display
- 2 Zurück-Taste
- 3 Cursor-Tasten
- 4 Enter-Taste

Display

Das Display zeigt durch Piktogramme :

- die Menüstruktur
- Betriebszustände
- Parameter
- Fehlermeldungen



Springt zum vorherigen Fenster.



Mit den Cursor-Tasten navigieren Sie im Menü. Mit den Tasten "nach links" und "nach rechts" bewegen Sie sich schrittweise in der selektierten Zeile. Am Ende der selektierten Zeile springt der Cursor zur Zeile nach unten, falls vorhanden. Bei mehrzeiligen Menüs wechseln Sie mit den Tasten in den Zeilen "nach oben" bzw. "nach unten". Bei Parameteranzeigen wechseln Sie zwischen den einzelnen Feldern.

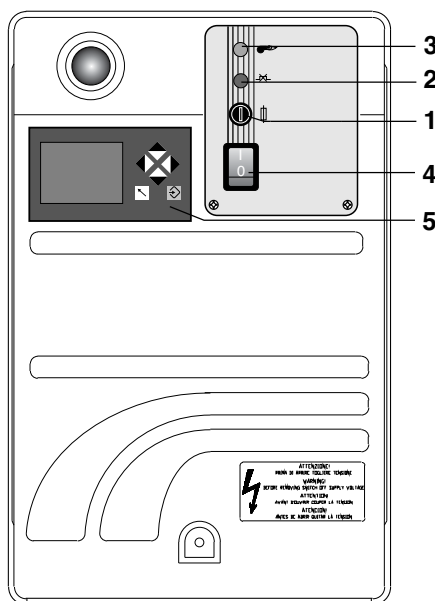


Mit der Enter-Taste rufen Sie im Startbild das Menü auf. In einem Menüfenster öffnen Sie das selektierte Untermenü. In einem Parameterfenster übertragen Sie mit der Enter-Taste die eingestellten Werte.



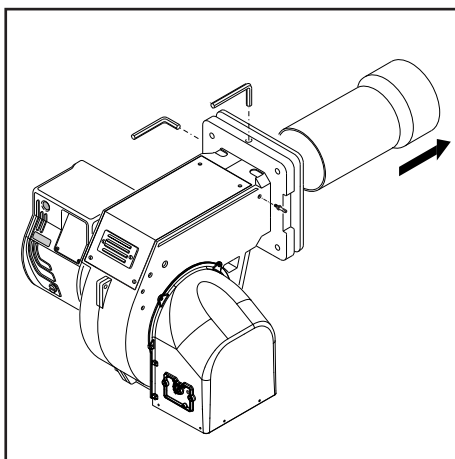
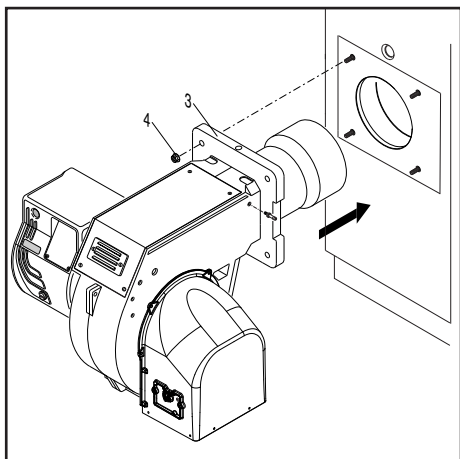
Vor Ein- oder Ausbau des Automaten, Gerät spannungslos machen. Der Automat darf nicht geöffnet oder repariert werden.

Funktion - Schalttafel



- 1 - Sicherung
- 2 - Signallampe thermischer Block
- 3 - Betriebslampe
- 4 - Schalter I / O
- 5 - Display

Installation - Brennermontage



Brennermontage

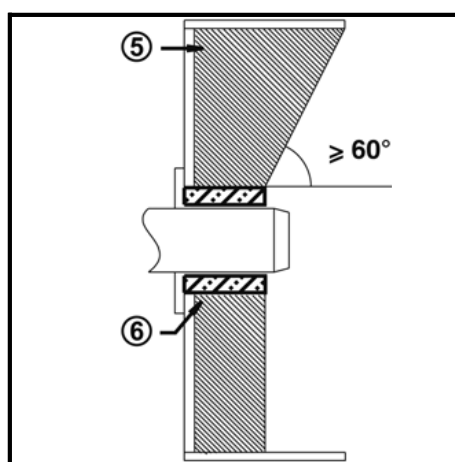
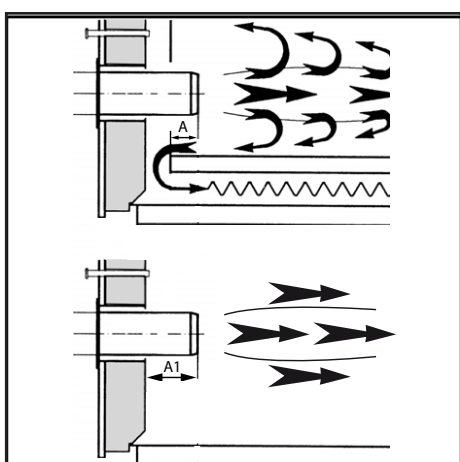
Der Brenner wird mit dem Anschlussflansch am Heizkessel befestigt.

Einbau:

- Anschlußflansch 3 mit Schrauben 4 am Kessel befestigen.

Ausbau :

- Die Schrauben lösen und den Brenner entfernen.



Brennerrohr-Einbautiefe und Ausmauerung

Bei Wärmeerzeugern ohne gekühlte Vorderwand ist, sofern der Kesselhersteller keine anderen Angaben macht, eine Ausmauerung oder eine Isolierung 5 wie in der nebenstehenden Abbildung erforderlich. Die Ausmauerung darf die Vorderkante des Flammrohrs nicht überragen und mit höchstens 60° konisch zulaufen. Der Luftspalt 6 ist mit einem elastischen, nicht brennbaren Isolationsmaterial auszufüllen. Bei Heizkesseln mit Umkehrfeuerung muss die Mindertiefe beim Einsetzen des Schlauchs A laut Anweisungen des Kesselherstellers eingehalten werden.

Bei Kesseln mit ist die Eintauchtiefe des Flammrohrs nach den Angaben des Kesselherstellers zu beachten.

Heizkessel mit Flammenumkehr :

A = 50-100 mm.

Dreizugkessel :

A1 = 50-100 mm.

Gasleitungen

Bei der Installation der Gasleitungen und des Gas-Zugs müssen die Bestimmungen und Richtlinien in der EN676 befolgt werden. Gemäß den Der Installateur muss auch zusätzliches Zubehör installieren, das von den örtlichen Bestimmungen vorgeschrieben wird.

Es obliegt der Verantwortung des Installateurs und ist obligatorisch, zusätzliche Stützen zu installieren, um den Brennerkörper nicht mit dem Eigengewicht der vollen Regelstrecke, des Zubehörs, der Rohrleitungen und so weiter zu überlasten.

Der Brennerkörper hält nur dem Gasventil und den Rohrleitungen zwischen dem Gasventil und dem Körper stand.

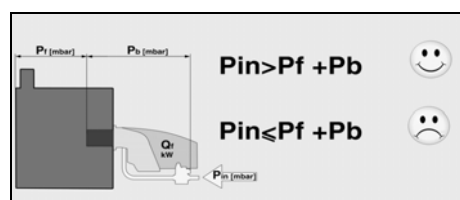
LEGENDE

Pf: Feuerraumwiderstand

Pb: Brennergasamtdruckverlust

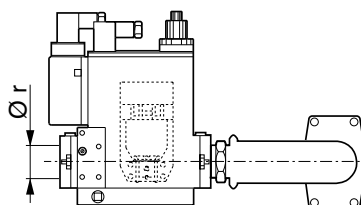
(Druckverlust des Mischkopfs und der gesamten Gasrampe),

Pin: minimaler Gasanschlussdruck



Allgemeine Bestimmungen für den Gasanschluss

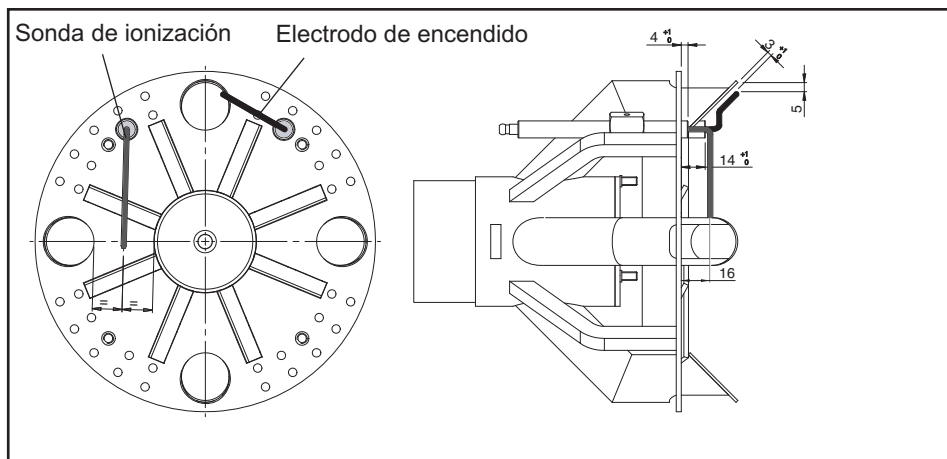
- Die Gasrampe darf nur von einem autorisierten Fachmann an das Gasnetz angeschlossen werden.
- Der Querschnitt des Gasrohrs sollte so bemessen sein, dass der Gaszufuhrdruck nicht unter den vorgeschriebenen Wert abfällt.
- ein Gaskugelhahn (nicht im Lieferumfang enthalten) muss vor der Gasrampe montiert werden.



Abgasanlage

Um eine eventuelle ungünstige Schallemissionen zu vermeiden, sollten nach Möglichkeit keine rechtwinkligen Anschlussstücke bei der rauchgasseitigen Anbindung des Kessels verwendet werden.

Installation - Elektroanschluss - Kontrollen für der Inbetriebnahme



Elektroanschluss

Die Elektroinstallation und Anschlussarbeiten dürfen ausschließlich vom Elektrofachmann ausgeführt werden. Dabei sind die geltenden Vorschriften und Richtlinien zu beachten. Bei der Elektroinstallation ist ein Trennschalter vom Typ A einzusetzen.

Es sind alle anwendbaren Richtlinien und Vorschriften sowie der mit dem Brenner gelieferte Stromlaufplan zu beachten!

- Sicherstellen, dass das Gerät wirksam geerdet ist.
- Sicherstellen, dass der Erdleiter des Versorgungskabels ein paar cm länger als die anderen ist.
- Sicherstellen, dass die Spannungsversorgung den Angaben auf dem Stromlaufplan und dem Kennschild entspricht.
- Brennerabsicherung: 5 A.

Elektroanschluss über Steckverbindungen

Der Brenner muss mit einer den geltenden Normen entsprechenden allpoligen Abschaltvorrichtung vom Netz getrennt werden können. Die Brenner und die Thermogeneratoren (Kessel) werden durch Anschluss an das Klemmbrett der Tafel miteinander verbunden (Abb.1).

Anschluss der Gasrampe

Die Gasrampe an die Stecker am Brenner anschliessen.

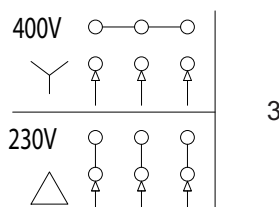
Die Brenner sind für den Anschluss an eine Dreiphasen-Versorgung von 380-400 V geeignet.

Die Brenner mit Elektromotoren von einer Leistung unter oder gleich 3 kW können für eine Versorgung von 220-230 V angepasst werden (siehe Anweisungen auf der Rückseite); Für Motoren mit höheren Leistungen ist nur eine Dreiphasen-Versorgung von 380-400 V möglich. Sind Brenner, die nicht den oben angegebenen Standardausführungen entsprechen, muss dieses in der Bestellung ausdrücklich angegeben werden.

Anweisungen: Wie werden Elektromotoren unter oder gleich 3 kW für Versorgung von 220-230 V angepasst

Die Spannung des Brenners kann folgendermaßen geändert werden:

1. Die Verbindung innerhalb der Versorgungsdose des Elektromotors umändern: Von Stern auf Dreieck (siehe Abbildung 3);
 2. Die Eichung des Thermo-Relais, in Bezug auf die auf dem Schild des Elektromotors angegebenen Aufnahmewerte, ändern. Sofern erforderlich, das Thermorelais gegen ein anderes mit geeigneter Skala auswechseln. Dieser Vorgang ist für Motore über 3 kW nicht möglich.
- Für ausführlichere Informationen wenden Sie sich bitte an das Personal von Ecoflam



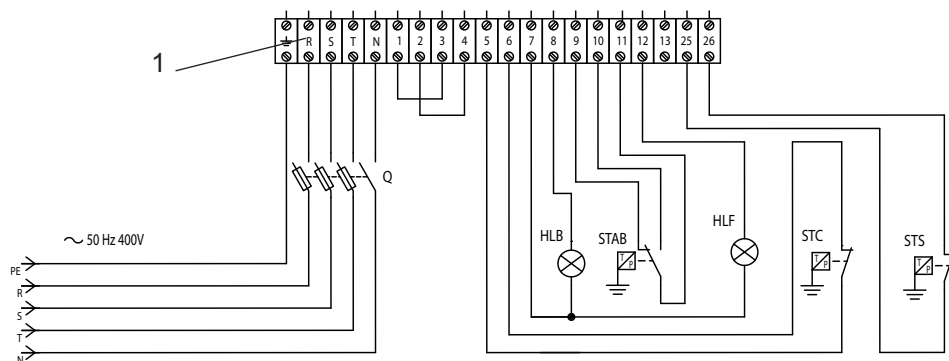
Düsen austausch

Zur Einstellung der Ionisationssonde und der Zündelectrode siehe nebenstehendes Diagramm. Nach Tausch und bei Umbau auf Flüssiggasbetrieb sind die Elektroden-einstellungen grundsätzlich zu überprüfen. Eine falsche Einstellung kann zu Startproblemen führen.

Kontrollen vor Inbetriebnahme

Vor der Erstinbetriebnahme sollten die folgenden Punkte geprüft werden.

- Der Brenner wurde gemäß vorliegender Anleitung montiert.
- Der Brenner wurde gemäß den Angaben in der Einstelltabelle voreingestellt.
- Die Mischeinrichtung wurde eingestellt.
- Der Wärmeerzeuger muss betriebsbereit sein, die Betriebsvorschriften für den Wärmeerzeuger müssen eingehalten werden.
- Alle Elektroanschlüsse müssen vorschriftsmäßig ausgeführt sein.
- Wärmeerzeuger und Heizanlage sind mit Wasser gefüllt, die Umwälzpumpen sind in Betrieb.
- Temperaturregler, Druckregler, Wassermangelsicherung und andere eventuell vorhandene Begrenzungs- und Sicherheitsvorrichtungen sind angeschlossen und funktionsfähig.
- Der Schornstein muss frei und die Nebenluftvorrichtung, falls vorhanden, in Betrieb sein.
- Es muss eine ausreichende Frischluftzufuhr gewährleistet sein.
- Es muss eine Wärmeabnahme vorhanden sein.
- Es muss genügend Gasdruck vorhanden sein.
- Die Brennstoffleitungen müssen fachgerecht montiert, auf Dichtheit geprüft und entlüftet sein.
- Ein normgerechter Messpunkt muss vorhanden sein und das Abzugsrohr bis zum Messpunkt muss dicht sein, damit die Messergebnisse nicht verfälscht werden.



Inbetriebnahme - Regelung des Brenners

Einstellung der Maximalleistung des Brenners

Die Einstellungen von Luft und Gas erfolgen durch die Regelung der Parameter von BT3xx. Siehe die Bedienungsanleitung BT3xx.

Einstellung der Mindestleistung des Brenners

Die Einstellungen von Luft und Gas erfolgen durch die Regelung der Parameter von BT3xx. Siehe die Bedienungsanleitung BT3xx.

Einstellung der Zwischenleistungen des Brenners

Die Einstellungen von Luft und Gas erfolgen durch die Regelung der Parameter von BT3xx. Siehe die Bedienungsanleitung BT3xx.

Einstellung des Gasventils

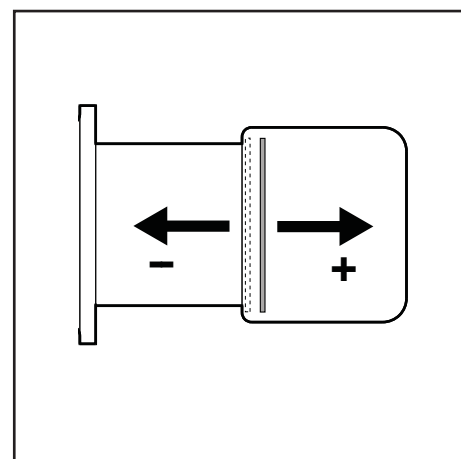
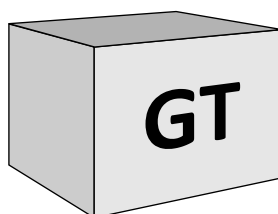
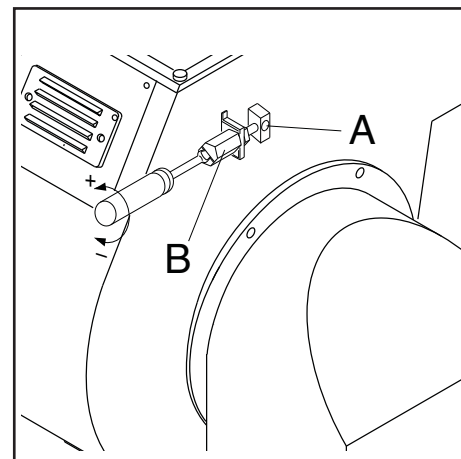
Für die Gaseinstellung des gewünschten Gas-Zugs wird auf das betreffende Handbuch verwiesen

Achtung : Minimal erforderliche Abgastemperatur nach Angaben des Kesselherstellers und nach Anforderungen Abgaswege zur Vermeidung von Kondensation beachten.

Brennerkopfeinstellung

Die Einstellung der Brennerkopffposition dient zur Verbesserung der Verbrennungsleistung. Bei Anwendungen mit Minstdurchsatz des Brenners wird der Kopf nach hinten verschoben, bei maximaler Leistung nach vorne bewegt. Ausführung:

- Schraube A mit dem passenden Inbusschlüssel lockern.
- Mit einem Schraubenzieher die Sechskantschraube B betätigen, bis die gewünschte Position erreicht wird.
- Schraube A wieder anziehen.



Verpuffungsgefahr!

Während der Einstellarbeiten permanent CO- und CO₂-Gehalt sowie Abgase kontrollieren. Bei CO- Bildung Verbrennungswerte optimieren. Der CO-Gehalt darf 50 ppm nicht überschreiten.

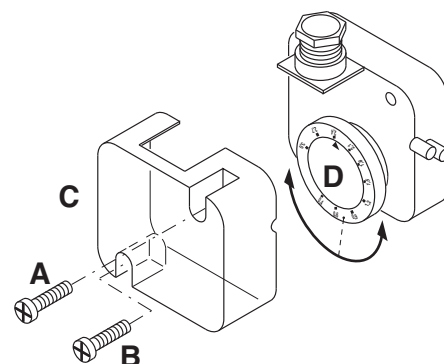
Inbetriebnahme- Einstellung des Luftdruckwächters- Einstellung des Gasdruckwächters

Einstellung des Luftdruckschalters

Der Luftdruckschalter kontrolliert den Lüfterluftdruck.

Die Schrauben A und B abschrauben und den Deckel C abnehmen.

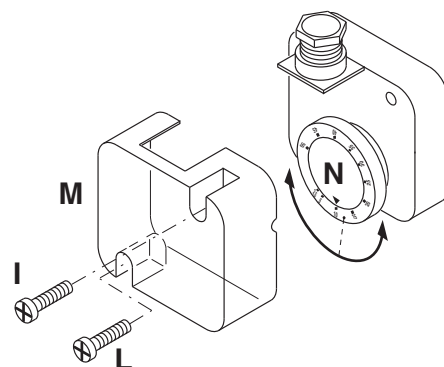
- Verbrennungswerte mit dem am Minimalwert eingestellten Druckwächter ueberpruefen.
- Lufteringang am Brenner mittels einem Kartonblatt verstopfen, während dessen die O₂ und CO-Werte am Analyser aufepasst werden müssen.
- Nach und nach den Verschluß des Luftergangs verstopfen, bis der CO-Wert 1000 ppm leicht überschritten. Den Karton in dieser Position stoppen.
- Skalenwert solange erhöhen bis Luftdruckwächter Brenner abschaltet.
- So ist der Druckwaechter zur Vermeidung von CO-Emissionen eingestellt.
- Karton wegnehmen und Deckel C wieder montieren.



Mindestgasdruckschalter

Der Gasdruckschalter hat die Aufgabe, den Mindestdruck des Gases zu prüfen, bevor das Gasventil den Mindestdruck für den korrekten Brennerbetrieb erreicht.

Den Deckel M abschrauben und abnehmen. Den Regler N auf einen Wert einstellen, der 60 % des nominalen Gaszufuhrdrucks entspricht (z.B. Nenndruck für Erdgas = 20 mbar; den Regler auf einen Wert von 12 mbar einstellen; Nenndruck für LPG G30/G31 = 30/37 mbar; den Regler auf einen Wert von 18 mbar einstellen). Den Deckel M wieder anschrauben.



Betriebskontrolle

Eine Sicherheitskontrolle des Flammenwächters muss sowohl bei der Inbetriebnahme als auch nach Überholungen oder nach einer langen Stillstandszeit der Anlage durchgeführt werden.

- Beim Teststart wird der Gasgerätehahn geschlossen. Der Feuerungsautomat muss eine Betriebsunterbrechung durch Gasmangel anzeigen oder nach Ablauf der Sicherheitszeit eine Brennerstörung auslösen.

Service - Wartung

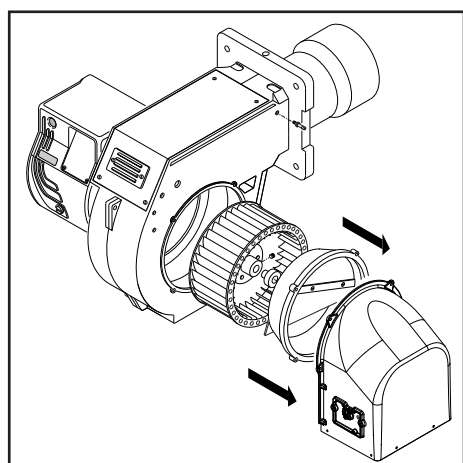
Servicearbeiten an Kessel und Brenner führt ausschließlich der geschulte Heizungsfachmann durch. Um eine regelmäßige Durchführung der Servicearbeiten zu gewährleisten sollte dem Betreiber der Anlage der Abschluß eines Wartungsvertrages empfohlen werden.

Achtung

- Das Flammrohr und der Mischkopf können sehr heiss sein.
- Das Blasrohr und der Zündkopf können sehr heiß sein.

Kontrolle der Abgastemperatur

- regelmäßig die Abgastemperatur überprüfen.
- Kessel reinigen, wenn die Abgastemperatur den Wert der Inbetriebnahme um mehr als 30°C überschreitet.
- setzen Sie zur Vereinfachung der Kontrolle eine Abgastemperaturanzeige ein.

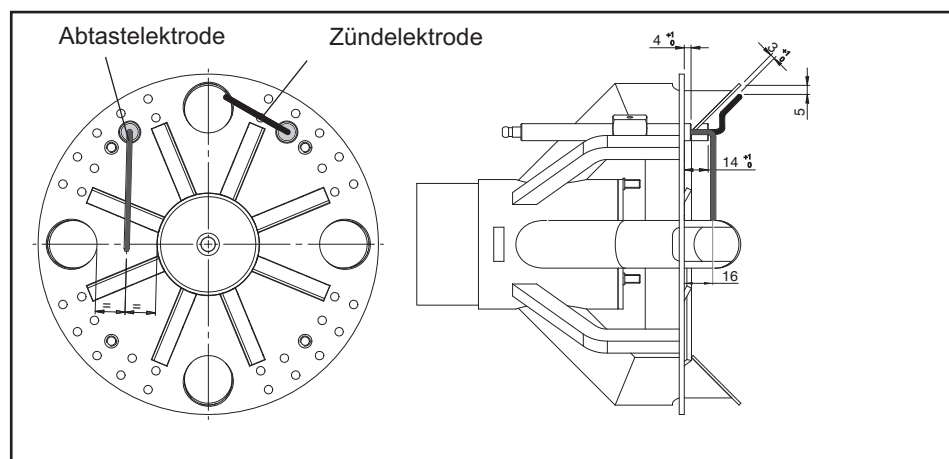


Wartungsarbeiten am Brenner

- Die Gaszufuhrkomponenten (Rohre, Leitungen) sowie deren Verbindungen auf Undichtigkeiten oder Verschleißerscheinungen prüfen, ggf. austauschen.
- Elektrische Anschlüsse und Verbindungskabel auf Beschädigungen überprüfen, ggf. auswechseln.
- Den Gasfilter überprüfen, reinigen oder ggf. austauschen.
- Das Lüfterrad und das Gehäuse reinigen und auf Beschädigungen prüfen.
- Die Mischeinheit kontrollieren und reinigen.
- Zündelectroden prüfen, ggf. nachju-

stieren oder austauschen.

- Brenner starten, Abgasdaten kontrollieren, Brennereinstellungen ggf. korrigieren.
- Die Einstellung des Luftdruckwächters und des Gasdruckwächters überprüfen.
- Die Einstellung der Gasrampe überprüfen.
- Eine Funktionskontrolle durchführen.



Service - Fehlerbehebung

Ursachen und Beseitigung von Störungen

Bei Störungen müssen die grundsätzlichen Voraussetzungen zum ordnungsgemäßen Betrieb kontrolliert werden:

1. Ist Strom vorhanden?
2. Ist genügend Gasdruck vorhanden?
3. Ist das Gas-Absperrventil offen?
4. Sind alle Regel- und Sicherheitsgeräte wie Kesselthermostat,

Wassermangelsicherung, Endschalter etc. eingestellt?

Falls die Betriebsstörung anhält, verwenden Sie die folgende Tabelle. Sicherheitskomponenten dürfen nicht repariert, sondern müssen durch Teile mit derselben Bestellnummer ersetzt werden

Nur Originalersatzteile verwenden.

NB: Nach jedem Eingriff Verbrennungs

- Werte bei Betriebsbedingungen kontrollieren (geschlossene Heizraumtür, montierte Haube, usw.).
- Die Ergebnisse in den entsprechenden Dokumenten eintragen.

Wartung

Jährliche Kontrolle

Die Kontrolle des Brenners (Brennkopf, Elektroden usw.) muß je nach Benutzung ein- oder zweimal jährlich von qualifiziertem Fachpersonal durchgeführt werden.

Vor der Kontrolle für die Wartung des Brenners ist es ratsam, den allgemeinen Zustand des Brenners zu überprüfen und die folgenden Operationen durchzuführen:

- Spannung vom Brenner abklemmen (Stecker ziehen).
- Gashahn schließen.
- Deckel vom Brenner abnehmen, Gebläse und Luftansaugung reinigen.
- Brennkopf reinigen und Position der Elektroden kontrollieren.
- Teile wieder montieren.
- Dichtigkeit der Anschlüsse kontrollieren.
- Kamin kontrollieren.
- Brenner zünden.
- Die Verbrennungswerte kontrollieren

Vor jedem eingriff kontrollieren :

- daß Strom an Anlage und Brenner angeschlossen ist.
- daß der Gasdruck korrekt und der Gashahn offen ist.
- daß die Kontrollsysteme richtig angeschlossen sind. Wenn dies der Fall ist, den Brenner durch Drücken der Taste zünden. Die Zyklen des Brenners kontrollieren.

Wenn der brenner nicht zündet :

Schalter, Thermostate, Motor und Gasdruck kontrollieren.

- Der Brenner führt eine Vorventilation durch und bleibt am Ende des Zyklusses stehen:
- Luftdruck und Gebläse kontrollieren.
- Luftdruckwächter kontrollieren.

Der brenner führt die vorventilation durch und zündet nicht:

- Montage und Position der Elektroden kontrollieren.
- Zündkabel kontrollieren.
- Zündtransformator kontrollieren.
- Sicherheitsvorrichtung kontrollieren.

Der Brenner zündet geht aber nach kurzer Zeit auf Störung :

- Kontrollieren, das Nullleiter und Phase korrekt angeschlossen sind.
- Gas-Magnetventil kontrollieren.
- Position und Anschluß der Meßsonde kontrollieren.
- Meßsonde kontrollieren.
- Sicherheitsvorrichtung kontrollieren.

Der brenner zündet und geht nach einigen minuten aus :

- Gasdruckregler und Filter kontrollieren.
- Gasdruck mit Manometer kontrollieren.
- Meßwert kontrollieren.

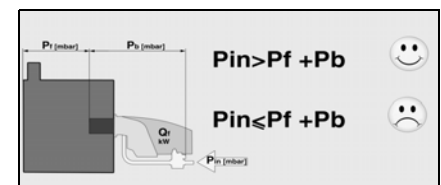
Overview - Gas pressure loss diagrams / Panoramica - Diagramma perdita di pressione / Vue d'ensemble - Diagrammes perte de pression de gaz / Descripción - Diagramas de pérdida de presión / Обзор - Диаграмма перепада давления газов / Überblick - Druckverlust-Diagramm

Burner Bruciatore Brûleur Quegador Горелок	Gas train Rampa gas Rampe gaz Rampa de gas Газовая рампа	Advisable gas governor & filter Stabilizzatore e Filtro Gaz recommandé régulateur et filtre Aconsejable de regulador de presión y el filtro Рекомендуемые газовые регуляторы и фильтры	Spring color Colore molla Couleur du ressort color de resorte Цвет пружины	Inlet gas pressure MIN [mbar] Pressione ingresso gas MIN [mbar] Pression du gaz d'entrée MIN [mbar] Presión de gas de entrada MIN [mbar] Давление газа вход МИН [мбар]	Inlet gas pressure MAX [mbar] Pressione ingresso gas MAX [mbar] Pression du gaz d'entrée MAX [mbar] Presión de gas de entrada MAX [mbar] Давление газа вход МАКС [мбар]	Diagram Diagramma Diagramme Diagrama Диаграмма	
BLU 1700.1 (Natural Gas)	VGD 40.080	FILTER DN80	neutral	20	500	5	
	VGD 40.065	FILTER DN 65	neutral	30	500		
	VGD 20.503	FILTER 2"	neutral	45	500		
	6	VCS 350	FGDR 2"	violey	65	500	
		VCS 240	FGDR-RP50		105	500	
		VCS 240	FGDR 1"1/2	brown	150	500	
		7	MBDLE 420	included	-	60	360
			MBDLE 415	included	-	85	360
BLU 2000.1 (Natural Gas)	VGD 40.080	FILTER DN80	neutral	23	500	9	
	VGD 40.065	FILTER DN 65	neutral	35	500		
	VGD 20.503	FILTER 2"	neutral	60	500		
	10	VCS 350	FGDR 2"	violey	90	500	
		VCS 240	FGDR-RP50		155	500	
		VCS 240	FGDR 1"1/2	brown	220	500	
		11	MBDLE 420	included	-	75	360
			MBDLE 415	included	-	100	360

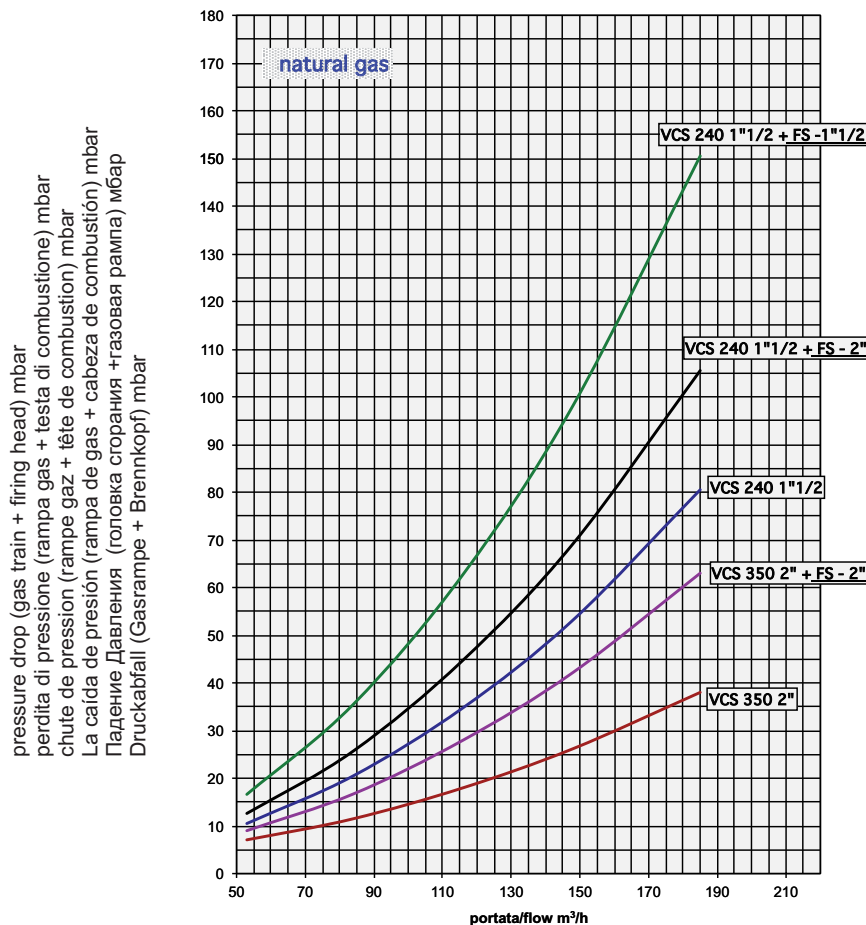
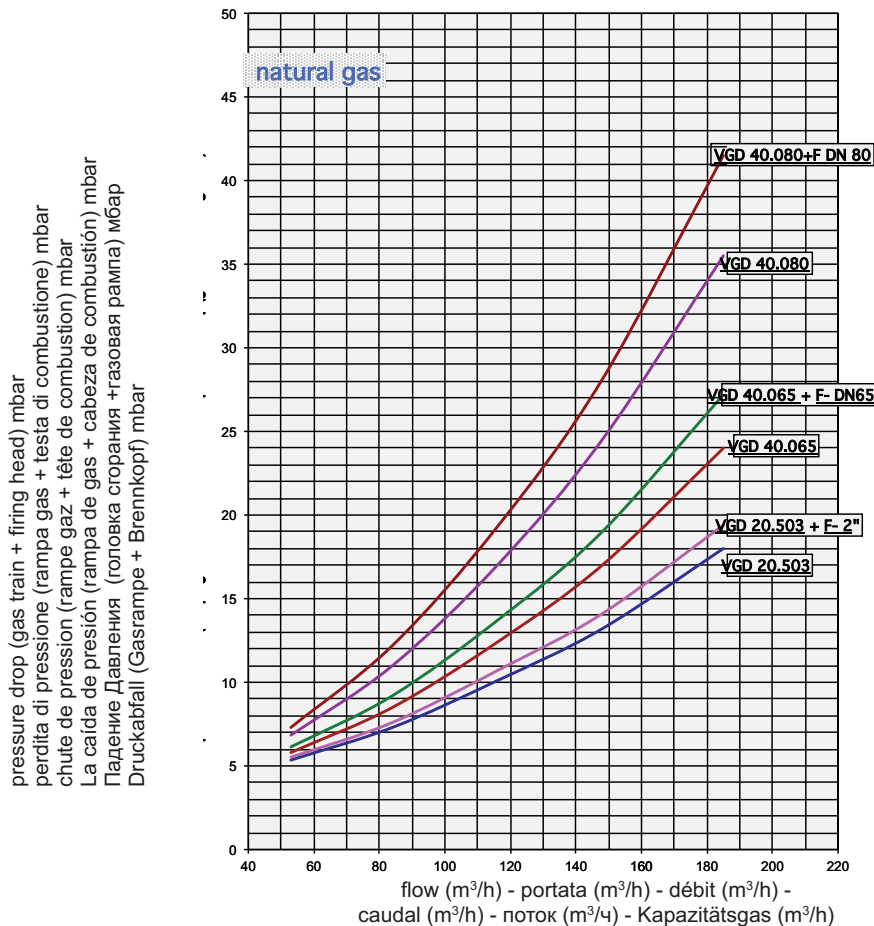
! **PRESSURE DROP** includes: "COMBUSTION HEAD + GAS TRAIN + GAS GOVERNOR & FILTER" as per EN676 Standard. Back pressure of boiler (or other applications) must be added/included in order to have the total min pressure drop.
Le PERDITE DI PRESSIONE includono: "TESTA DI COMBUSTIONE + RAMPA GAS + STABILIZZATORE & FILTRO" come da standard EN676. La contropressione della caldaia (o altre applicazioni) deve essere aggiunta / inclusa per avere la caduta di pressione totale min.
La CHUTE DE PRESSION comprend : "TETE DE COMBUSTION + RAMPE DE GAZ + REGULATEUR DE GAZ ET FILTRE" conformément à la norme EN676. La contrepession de la chaudière (ou d'autres applications) doit être ajoutée /incluse afin d'avoir la chute totale de pression min.
LA CAÍDA DE PRESIÓN incluye: "CABEZA COMBUSTIÓN + RAMPA DE GASES + REGULADOR GAS Y FILTRO según la norma EN 676. La contrapresión de la caldera (o de otras aplicaciones) puede adicionarse/incluirse para obtener la caída de presión mínima total.
ПАДЕНИЕ ДАВЛЕНИЯ включает в себя: "ГОЛОВКА СГОРАНИЯ + ГАЗОВАЯ РАМПА + ГАЗОВЫЙ РЕГУЛЯТОР И ФИЛЬТР" согласно стандарту EN676. Противодавление котла (или других устройств) должно быть добавлено/включено для получения минимального падения давления.
Die DRUCKVERLUSTE umfassen: "VERBRENNUNGSKOPF + GASSTRECKE + STABILISATOR & FILTER" laut Standard EN676. Der Gegendruck des Heizkessels (oder anderer Anwendungen) muss hinzugefügt/eingeschlossen werden, um den minimalen Gesamtdruckabfall zu erhalten.

LEGENDA / УСЛОВНЫЕ ОБОЗНАЧЕНИЯ/ LEGENDE

Pf: Back pressure of furnace / Contropressione al focolare / retour pression du chambre de combustion / Contra presión del horno / Противодавление в топке / Feuerraumwiderstand.
Pb: Pressure of burner (combustion head + complete gas train) / Pressione gas bruciatore (testa di combustione + rampa gas) / pression du brûleur (tête de combustion + rampe gaz complète) / Presión del quemador (Cabeza de combustión + Rampa de gas completa) / Газовое давление горелки (головка сгорания + газовая рампа) / Brennergasdruckverlust (Druckverlust des Mischkopfs und der gesamten Gasrampe).
Pin: Minimum inlet pressure / Pressione minima di alimentazione / la pression d'entrée minimale / Presión mínima de entrada / Минимальное давление питания / minimaler Gasanschlussdruck.

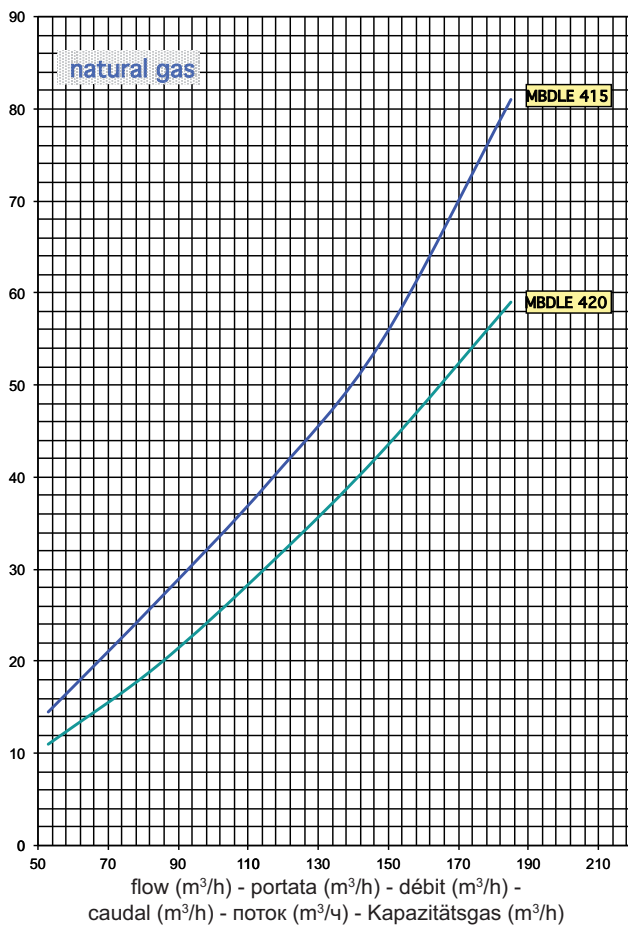


Overview - Gas pressure loss diagrams / Panoramica - Diagramma perdita di pressione / Vue d'ensemble - Diagrammes perte de pression de gaz / Descripción - Diagramas de pérdida de presión / Обзор - Диаграмма перепада давления газов / Überblick - Druckverlust-Diagramm



Overview - Gas pressure loss diagrams / Panoramica - Diagramma perdita di pressione / Vue d'ensemble
- Diagrammes perte de pression de gaz / Descripción - Diagramas de pérdida de presión / Обзор - Диарамма
перепада давления газов / Überblick - Druckverlust-Diagramm

pressure drop (gas train + firing head) mbar
perdita di pressione (rampa gas + testa di combustione) mbar
chute de pression (rampe gaz + tête de combustion) mbar
La caída de presión (rampa de gas + cabeza de combustión) mbar
Падение Давления (головка сгорания + газовая рампа) мбар
Druckabfall (Gasrampe + Brennkopf) mbar

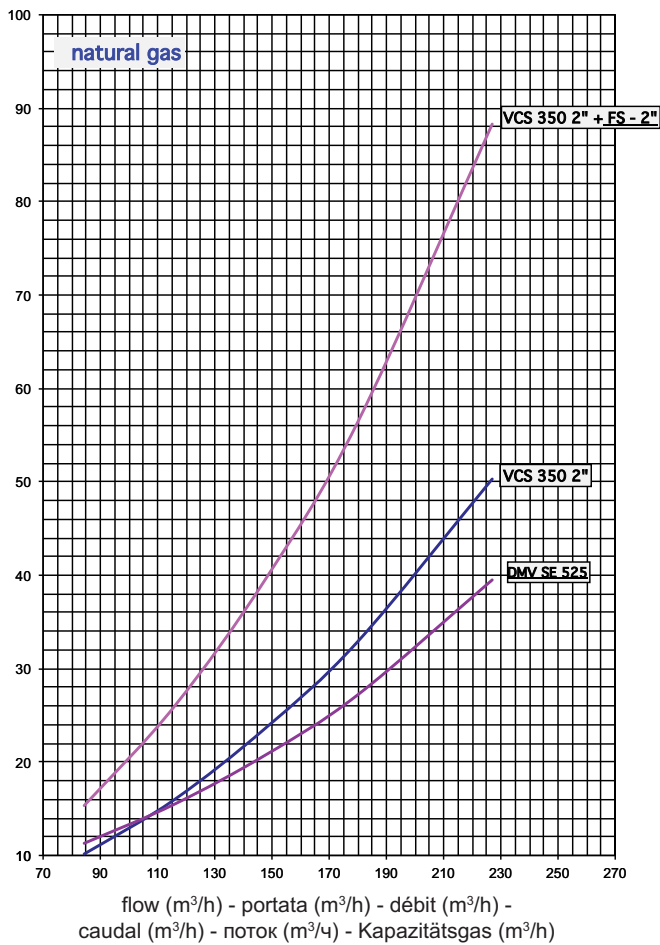


pressure drop (gas train + firing head) mbar
perdita di pressione (rampa gas + testa di combustione) mbar
chute de pression (rampe gaz + tête de combustion) mbar
La caída de presión (rampa de gas + cabeza de combustión) mbar
Падение Давления (головка сгорания + газовая рампа) мбар
Druckabfall (Gasrampe + Brennkopf) mbar



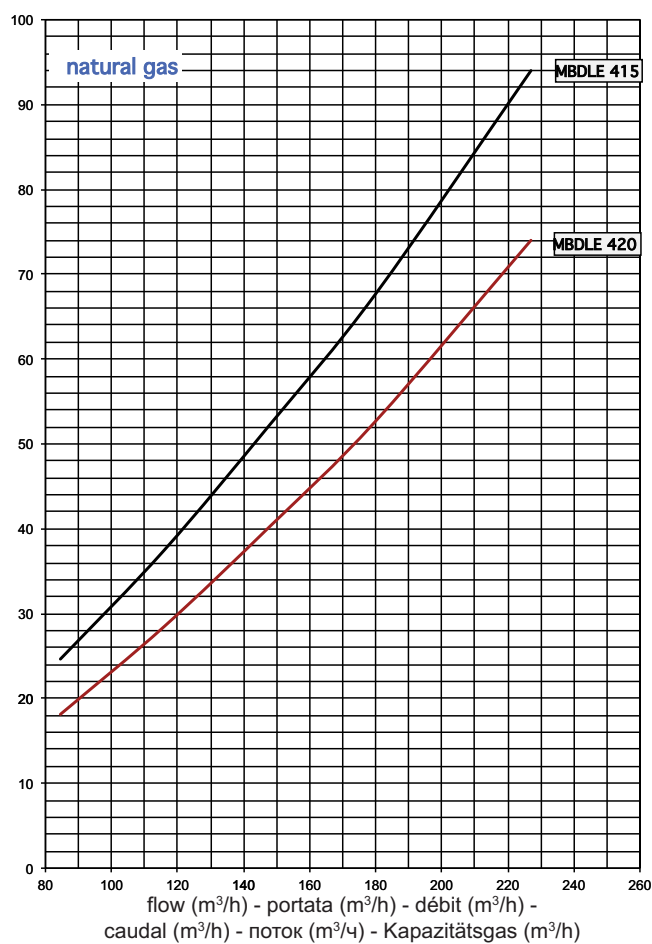
Overview - Gas pressure loss diagrams / Panoramica - Diagramma perdita di pressione / Vue d'ensemble - Diagrammes perte de pression de gaz / Descripción - Diagramas de pérdida de presión / Обзор - Диаграмма перепада давления газов / Überblick - Druckverlust-Diagramm

pressure drop (gas train + firing head) mbar
 perdita di pressione (rampa gas + testa di combustione) mbar
 chute de pression (rampe gaz + tête de combustion) mbar
 La caída de presión (rampa de gas + cabeza de combustión) mbar
 Падение Давления (головка сгорания + газовая рампа) мбар
 Druckabfall (Gasrampe + Brennkopf) mbar



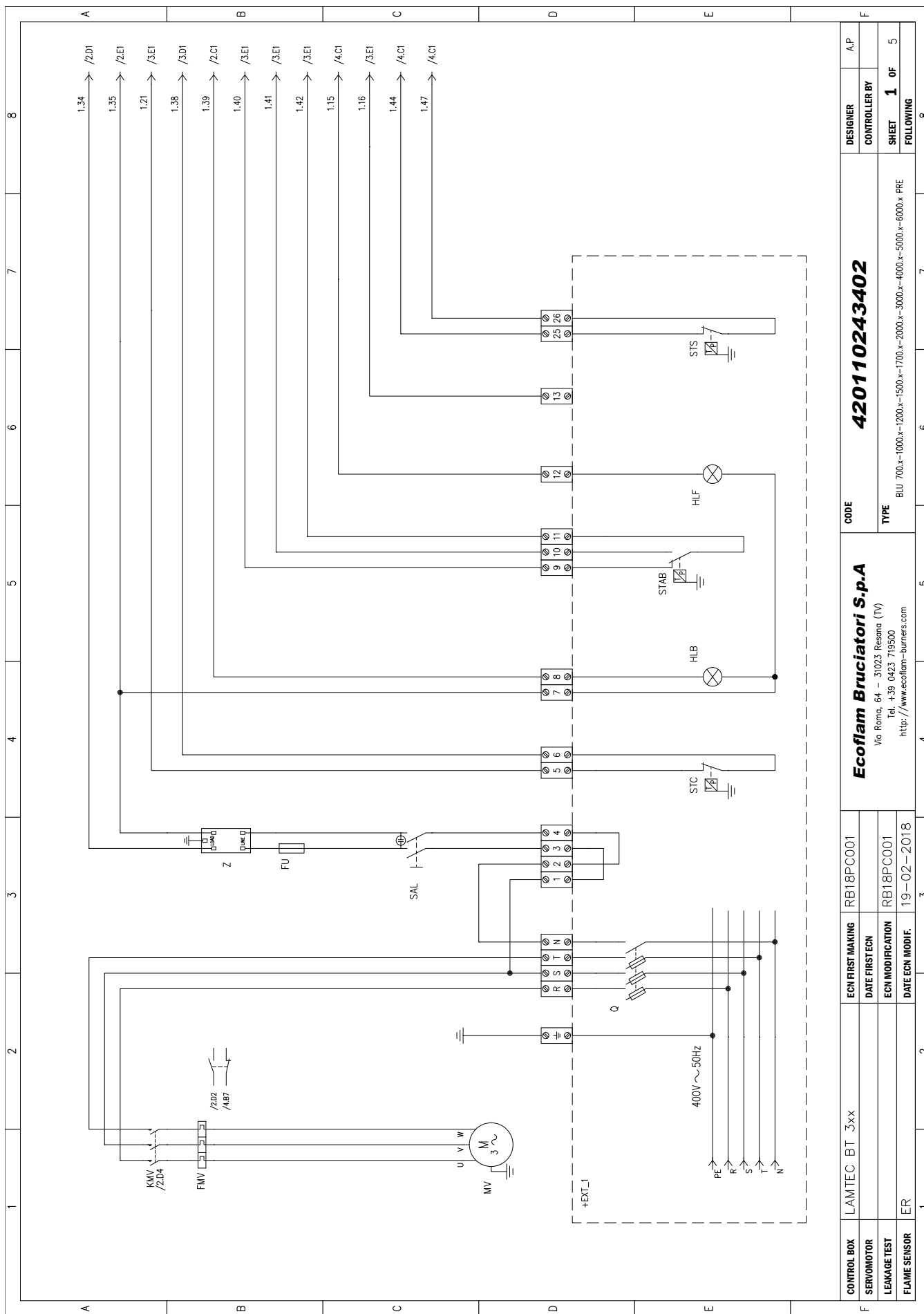
10

pressure drop (gas train + firing head) mbar
 perdita di pressione (rampa gas + testa di combustione) mbar
 chute de pression (rampe gaz + tête de combustion) mbar
 La caída de presión (rampa de gas + cabeza de combustión) mbar
 Падение Давления (головка сгорания + газовая рампа) мбар
 Druckabfall (Gasrampe + Brennkopf) mbar



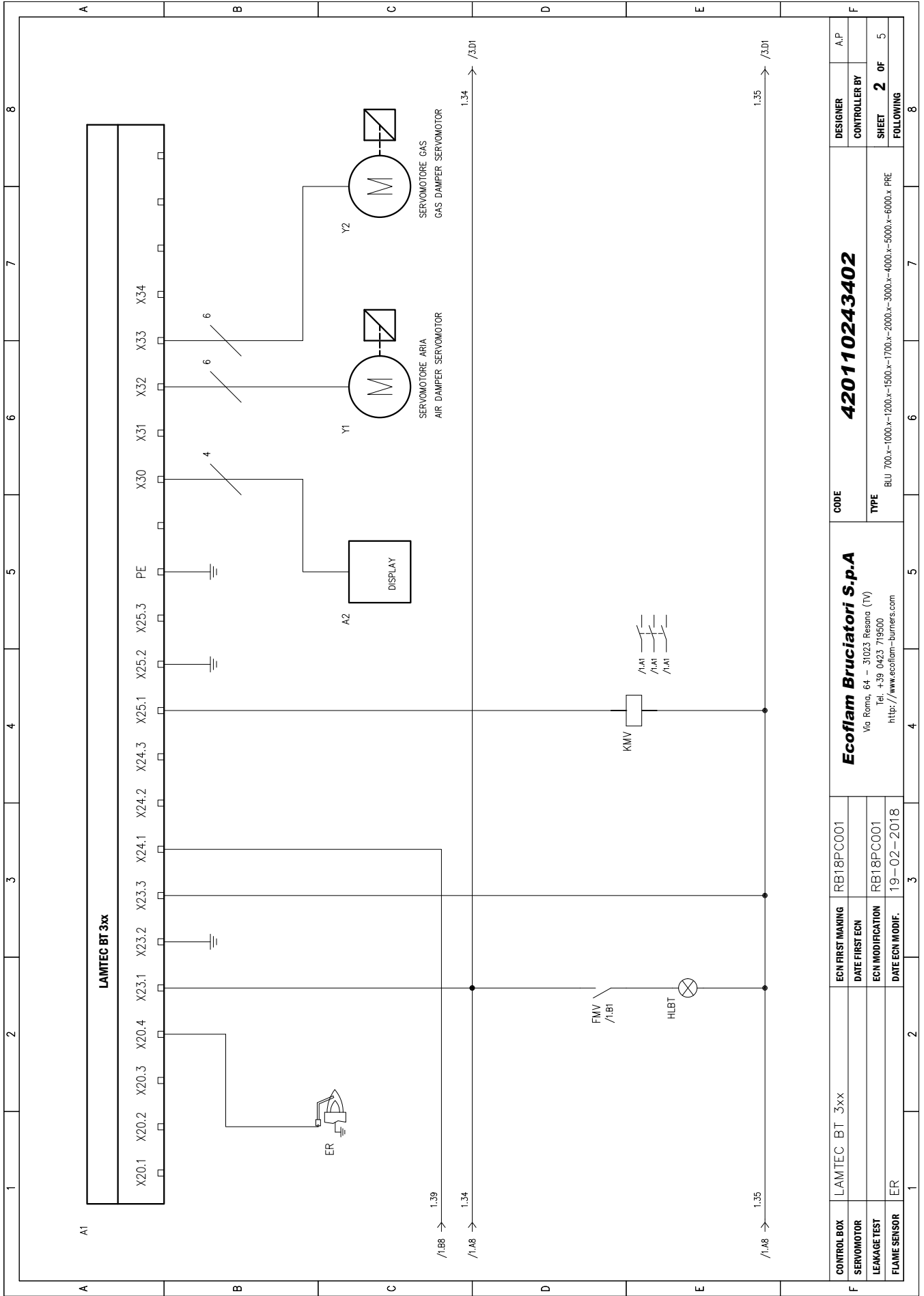
11

Overview - Electric diagrams / Панорамica - Schemi elettrici / Vue d'ensemble - Schémas électrique / Descripción - Esquemas eléctrico /
Обзор - Электрические схемы / Überblick - Elektrische Diagramme



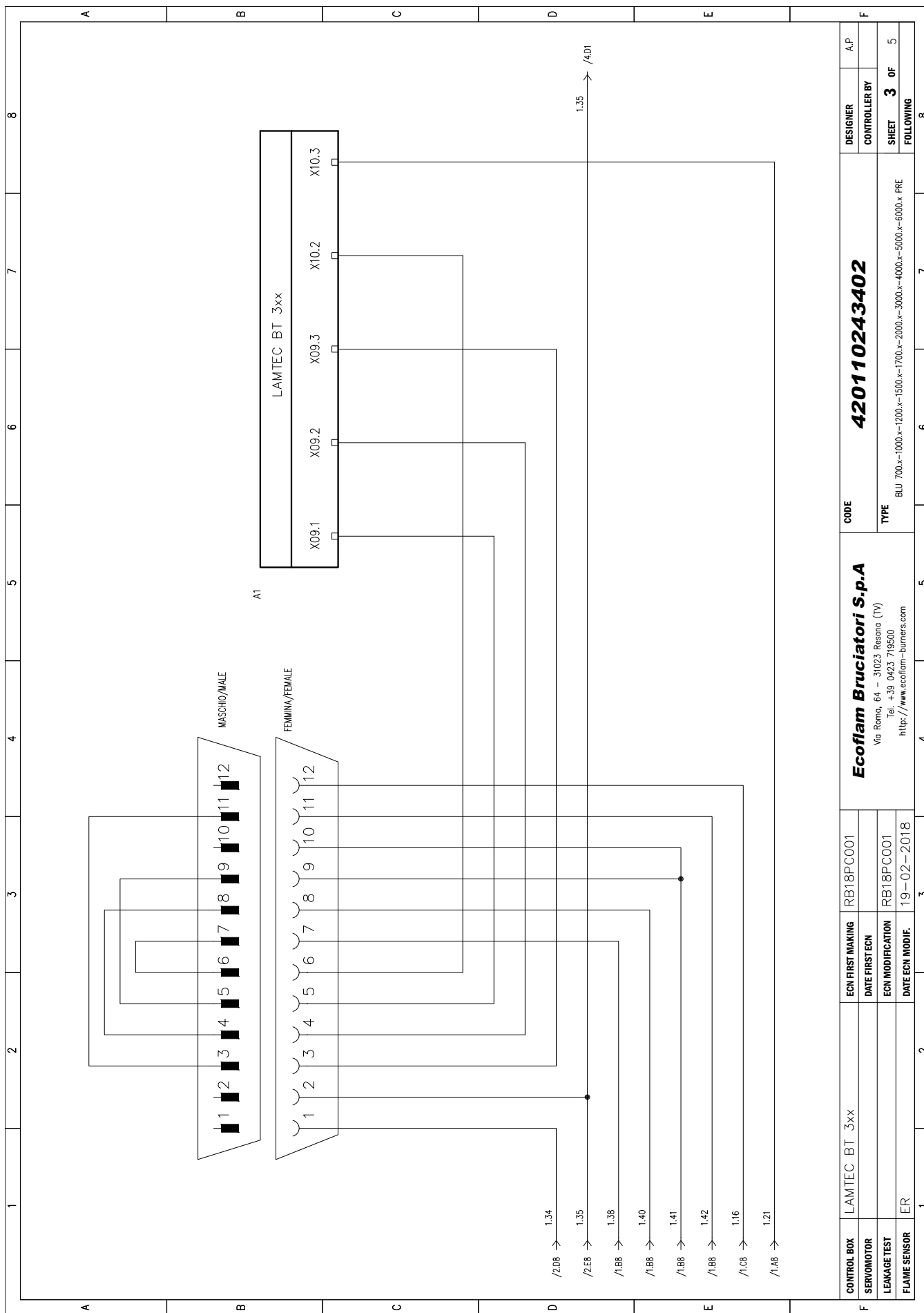
CONTROL BOX	LAMTEC BT 3xx	ECN FIRST MAKING	RB18PC001	CODE	420110243402		DESIGNER	A.P.
SERVOMOTOR		DATE FIRST ECN		Ecoflam Bruciatori S.p.A		CONTROLLER BY		
LEWAGE TEST		ECN MODIFICATION	RB18PC001	Via Roma, 64 - 31023 Resana (TV)		SHEET	1	OF
FLAME SENSOR	ER	DATE ECN MODIF.	19-02-2018	Tel. +39 0423 719500		FOLLOWING	5	
				http://www.ecoflam-burners.com				
						TYPE	BLU 700.x-1000.x-1200.x-1500.x-1700.x-2000.x-3000.x-4000.x-5000.x-6000.x PRE	

Overview - Electric diagrams / Панорамica - Schemi elettrici / Vue d'ensemble - Schémas électrique / Descripción - Esquemas eléctrico /
Обзор - Электрические схемы / Überblick - Elektrische Diagramme



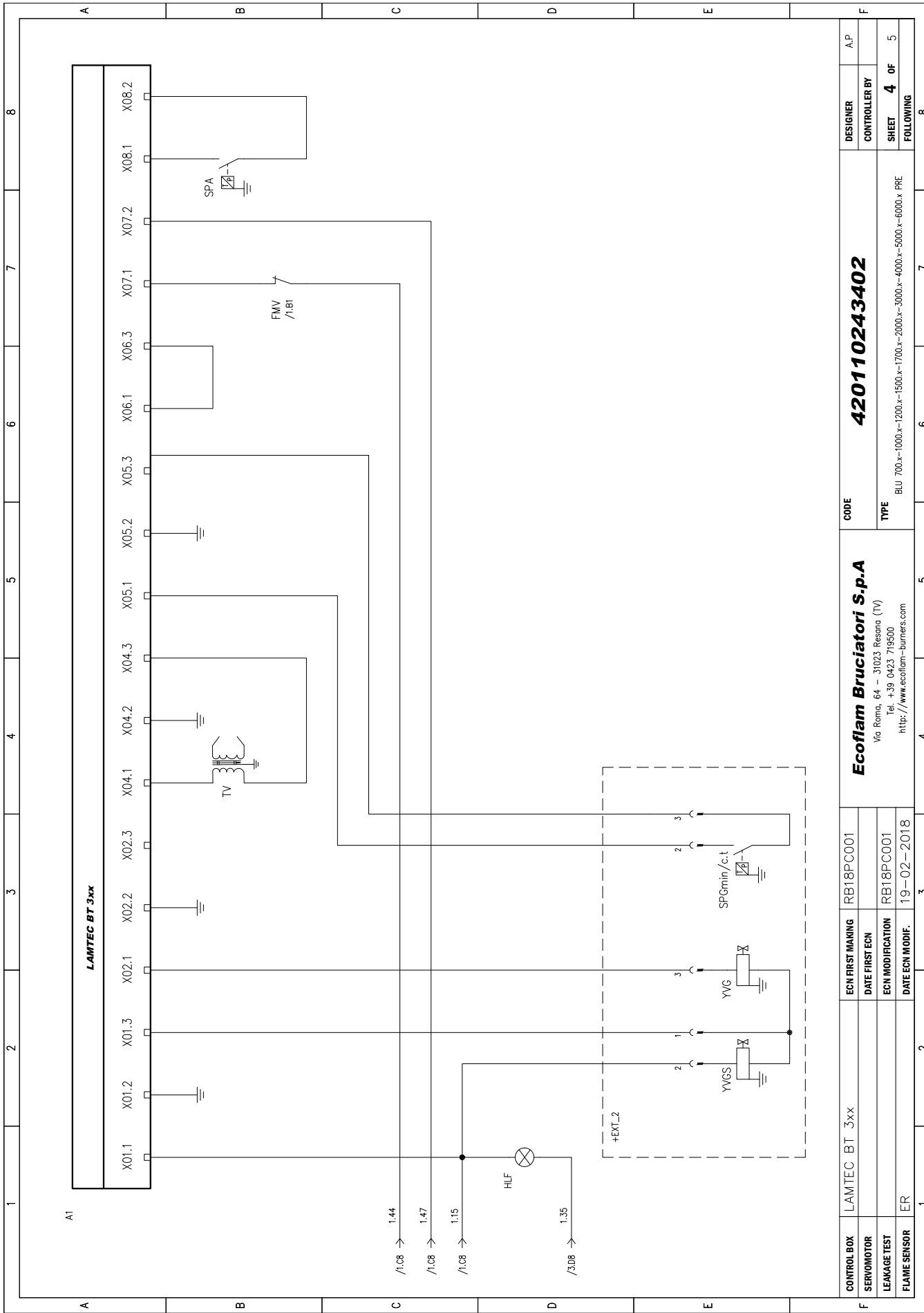
CONTROL BOX	LAMTEC BT 3xx	ECN FIRST MAKING	RB18PC001	DESIGNER	A.P
SERVOMOTOR		DATE FIRST ECN	RB18PC001	CONTROLLER BY	
LEAKAGE TEST		ECN MODIFICATION	RB18PC001	SHEET	2 OF 5
FLAME SENSOR	ER	DATE ECN MODIF.	19-02-2018	FOLLOWING	
		CODE		420110243402	
		TYPE		BLU 700.x-1000.x-1200.x-1500.x-1700.x-2000.x-3000.x-4000.x-5000.x-6000.x PRE	
		Ecoflam Bruciatori S.p.A		8	
		Via Roma, 64 - 31023 Resana (TV)			
		Tel. +39 0423 719500			
		http://www.ecoflam-burners.com			

Overview - Electric diagrams / Панорамica - Schemi elettrici / Vue d'ensemble - Schémas électrique / Descripción - Esquemas eléctrico /
Обзор - Электрические схемы / Überblick - Elektrische Diagramme



CONTROL BOX	LAMTEC BT 3xx	ECN FIRST MAKING	RB18PC001	DESIGNER	A.P.
SERVMOTOR		DATE FIRST ECN	RB18PC001	CONTROLLER BY	
LEWAGE TEST		ECN MODIFICATION	19-02-2018	SHEET	3 OF 5
FLAME SENSOR	ER	DATE ECN MODIF.		FOLLOWING	
				CODE	420110243402
				TYPE	BLU 700.x-1000.x-1200.x-1500.x-1700.x-2000.x-3000.x-4000.x-5000.x-6000.x PRE
				Ecoflam Bruciatori S.p.A	
				Via Roma, 64 - 31023 Resana (TV) Tel. +39 0423 719500 http://www.ecoflam-burners.com	

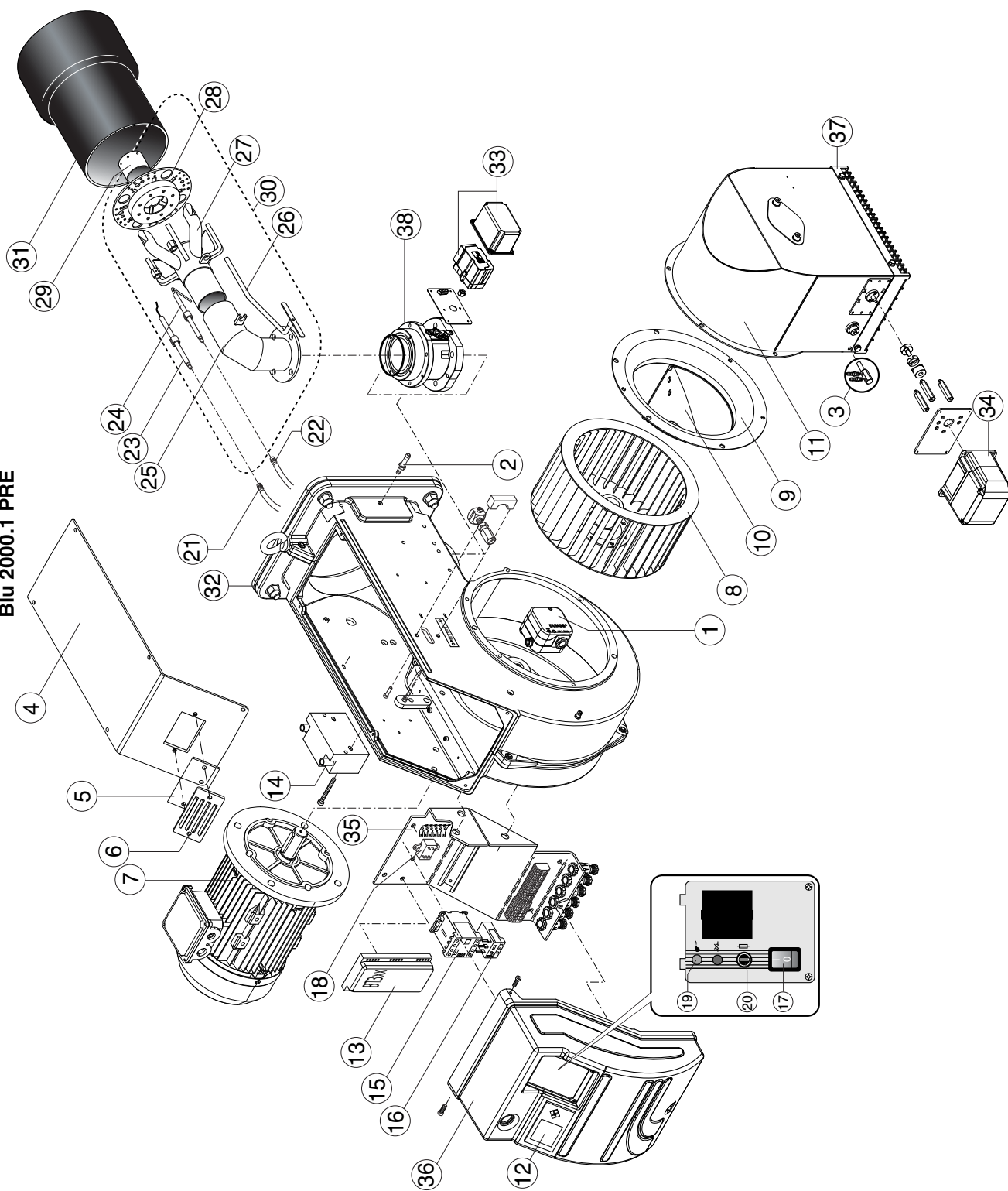
Overview - Electric diagrams / Панорамica - Schemi elettrici / Vue d'ensemble - Schémas électrique / Descripción - Esquemas eléctrico /
Обзор - Электрические схемы / Überblick - Elektrische Diagramme



CONTROL BOX		LAMTEC BT 3xx		ECN FIRST MAKING		RB18PC001		CODE		DESIGNER		A.P.	
SERVOMOTOR				DATE FIRST ECN				420110243402		CONTROLLER BY			
LEAKAGE TEST				ECN MODIFICATION		RB18PC001		TYPE		SHEET		4 OF 5	
FLAME SENSOR		ER		DATE ECN MODIF.		19-02-2018		BLU 700.x-1000.x-1200.x-1500.x-1700.x-2000.x-3000.x-4000.x-5000.x-6000.x PRE		FOLLOWING		8	
Ecoflam Bruciatori S.p.A													
Via Roma, 64 - 31023 Resana (TV)													
Tel. +39 0423 719500													
http://www.ecoflam-burners.com													

Overview - Spare parts list / Panoramica - Parti di ricambio / Vue d'ensemble - Pièces de rechange / Descripción - Piezas de recambio /
Обзор - Запчасти / Überblick - Ersatzteilliste

Blu 1700.1 PRE
Blu 2000.1 PRE



Overview - Spare parts list / Panoramica - Parti di ricambio / Vue d'ensemble - Pièces de rechange / Descripción - Piezas de recambio /
Обзор - Запчасти / Überblick - Ersatzteilliste

N°	DESCRIPTION	DESCRIZIONE	DESIGNATION	DESCRIPCIÓN	BLU 1700.1 PRE	BLU 2000.1 PRE
					code	code
1	AIR PRESSURE SWITCH	PRESSOSTATO ARIA	PRESSOSTAT AIR	PRESOSTATO AIRE	65323047	65323047
2	PRESSURE GAUGE	PRESA DI PRESSIONE	PRISE DE PRESSION	TOMA DE PRESIÓN	65321341	65321341
3	AIR INTAKE SET	GRUPPO PRESE ARIA	SET DE PRISES D'AIR	COJUNTO TOMAS DE AIRE	65322346	65324718
4	COVER	COPERCHIO	COUVERCLE DU BRULEUR	TAPA	65320676	65320676
5	GLASS	VETRINO	HUBLOT	VIDRIOSO	65320487	65320487
6	PEED WINDOW FRAME	CORNICE OBLO	PROTECTION HULBOT	SOPORTE VIDRIOSO	65320488	65320488
7	MOTOR	MOTORE	MOTEUR	MOTOR	65322831	-
					3000 W	-
					4000 W	65325351
8	FAN	VENTOLA	VENTILATEUR	VENTILADOR	65321798	65321798
9	AIR CONVEYOR	CONVOGLIATORE	CONVOYEUR D'AIR	CONDUCTO DE AIRE	65320643	840050055301
10	FAN SCOOP	SURPRESSORE	SURPRESSEUR	SURPRESORE	-	65320625
11	AIR INTAKE	CASSETTO	BOITE D'AIR	REJILLA DE PROTECCION	65326918	65326918
12	DISPLAY	DISPLAY	DISPLAY	DISPLAY	65326932	65326932
13	CONTROL BOX	APPARECCHIATURA	COFFRET DE SECURITE	EQUIPO CONTROL LLAMA	65326933	65326933
14	IGNITION TRANSFORMER	TRASFORMATORE	TRANSFORMATEUR D'ALLUMAGE	TRANSFORMADOR	BT 320 667R1320-1	0T106-41
15	REMOTE CONTROL SWITCH	CONTATTORE	TELERUPTEUR	EMPALME MOTOR VENTILADOR	TRS820 2X4 230V L1140	65073928
16	MOTOR THERMAL RELAY	RELE TERMICO	RELAIS THERMIQUE	TERMICO	RF38 1000 V195 6.3-10 A	65323108
17	MAIN SWITCH	INTERRUTTORE DI LAVORO	INTERRUPTEUR DE TRAVAIL	INTERRUPTOR DE LINEA	cod.4010011509	65323064
18	ANTIHAMMING FILTER	COMMUTATORE	SELECTEUR	CONMUTADOR	65323170	65323170
19	LAMP	LAMPADA	LAMPE	ESPIA	65322053	65324100
20	FUSE SUPPORT	PORTA FUSIBILE	PORTEFUSIBLE	PORTAFUSIBILE	65325033	65325033
21	IGNITION CABLE	CAVO ACCENSIONE	CABLE D'ALLUMAGE	CABLE DE ENCENDIDO	65322181	65322181
					FUSIT FH-B528	65322002
22	IONIZATION CABLE	CAVO RIVELAZIONE	CABLE D'IONISATION	CABLE DE CONTROL LLAMA	TL	65320946
					TC	65320943
					TL	65322003
23	IGNITION ELECTRODE	ELETTRODO ACCENSIONE	ELECTRODE D'ALLUMAGE	GRUPO ELECTRO DE ENCENDIDO	65320902	65325902
24	IONIZATION PROBE	ELETTRODO RIVELAZIONE	SONDE D'IONISATION	ELECTRODO DE CONTROL LLAMA	65320892	65320892
25	HEAD SUPPORT PIPE	TUBO SUPPORTO TESTA	TUYAU SUPPORT TETE	TUBO SOPORTE CABEZA DE COMBUSTION	65321667	65321667
					TL	65321668
26	ROD	ASTA REGOLAZIONE TESTA	SUPPORT	SOPORTE CABEZA DE COMBUSTION	65320244	65320244
					TL	65320245
					65320245	65320245
27	FIRING HEAD	TESTA DI COMBUSTIONE	TETE DE COMBUSTION	CABEZA DE COMBUSTION	65321669	65321669
28	FRONT DISC	DISCO ANTERIORE	DISQUE ANTERIEUR	DISCO ANTERIOR	65320743	65320743
29	TOOTH	NASELLO	MENTONNET	MANGUITO	65321606	65321606
30	INNER ASSEMBLY	GRUPPO TESTA	GRUPE TETE DE COMBUSTION	GRUPO CABEZA DE COMBUSTION	65325928	65325928
					TL	65325929
31	BLAST TUBE	BOCCAGLIO	GUEULARD	TUBO LLAMA	65320438	65320436
					65320439	65320437
32	GASKET	FLANGIA ISOMART	BRIDE ISOMART	JUNTA ISOMART	65321124	65321124
33	GAS DAMPER MOTOR	MOTORIDUTTORE GAS	MOTOREDUCTEUR GAZ	MOTORREDUCTOR GAS	STE 4.5 B0.37/6-R 0.8NM	65300527
34	AIR DAMPER MOTOR	MOTORIDUTTORE ARIA	MOTOREDUCTEUR AIR	MOTORREDUCTOR AIRE	STE4.5 Q3.51/6 3NM/RW. PIN	65311650
35	SUPPORT	SUPPORTO	SUPPORT	SOPORTE	65320476	65320476
36	COVER	COPERCHIO	COUVERCLE	TAPA	65326894	65326894
37	PROTECTION	PROTEZIONE	PROTECTION	PROTECCION	65320557	65320557
38	THROTTLE GROUP	GRUPPO VALVOLA A FARFALLA	GRUPE VANNE A PAPILLON	GRUPO VALVULA MARIPOSA	65312322	65326913

TC = Testa corta / Short Head / Tete courte / Cabeza corta / КОРОТКАЯ ОТНЕВАЯ ГОЛОВКА / SKUPZER BRENNERKOPF TL = Testa lunga / Long Head / Tete longue / Cabeza larga / ДЛИННАЯ ОТНЕВАЯ ГОЛОВКА / LANGER BRENNERKOPF

N°	BESCHREIBUNG	ОПИСАНИЕ	BLU 1700.1 PRE	BLU 2000.1 PRE
			code	code
1	LUFTDRUCKWÄCHTER	РЕЛЕ ДАВЛЕНИЯ ВОЗДУХА	DUNGS LGW10 A2P	65323047
2	DRUCKANSCHLUß	ГНЕЗДО ОТБОРА ДАВЛЕНИЯ		65321341
3	LUFTLEINLASS-SET	ВОЗДУХОЗАБОР В СБОРЕ		65324718
4	BRENNERHAUBE	КРЫШКА ГОРЕЛКИ		65320676
5	GLAS	СТЕКЛО		65320487
6	SICHTFENESTERRAHMEN	РАМКА СМОТРОВОГО СТЕКЛА		65320488
7	MOTOR	ДВИГАТЕЛЬ	3000 W	-
			4000 W	65325351
8	GEBLÄSE	ВЕНТИЛЯТОР	280 X 140	65321798
9	FORDERER	ВОЗДУХОВОД		65320643
10	BOOSTERGEBLÄSE	ДЕФЛЕКТОР		65320625
11	LUFTCONVEYOR	ВОЗДУХОЗАБОР		65326918
12	DISPLAY	DISPLAY	LAMTEC UI800	65326932
13	SCHALTGERÄT	БЛОК УПРАВЛЕНИЯ	BT 320 667R1320-1	65326933
14	TRANSFORMATOR	ТРАНСФОРМАТОР РОЗЖИГА	TRS820 2X4 230V L1140	0T106-41
15	SCHALTSCHUTZ	ДИСТАНЦИОННЫЙ ПУСКАТЕЛЬ	BF1810A230	65073928
16	THERMORELAYS	ТЕПЛОВОЕ РЕЛЕ ДВИГАТЕЛЯ	RF38 1000 V195 6,3-10 A	65323108
17	BETRIEBSSCHALTER	ГЛАВНЫЙ ВЫКЛЮЧАТЕЛЬ	cod.4010011509	65323064
18	UMSCHALTER	ПЕРЕКЛЮЧАТЕЛЬ		65323170
19	LAMPE	ИНДИКАТОРНАЯ ЛАМПОЧКА	EL/N-SC4 Electrospring	65324100
			RED LED	65325033
20	SICHERUNGSHALTER	ГНЕЗДО ПЛАВКОГО ПРЕДОХРАНИТЕЛЯ	FUSIT FH-B528	65322181
21	КАБЕЛЬ РОЗЖИГА	ПРОВОД РОЗЖИГА	TC	65322002
			TL	65320946
22	MESSKABEL	ПРОВОД ЭЛЕКТРОДА ОБНАРУЖДЕНИЯ ФАКЕ	TC	65320943
			TL	65322003
23	ZUNDELEKTRODE	ЭЛЕКТРОДЫ РОЗЖИГА		65320902
24	EINSTELLSTAB	ЭЛЕКТРОД ОБНАРУЖДЕНИЯ ПЛАМЕНИ		65320892
25	KNOPFLAGERROHR	КРЕПЕЖНАЯ ТРУБКА ОГНЕВОЙ ГОЛОВКИ	TC	65321667
			TL	65321668
26	DÜSENHALTUNGSSTANGE	РЕГУЛИРОВОЧНЫЙ ШТОК ОГНЕВОЙ ГОЛОВКИ	TC	65320244
			TL	65320245
27	BRENNKOPFGRUPPE	ОГНЕВАЯ ГОЛОВКА		65321669
28	VORDERSCHEIBE	ПЕРЕДНИЙ ДИСК		65320743
29	ZAHN	ВСТАВКА		65321606
30	KOPFGRUPPE	ОГНЕВАЯ ГОЛОВКА В СБОРЕ	TC	65325928
			TL	65325929
			TC	65320436
31	BRENNERROHR	СТАКАН ОГНЕВОЙ ГОРЕЛКИ	TL	65320437
32	DICHTUNG	ФЛАНЕЦ ISOMART		65321124
33	GETRIEBEMOTOR	ПРИВОД ВОЗДУШНОЙ ЗАСЛОНКИ	STE 4,5 B0.37/6-R 0.8NM	65300527
34	GETRIEBEMOTOR	ПРИВОД ВОЗДУШНОЙ ЗАСЛОНКИ	STE4,5 O3.51/6 3NM/RW. PIN	65311650
35	SUPPORT	SUPPORT		65320476
36	BRENNERHAUBE	КРЫШКА ГОРЕЛКИ		65326894
37	SCHUTZVORRICHTUNG	ПРЕДОХРАНИЕ		65320557
38	DROSSELVENTIL-GRUPPE	УЗЕЛ ДРОССЕЛЬНОГО КЛАПАНА		65312322

TC = Testa corta / Cabeza corta / КОРОТКАЯ ОГНЕВАЯ ГОЛОВКА / SKURZER BRENNERKOPF TL = Testa lunga / Cabeza larga / ДЛИННАЯ ОГНЕВАЯ ГОЛОВКА / LANGER BRENNERKOPF

Ecoflam

Ecoflam Bruciatori S.p.A.

Via Roma, 64 - 31023 Resana (TV) - Italy

Tel. +39 0423 719500

Fax +39 0423 719580

<http://www.ecoflam-burners.com>

e-mail: export@ecoflam-burners.com

Società soggetta alla direzione e al coordinamento di Ariston Thermo S.p.A.
Via A. Merloni, 45 - 60044 Fabriano (AN) - CF 01026940427

Ecoflam Bruciatori S.p.A. reserves the right to make any adjustments, without prior notice, which is considered necessary or useful to its products, without affecting their main features

Ecoflam Bruciatori S.p.A. si riserva il diritto di apportare ai prodotti le modifiche che riterrà necessarie o utili, senza pregiudicarne le caratteristiche principali.

La maison Ecoflam Bruciatori S.p.A. se réserve le droit d'apporter les modifications qu'elle jugera nécessaires ou utiles à ses produits sans pour autant nuire à leurs caractéristiques principales

Ecoflam Bruciatori S.p.A. se reserva el derecho a introducir en sus productos todas las modificaciones que considere necesarias o utiles, sin perjudicar sus características

"Ecoflam Bruciatori S.p.A." оставляет за собой право вносить в конструкцию оборудования любые необходимые изменения без особого предупреждения.

Ecoflam Bruciatori S.p.A. behält sich das Recht vor, ohne Beeinträchtigung der wesentlichen Eigenschaften für notwendig oder sinnvoll ersichtete Änderungen an den Produkten vorzunehmen.