

MAXFLAM 10  
MAXFLAM 20  
MAXFLAM 30



**Technical data**  
**Dati tecnici**  
**Données techniques**  
**Datos técnicos**  
**Технические характеристики**



**Operating instructions**  
**Istruzioni per l'uso**  
**Notice d'emploi**  
**Manual de uso**  
**Руководство по эксплуатации**



**Electric diagrams**  
**Schemi elettrico**  
**Schémas électrique**  
**Esquemas eléctrico**  
**Электрические схемы**



**Spare parts list**  
**Pièces de rechange**  
**Parti ricambi**  
**Piezas de recambio**  
**Запчасти**



420010602200

MAXFLAM 10 TC 230-50	3143324 (3142594)
MAXFLAM 10 TL 230-50	3143325 (3142595)
MAXFLAM 20 TC 230-50	3143326 (3142596)
MAXFLAM 20 TL 230-50	3143327 (3142597)
MAXFLAM 30 TC 400-50	3143328 (3142598)
MAXFLAM 30 TL 400-50	3143329 (3142599)

**Overview - Index of contents / Panoramica - Indice dei contenuti / Vue d'ensemble - Table des matières**  
**Descripción - Sumario / Обзор - Содержание**

<p>Conformity declaration          Dichiarazione di conformità          Déclaration de conformité          Declaración de conformidad          Сертификат соответствия</p>	<p>EN IT FR ES RU</p>	<p>3</p>
<p>Technical data          Dati tecnici          Données techniques          Datos técnicos          Технические характеристики</p>	<p>EN IT FR ES RU</p>	<p>4</p>
<p>Working diagrams          Campi di lavoro          Domaine de fonctionnement          Ámbito de funcionamiento          Рабочий диапазон</p>	<p>EN IT FR ES RU</p>	<p>5</p>
<p>Dimensions          Dimensioni          Dimensions          Dimensiones          Размеры</p>	<p>EN IT FR ES RU</p>	<p>6</p>
<p>Operating instructions for authorised specialists</p>	<p>EN</p>	<p>7 - 19</p>
<p>Istruzione per l'uso per il personale qualificato</p>	<p>IT</p>	<p>20 - 32</p>
<p>Notice d'emploi pour l'installateur spécialiste</p>	<p>FR</p>	<p>33 - 45</p>
<p>Instrucciones de montaje para el instalador especialista</p>	<p>ES</p>	
<p>Инструкция по эксплуатации Предназначено для квалифицированных специалистов по установке</p>	<p>RU</p>	<p>46 - 58</p>
<p>Electric diagrams          Schemi elettrico          Schémas électrique          Esquemas eléctrico          Электрические схемы</p>	<p>EN IT FR ES RU</p>	<p>59 - 61</p>
<p>Spare parts list          Parti di ricambio          Pièces de rechange          Piezas de recambio          Запчасти</p>	<p>EN IT FR ES RU</p>	<p>62 - 65</p>



## DICHIARAZIONE DI CONFORMITÀ DECLARATION OF CONFORMITY

La scrivente ditta  
*The writing company*

**ECOFLAM BRUCIATORI S.p.A.**

Con sede in via Roma, 64 – Resana (TV)  
*Address: via Roma, 64 – Resana (TV)*

### DICHIARA DECLARE

Sotto la propria responsabilità, che tutti i propri bruciatori di gasolio tipo **MAX ...**, **MAIOR...**, bruciatori di kerosene tipo **MAX ...**, **MAIOR...** e di olio combustibile tipo **MAXFLAM...**, **OILFLAM...** sono conformi a:

*Under their sole responsibility that all the **light oil burners MAX ...**, **MAIOR ... series**, **kerosene burners MAX ...**, **MAIOR ... series** and **heavy oil burners MAXFLAM ...**, **OILFLAM ... series** comply with requirements included in the following European Directives and Standards:*

- 2014/35/UE Direttiva bassa tensione (Low voltage directive)
- 2014/30/UE Direttiva EMC (EMC directive)
- 2006/42/EC Direttiva macchine (Machine directive)
- 2011/65/EU Direttiva RoHS2 (RoHS2 directive)
- EN 267
- EN 50156-1
- EN 55014-1
- EN 55014-2
- EN 60335-1
- EN 60335-2-102
- EN 61000-6-2
- EN 61000-6-3

**Date/Authorized Signature**

**September 2020 / Mr. Alessandro Rubboli**

Title of Signatory

R&D Manager

ECOFLAM BRUCIATORI S.p.A.

Sede operativa:

Via Roma, 64 - 31023 Resana (TV), Italy

Tel.: +39 (0) 423 719 500

Fax. +39 (0) 423 719 580

www.ecoflam-burners.com

Sede legale:

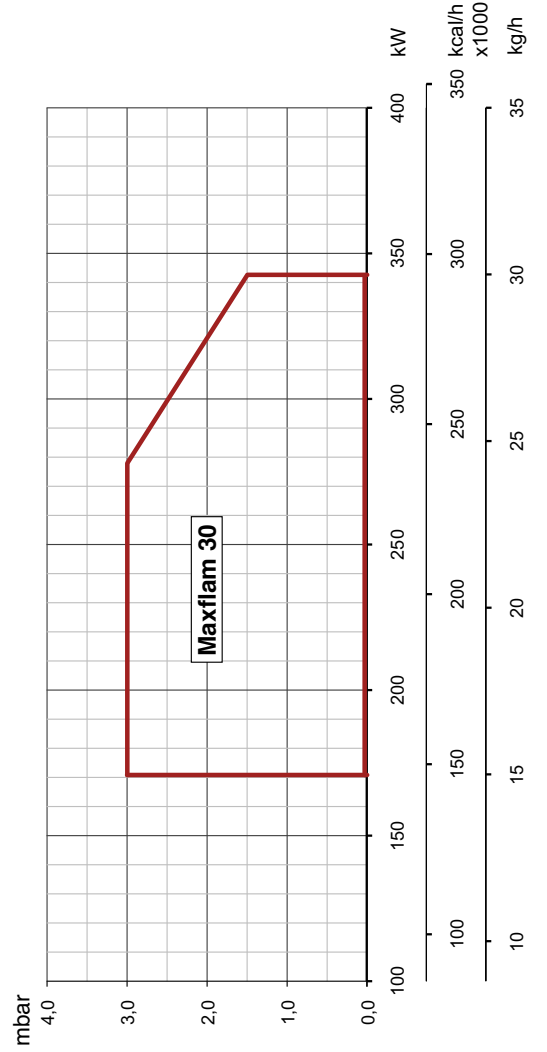
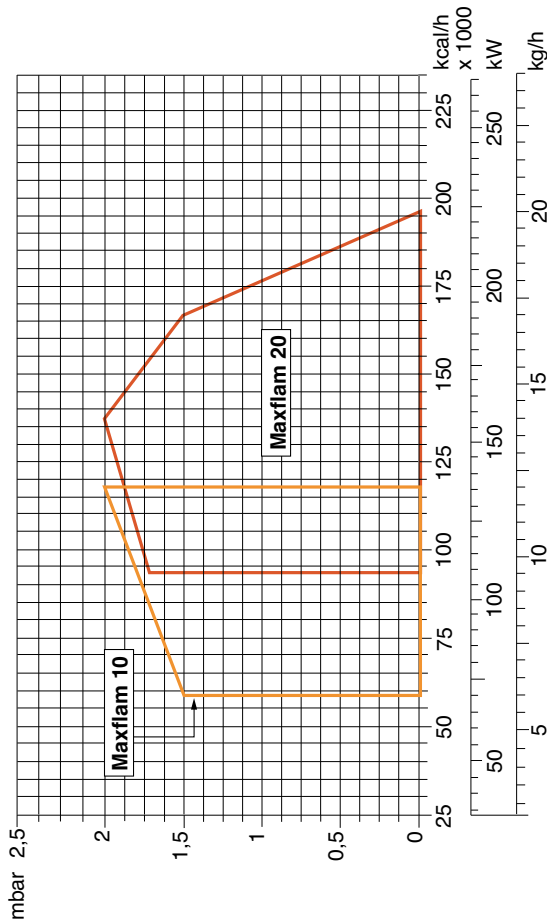
Viale Aristide Merloni, 45 - 60044 Fabriano(AN)

P.IVA e CF 00879740264

società soqgetta alla direzione e al coordinamento della Ariston Thermo S.p.A., via A. Merloni, 45 - 60044 Fabriano (AN) CF



**Overview - Working diagrams / Panoramica - Curve / Vue d'ensemble - Domaine de fonctionnement / Descripción - Ámbito de funcionamiento / Обзор - Рабочий диапазон**



**Working diagram**

The working diagram shows burner output as a function of combustion chamber pressure. It corresponds to the maximum values specified by EN 267 measured at the test fire tube. **The efficiency rating of the boiler should be taken into account when selecting a burner.**

Calculation of burner output:

$$QF = \frac{Q_N}{\eta_K}$$

QF = Burner output (kW)

Q<sub>N</sub> = Rated boiler output (kW)

η<sub>K</sub> = Boiler efficiency (%)

**Curva**

Il campo di attività indica la potenza del bruciatore in funzione della pressione della camera di combustione. Corrisponde ai valori massimi previsti dalla norma EN 267 misurati sul tubo della fiamma di controllo.

**In occasione della scelta del bruciatore si deve tenere conto del rendimento energetico della caldaia.**

Calcolo della potenza del bruciatore:

$$QF = \frac{Q_N}{\eta_K}$$

QF= potenza bruciata (kW)

Q<sub>N</sub>= potenza nominale della caldaia (kW)

η<sub>K</sub> = rendimento energetico della caldaia (%)

**Domaine de fonctionnement**

Le domaine de fonctionnement correspond aux valeurs mesurées lors de l'homologation. Elle correspond aux valeurs max mesurées sur tunnel d'essai d'après l'EN 267.

**Pour le choix du brûleur, tenir compte du rendement de la chaudière.**

Calcul de la puissance calorifique:

$$QF = \frac{Q_N}{\eta_K}$$

QF= Puissance calorifique (kW)

Q<sub>N</sub>= Puissance nominale chaudière (kW)

η<sub>K</sub> = Rendement chaudière (%)

**Ámbito de funcionamiento**

El ámbito de funcionamiento corresponde a los valores registrados en el momento de la homologación. Corresponde a los valores máx medidos en el túnel de ensayo según la EN 267.

**Para la elección del quemador, se ha de tener en cuenta el rendimiento de la caldera.**

Cálculo de la potencia calorífica:

$$QF = \frac{Q_N}{\eta_K}$$

QF = Potencia calorífica (kW)

Q<sub>N</sub> = Potencia nominal de la caldera (kW)

η<sub>K</sub> = Rendimiento de la caldera (%)

**Рабочий диапазон**

Рабочий диапазон соответствует значениям, измеренным при сертификации. Он соответствует максимальным значениям, измеренным в соответствии со стандартом EN 267 в стандартном канале.

**При выборе горелки необходимо учитывать КПД котла.**

Расчет тепловой мощности:

$$QF = \frac{Q_N}{\eta_K}$$

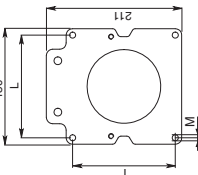
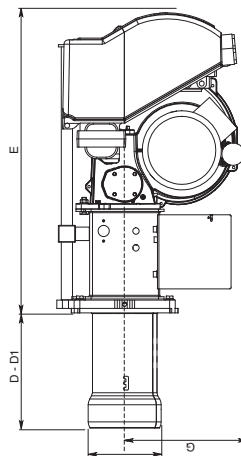
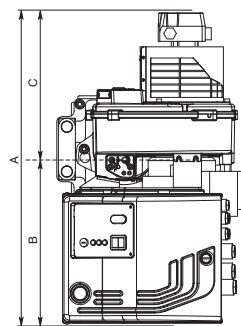
QF = Тепловая мощность, кВт

Q<sub>N</sub> = Номинальная мощность котла, кВт

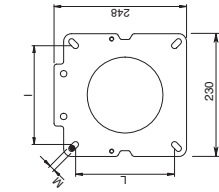
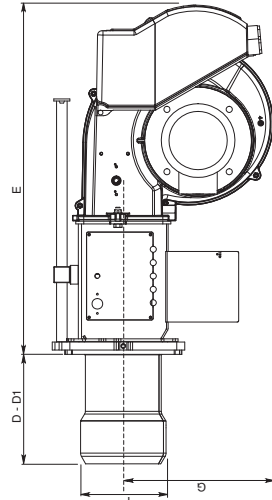
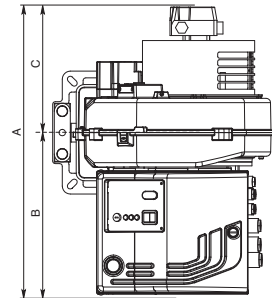
η<sub>K</sub> = КПД котла, %

Overview - Dimensions / Panoramica - Dimensioni / Vue d'ensemble - Dimensions / Descripción - Dimensiones / Обзор - Размеры

MAX FLAM 10-20



MAX FLAM 30

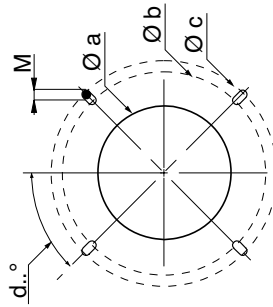


Model	A	B	C	D	D1	E	F	G	I	L	M
MAXFLAM 10	520	290	230	205	325	535	130	201	160	160	M8
MAXFLAM 20	520	290	230	205	325	535	130	201	160	160	M8
MAXFLAM 30	562	302	260	210	330	653	160	280	185/200	185/200	M10

Boiler plate drilling

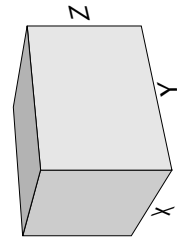
Model	Ø a	Ø b	Ø c
MAXFLAM 10	140	-	226
MAXFLAM 20	140	-	226
MAXFLAM 30	170	262	283

D = short head  
D1 = long head  
H1 = when silencer is fitted  
Dimensions (mm)



Packaging

Model	X	Y	Z	Kg
MAXFLAM 10	605	830	470	53
MAXFLAM 20	605	830	470	53
MAXFLAM 30	786	1045	565	74



## Contents - Index - General warnings

<b>Overview</b>	Conformity declaration	3
	Technical data	4
	Working diagrams	5
	Dimensions	6
<b>Contents</b>	Index	7
	General warnings	7
	Burner description	8
<b>Function</b>	General safety functions	9
	Siemens LMO 14 control and safety unit	10
	Oil burner pump	11
<b>Installation</b>	Burner assembly	12
	Electrical connection	13
	Checks before commissioning	13
	Heavy oil feeding and suction line	14
<b>Start up</b>	Setting data table - air regulation	16
	Adjusting burner output	17
	Oil pressure regulation	17
<b>Service</b>	Maintenance	18
	Troubleshooting	19
<b>Overview</b>	Electrical diagrams	59-61
	Spare parts list	62-65

### Important notes

Ecoflam burners have been designed and built in compliance with all current regulations and directives.



**All burners comply to the safety and energy saving operation regulations within the standard of their respective performance range.**



**The burner must not operate outside the working range.**

The quality is guaranteed by a quality and management system certified in accordance with ISO 9001:2008.

The MAXFLAM burners are designed for the combustion of heavy oil.



**The burners comply with standard EN267. Assembly and commissioning must be carried out only by authorised specialists and all applicable guidelines and directives must be observed.**

### Burner description

The MAXFLAM burner is a single-stage, fully-automatic monoblock type burners. Burner head is designed to get the lowest emissions in terms of NOx and unburnt particles in order to maximize the heat generator efficiency. Emissions can be different respect to the ones recorded in the lab because they depends a lot on the generator on which the burner is fit.

The installer must comply with compulsory

rules. Avoid for instance dangerous atmosphere or not ventilated rooms.

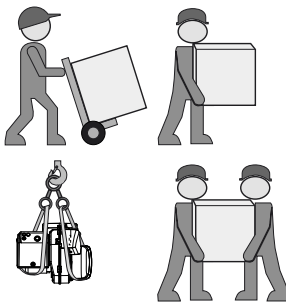
### Packaging and handling

Move the burner still in its packaging using a trolley or forklift, taking care not to drop it and elevating it no more than 20cm from ground level. After having removed the packaging, check that the contents are in good condition and correspond with what was ordered. If in doubt, contact the manufacturer.



**The burner must be installed by a qualified individual.**

If the weight and dimensions do not allow for manual lifting, ask another operator for



help or use a forklift, harness the burner using belts if no eyebolts are available.



Use the accessories provided (flange, gasket, pins and nuts) to install the burner onto the boiler, taking care not to damage the isolating gasket.

**We can accept no warranty liability whatsoever for loss, damage or injury caused by any of the following:**

- Inappropriate use.
- Incorrect assembly or repair by the customer or any third party, including the fitting of non-original parts.

### Provision of the system and the operating instructions

The firing system manufacturer must supply the operator of the system with operating and maintenance instructions on or before final delivery. These instructions should be displayed in a prominent location at the point of installation of the heat generator, and should include the address and telephone number of the nearest customer service centre.

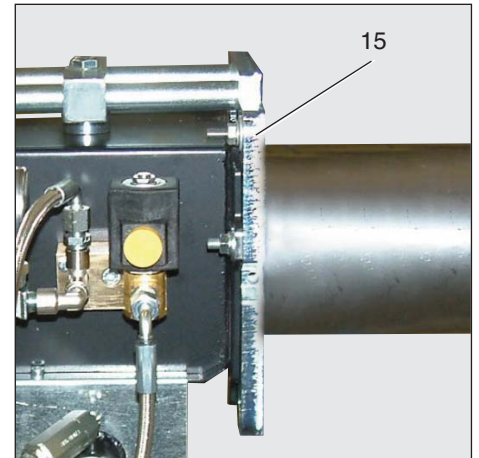
### Notes for the operator

The system should be inspected by a specialist at least once a year. It is advisable to take out a maintenance contract to guarantee regular servicing.

# Contents - Burner description

## MAXFLAM 30 - TC

NAME	
MAXFLAM	
MODEL SIZE	
MAXFLAM 30	
OPERATION TYPE	
-	1 stage
AB	2 stages
HEAD TYPE	
TC	Short head
TL	Long head

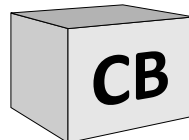


- A1 Siemens LMO14 control box
- M1 Electric motor for pump and blower wheel
- T1 Ignition transformer
- 5 Fastening screws for equipment plate
- 9 Electric switch board
- 15 Burner flange
- 16 Release knob
- 102 Heavy-oil pump
- 103B Air regulation
- 113 Air intake

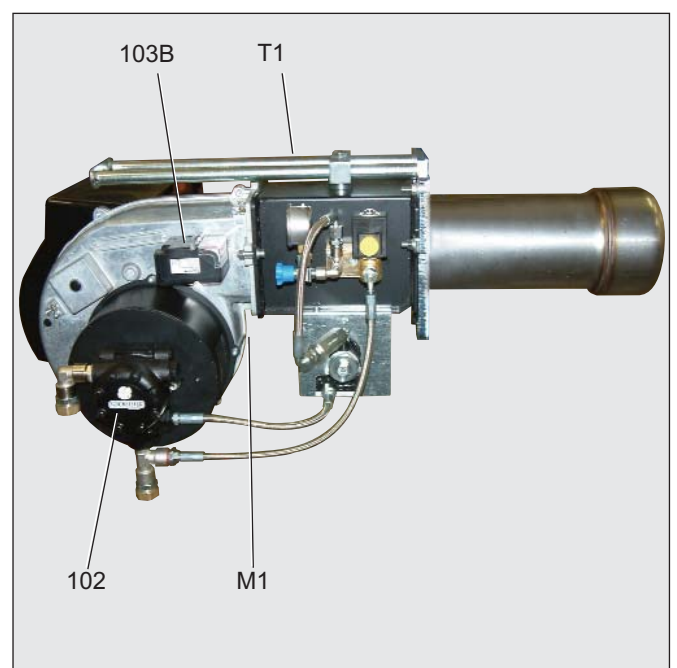
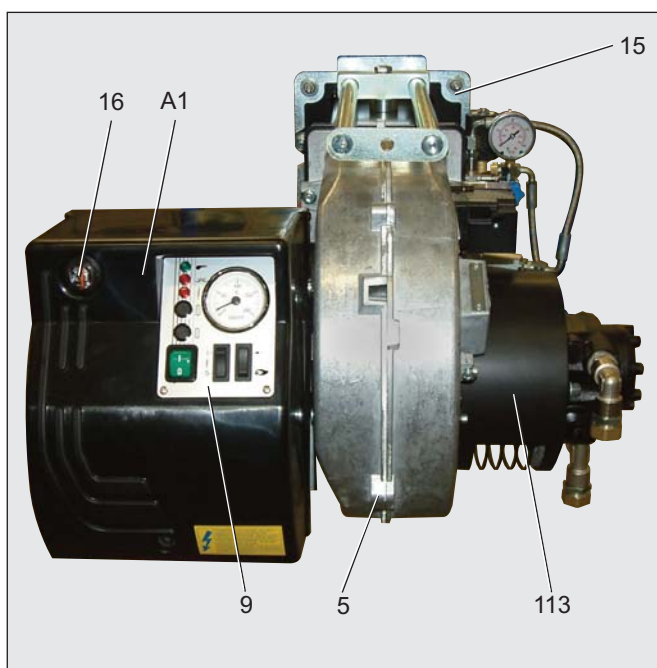
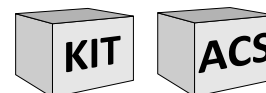
### Scope of delivery

CB: COMPLETE BURNER

- 1 bag including :
  - multilanguage technical manual.
  - filter and hoses.
  - nozzle and spanner.
  - screws, nuts and washer.



KIT & ACS delivered separately



## Function - General safety functions

### Operating function

- Switch-on the burner. When reaching the preset temperature on the working thermostat, and with boiler's thermostat closed, the control box starts the fan, the fuel pump and the ignition transformer. At the same time, the resistors are activated, to keep fuel temperature into the heater at a constant value.
- The motor starts, the igniter is switched on and the preventilation period of 25 seconds commences.
- During the preventilation period, the furnace is monitored for flame signals.
- At the end of the preventilation period, the fuel-oil solenoid valve opens and the burner starts.
- The igniter remains switched off while the burner is in operation.

### Controlled shutdown

- Boiler thermostat interrupts heat request.
- The fuel-oil solenoid valve closes and

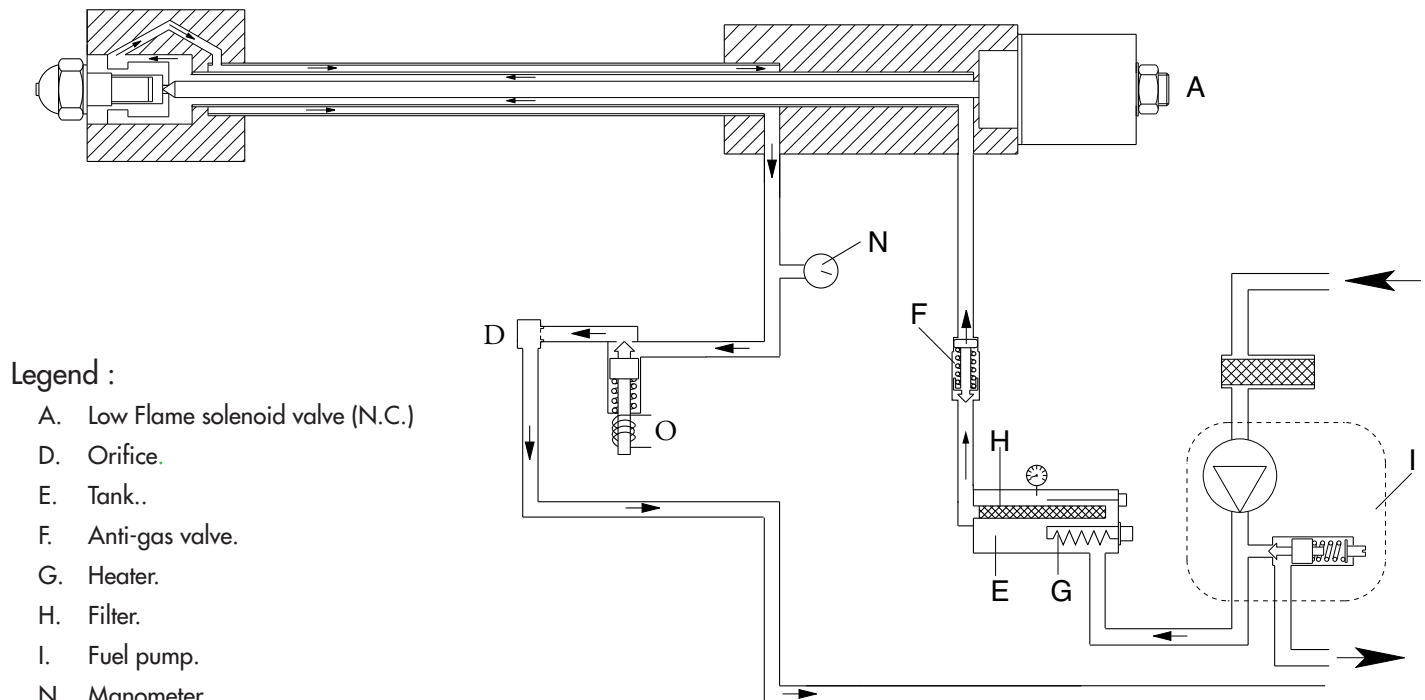
- the flame is extinguished.
- Burner motor switches off.
- Burner enters standby.

### Safety function

A safety shutdown occurs:

- if a flame signal is present during preventilation (parasitic flame monitoring).
- if no flame is produced within 5 seconds (safety time) of start-up (fuel authorisation).
- if no flame is produced after an unsuccessful restart attempt in the event of flame failure during operation.

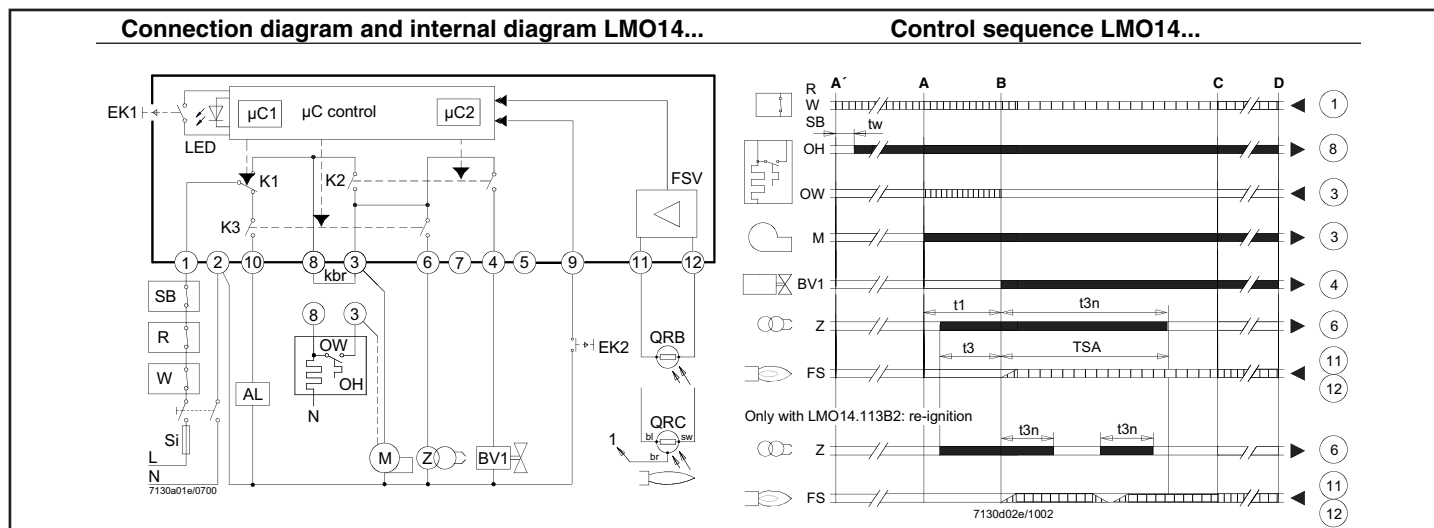
A safety shutdown is indicated by the malfunction lamp lighting up and it is then only possible to reenale the burner by pressing the reset button after the cause of the malfunction has been rectified. For further information, see the automatic combustion control unit description.



### Legend :

- A. Low Flame solenoid valve (N.C.)
- D. Orifice.
- E. Tank..
- F. Anti-gas valve.
- G. Heater.
- H. Filter.
- I. Fuel pump.
- N. Manometer.
- O. Solenoid valve (N.O.).
- N.C. = Norm. closed
- N.O. = Norm. open

## Function - Siemens LMO14 control and safety unit



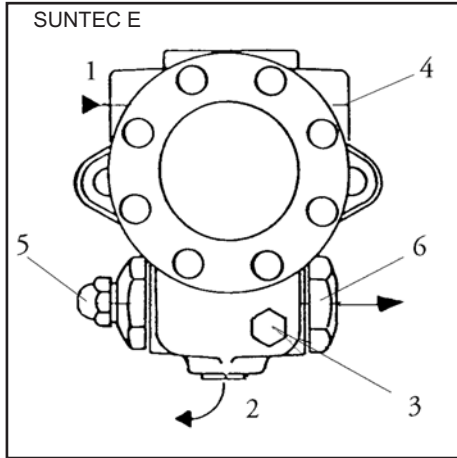
**!** Always disconnect the power supply before installing or removing the control unit. Do not attempt to open or carry out repairs on the control unit.

AL	Alarm device	QRB...	Photoresistive flame detector	$t1$	Prepurge time
BV...	Fuel valve	QRC...	Blue-flame detector	$t1'$	Purge time
EK1	Lockout reset button		bl = blue, br = brown, sw = black	$t3$	Preignition time
EK2	Remote lockout reset button	R	Control thermostat or pressurestat	$t3n$	Postignition time
FSV	Flame signal amplifier	SB	Safety limit thermostat	$t4$	Interval from flame signal to release of «BV2»
K...	Contacts of control relay	Si	External primary fuse	A'	Start of startup sequence with burners using an «OH»
kbr	Cable link (required only when no oil preheater is used)	W	Limit thermostat or pressure switch	A	Start of startup sequence with burners using no «OH»
LED	3-color signal lamp	Z	Ignition transformer	B	Time of flame establishment
M	Burner motor	TSA	Ignition safety time	C	Operating position
OW	Release contact of oil preheater	tw	Waiting time	D	Controlled shutdown by «R»
OH	Oil preheater				

Color code table for multicolor signal lamp (LED)

Status	Color code	Color
Waiting time «tw», other waiting states	○ .....	Off
Oil preheater on, waiting time «tw»	● .....	Yellow
Ignition phase, ignition controlled	● ○ ● ○ ● ○ ● ○ ● ○ ● ○ ● ○ ● ○ ● ○ ● ○	Flashing yellow
Operation, flame o.k.	□ .....	Green
Operation, flame not o.k.	□ ○ □ ○ □ ○ □ ○ □ ○ □ ○ □ ○ □ ○ □ ○ □ ○	Flashing green
Extraneous light on burner startup du bruleur	□ ▲ □ ▲ □ ▲ □ ▲ □ ▲ □ ▲ □ ▲ □ ▲ □ ▲ □ ▲ □ ▲	Green-red
Undervoltage	● ▲ ● ▲ ● ▲ ● ▲ ● ▲ ● ▲ ● ▲ ● ▲ ● ▲ ● ▲ ● ▲	Yellow-red
Fault, alarm	▲ .....	Red
Error code output (refer to «Error code table»)	▲ ○ ▲ ○ ▲ ○ ▲ ○ ▲ ○ ▲ ○ ▲ ○ ▲ ○ ▲ ○ ▲ ○ ▲ ○	Flashing red
Interface diagnostics	▲ ▲ ▲ ▲ ▲ ▲ ▲ ▲ ▲ ▲ ▲ ▲ ▲ ▲ ▲ ▲ ▲ ▲ ▲	Red flicker light
Legend:	..... Steady on      ▲ Red      □ Green ○ Off      ● Yellow	

## Function - Oil burner pump



- 1 suction intake connection.
- 2 return connection.
- 3 oil pressure gauge connection.
- 4 negative pressure gauge connection.
- 5 oil pressure regulator.
- 6 pressure connection

The heavy oil burner pump used is a self-priming gear pump, which must be connected as two-line pump via a bleed filter. There is an intake filter and an oil pressure regulator integrated in the pump. Pressure gauges for pressure measurements and negative pressure

measurements must be connected before the equipment is commissioned.

**NB:** before starting the burner, check that the return pipe is open. An eventual obstruction could damage the pump sealing device.

### TECHNICAL DATA

#### General

Mounting	Flange mounting according to EN 225.
Connection threads	Cylindrical according to ISO 228/1
Inlet and return	G 1/2"
Nozzle outlet	G 1/4"
Pressure gauge port	G 1/8"
Vacuum gauge port	G 1/2"
Valve function	Pressure regulating - no cut-off
Filter	Open area: 45 cm Opening size: 550 µm
Shaft	Ø 11mm according to EN 225.
By-pass plug	Inserted in return port for 2 pipe system; to be removed with a 3/16" Allen key for 1 pipe system.
Weight	4 kg

#### Hydraulic data

Nozzle pressure range	14 - 30 bar
Delivery pressure setting	20 bar
Operating viscosity	3 - 75 cSt
Oil temperature	0 - 130°C max. nella pompa
Inlet pressure	installation to light oil : 0,45 bars max. vacuum to prevent air separation from oil. installation to heavy oil : 3,5 bar max.
Return pressure	installation to light oil : 3,5 bar max. installation to heavy oil : 3,5 bar max.
Rated speed	3600 gpm max.
Torque (to 40 gpm)	0,3 N.m

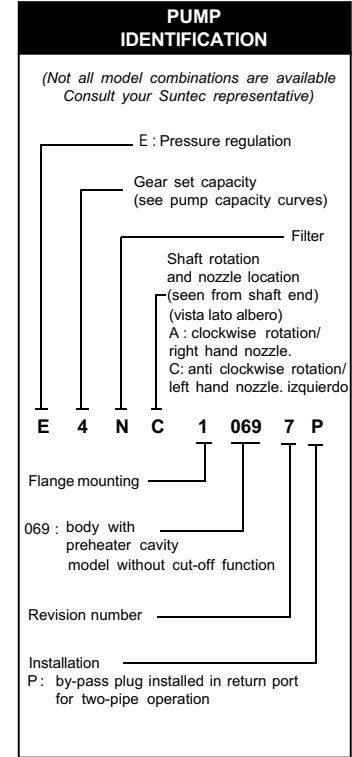
#### Choice of heater

Crtridge	Ø 12 mm
Fitting	in accordo con EN 50262
Rating	50-80 W

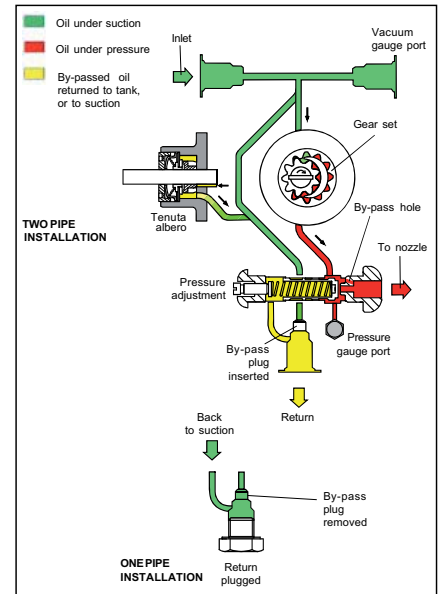
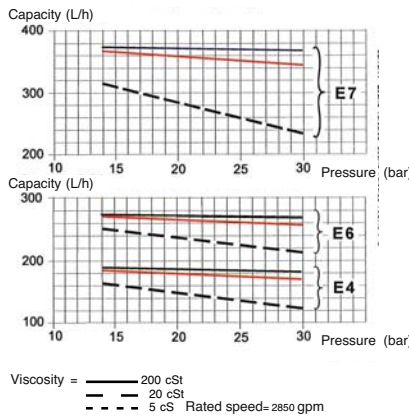
#### LINE Electrical supply

- BV... Fuel valve
- FS Flame signal
- M Burner motor
- OW Release contact of oil preheater
- W Control thermostat or pressurestat
- Z Ignition transformer

- 1 No voltage
- 2 Power supply on, no heat request
- 3 Heat request: pre-heater ON
- 4 Preventilation: motor ON, ignition ON
- 4' Parasitic flame monitoring
- 5 Burner start: solenoid valve OFF, flame production, safety time

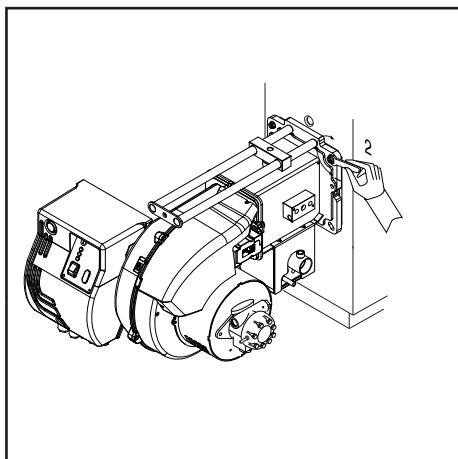
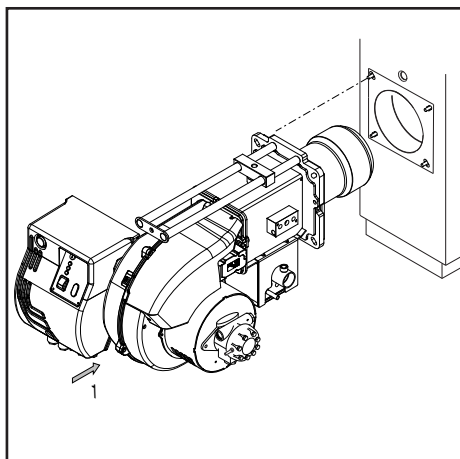


### Pump capacity



- 6 Flame present, post-ignition period
- 7 Burner operation
- 8 End of heat request, solenoid valve closes, burner stop
- 9 Standby

## Installation - Burner assembly



### Burner assembly

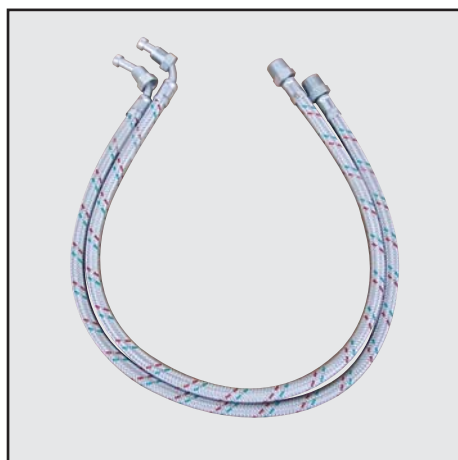
The burner is fixed by the flange and therefore to the boiler.

#### Installation:

- To fix the flange to the boiler with the screws.

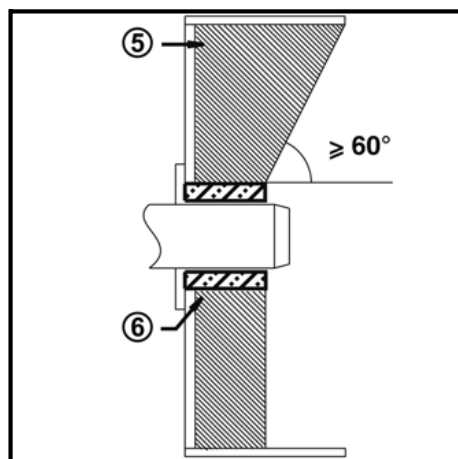
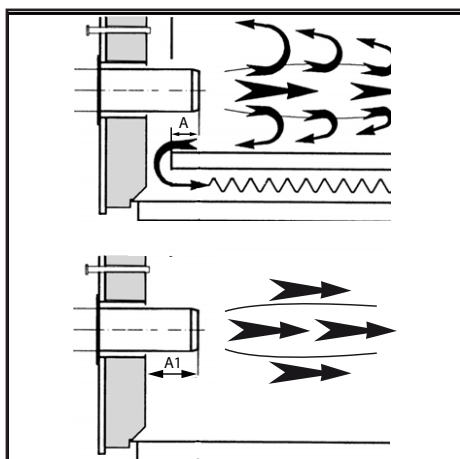
#### Removal:

- Loosen the screws.
- To slowly slide the the burner from the boiler.



### Oil connection

The filter must be located in such a way that the correct hose routing cannot be impaired. The hoses must not kink.



### Burner blast tube insertion depth and brickwork

Unless otherwise specified by the boiler manufacturer, heat generators without a cooled front wall require brickwork or insulation 5 as shown in the illustration. The brickwork must not protrude beyond the leading edge of the blast tube, and should have a minimum conical angle of 60°. Gap 6 must be filled with an elastic, non-combustible insulation material. For boilers with reverse firing, the minimum burner tube insertion depth A as specified in the boiler manufacturer's instructions must be observed.

On boilers the blast tube insertion depth should be observed as per the boiler manufacturer's instructions.

Reverse flame boiler :

A = 50-100 mm.

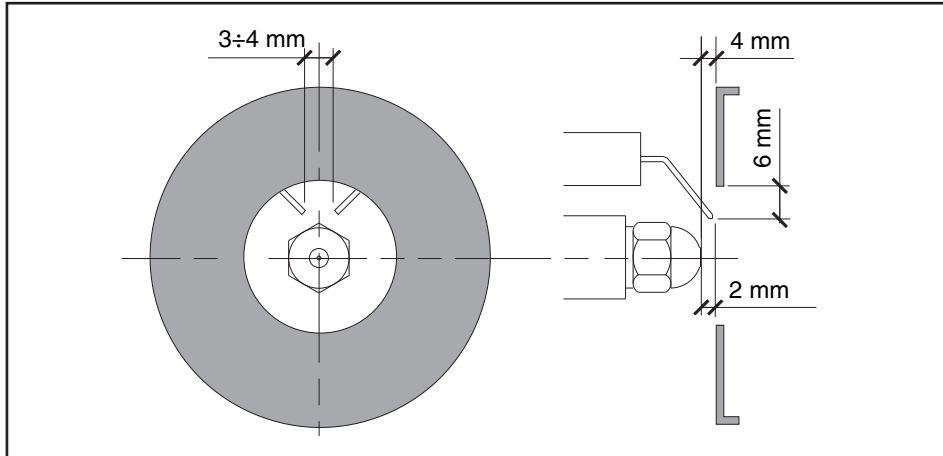
Three pass boilers :

A1 = 50-100 mm.

### Exhaust system

To avoid unfavourable noise emissions, right-angled connectors should not be used on the flue gas side of the boiler.

## Installation - Electrical connection - Checks before commissioning



### Position of electrodes

**Note:** Always check the position of electrodes after having replaced the nozzle (see illustration). A wrong position could cause ignition troubles.

### Electrical connection

The electrical installation and connection work must only be carried out by an authorised electrical specialist. All applicable rules and regulations must be observed. The electrical installation should include a type A circuit breaker.

**The applicable guidelines and directives must be observed, as well as the electrical circuit diagram supplied with the burner!**

- Check to ensure that the power supply voltage is as specified in the electric diagram and in data plate.
- Burner fuse: 5 A.

### Electrical connection (plug-in)

It must be possible to disconnect the burner from the mains using an omnipolar shutdown device complying with the standards in force. The burner and heat generator (boiler) are connected to the terminal block of the cabinet (fig.1).

### Connecting the gas train

Connect the gas train to the plugs on the burner (fig.2).

### The burners are produced with connections suitable for power supply 380-400 V three-phase.

The burners with electric motors of an output lower or equal to 3 kW can be adapted to 220-230 V (please follow the instructions on the backside); motors with higher output can only work 380-400 V three-phase.

In case of request of burners different from the above mentioned standard, it is recommended to make specific mention in the order.

### Instructions: how to adapt electric motors of an output lower or equal to 3 kW to 220-230 V power supply

It is possible to change the voltage of the burner by operating as follows:

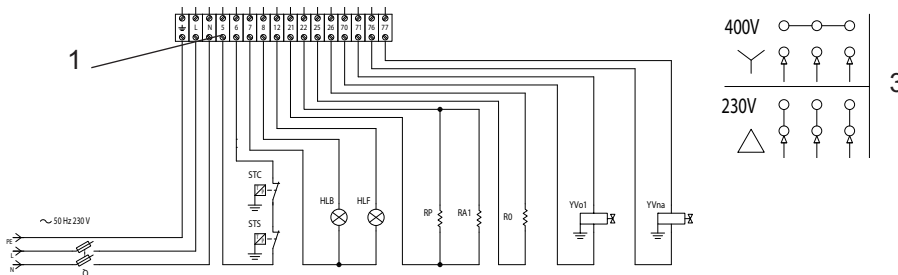
1. change the connection inside the

electric box of the motor, from star to delta (see picture 3);

2. change the setting of the thermal relay, referring to the absorption values indicated in the motor nameplate. If necessary, replace the thermal relay with another one of suitable scale.

This operation is not possible on motors above 3 kW.

For more information, please contact the Ecoflam staff.



### Checks before commissioning

The following must be checked before initial commissioning:

- That the burner is assembled in accordance with the instructions given here.
- That the burner is pre-set in accordance with the values in the adjustment table.
- Setting the combustion components.
- The heat generator must be ready for operation, and the operating regulations for the heat generator must be observed.
- All electrical connections must be correct.
- The heat generator and heating system

must be filled with water and the circulating pumps must be in operation.

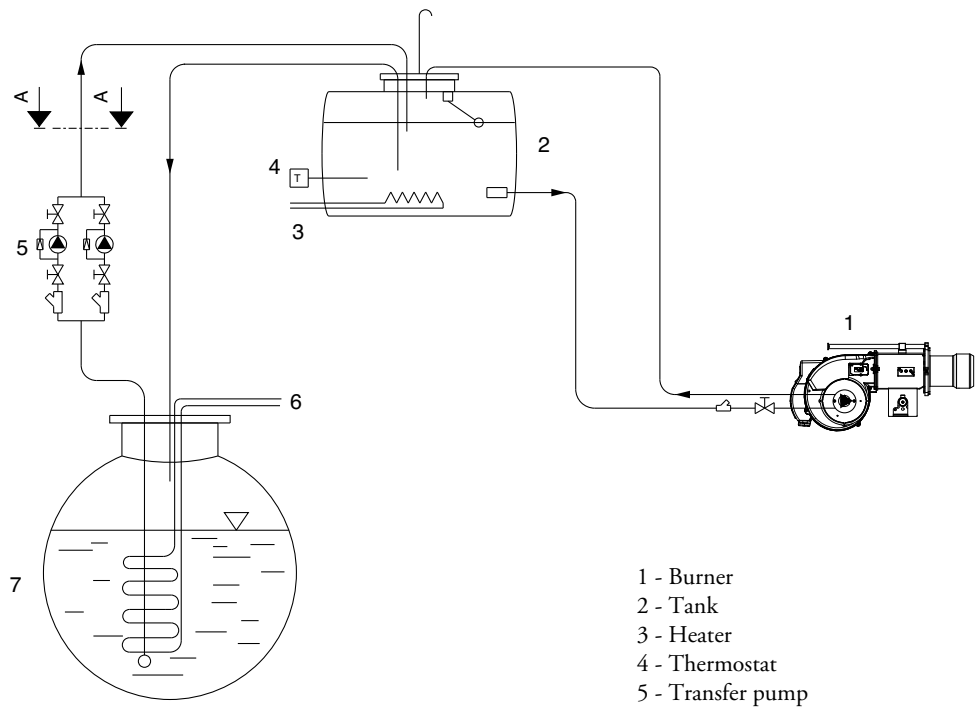
- The thermostats, pressure regulator, low water detectors and any other safety or limiting devices that might be fitted must be connected and operational.
- The exhaust gas duct must be unobstructed and the secondary air system, if available, must be operational.
- An adequate supply of fresh air must be guaranteed.
- The heat request must be available.
- Fuel tanks must be full.
- The fuel supply lines must be

assembled correctly, checked for leaks and bled.

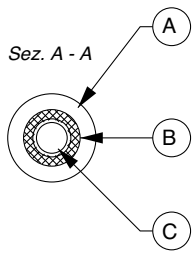
- A standard-compliant measuring point must be available, the exhaust gas duct up to the measuring point must be free of leaks to prevent anomalies in the measurement results.

# Installation - Heavy oil feeding and suction line

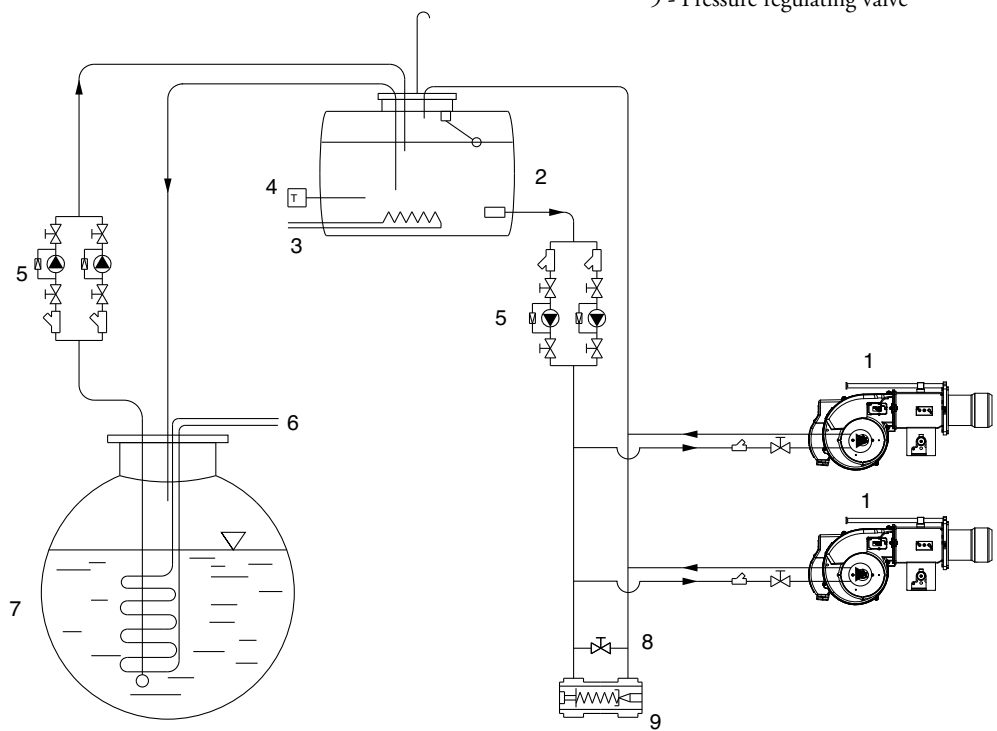
## HEAVY OIL FEED SYSTEM UP TO 15°E AT 50°C



- 1 - Burner
- 2 - Tank
- 3 - Heater
- 4 - Thermostat
- 5 - Transfer pump
- 6 - Header
- 7 - Tank
- 8 - By-pass
- 9 - Pressure regulating valve



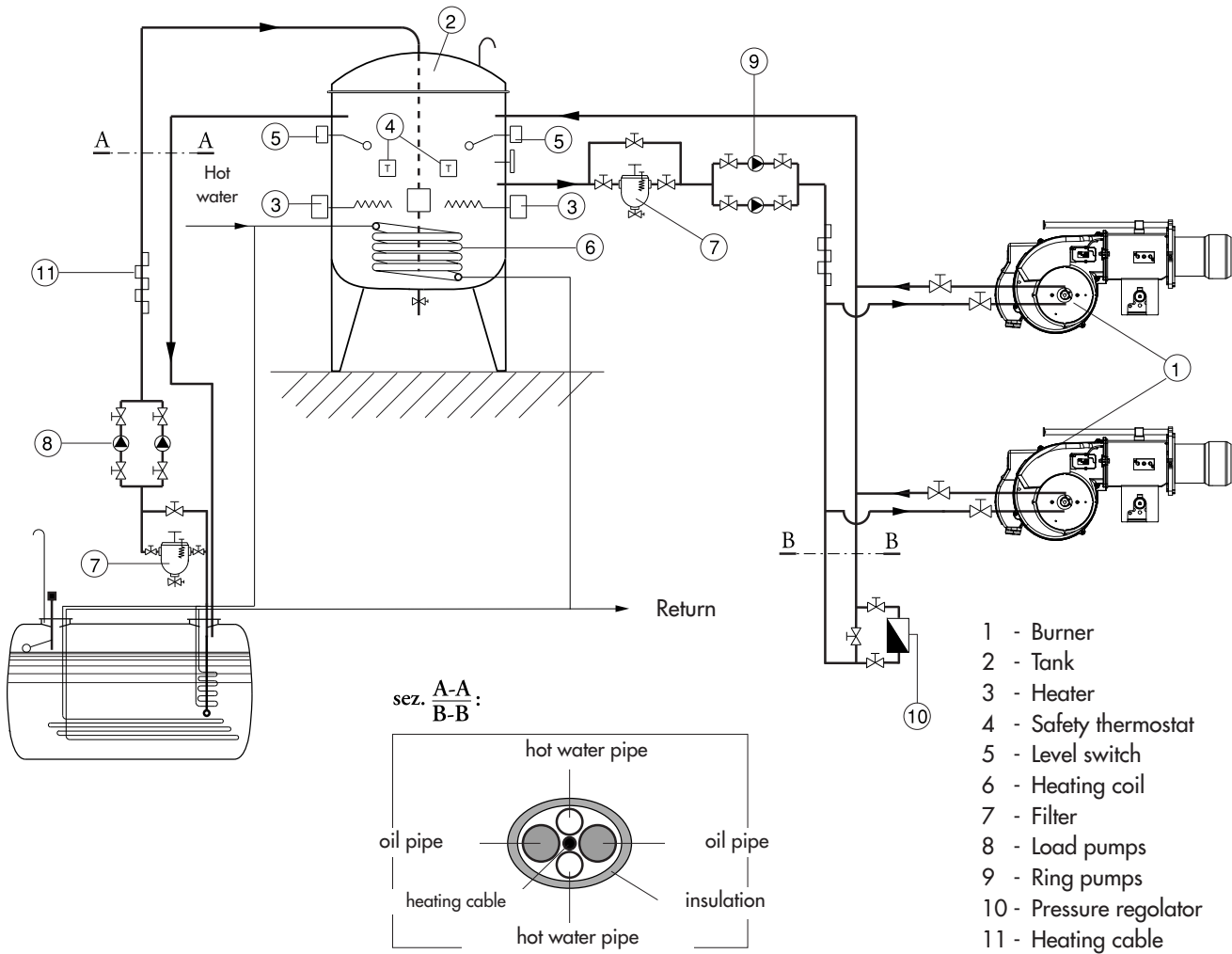
- A - Isolation gasket
- B - Heater
- C - Pipe heavy oil



**IMPORTANT:** All fuel pipings are heated (see section A-A of the picture)

## Installation - Heavy oil feeding and suction line

HEAVY OIL FEED SYSTEM UP TO 50°E AT 50°C



**IMPORTANT: All feed piping are heated (see sec. A-A)**

## Start up - Setting data table - Air regulation

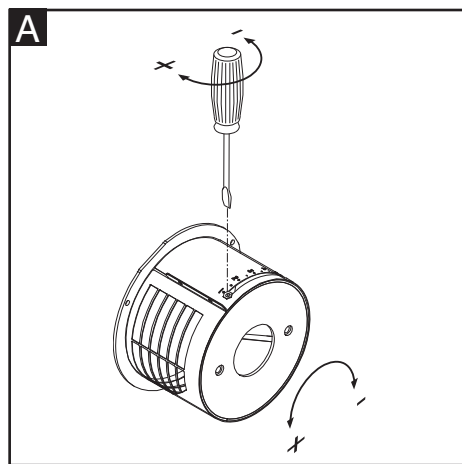
Maxflam 10							Maxflam 20						
burner output kW	pressure in combustion chamber mbar	oil output kg/h	nozzle 60° HO	pump pressure bar	firing head setting	air damper setting	burner output kW	pressure in combustion chamber mbar	oil output kg/h	nozzle 60° HO	pump pressure bar	firing head setting	air damper setting
68		6	1,00	23	1	2,20	108		9,5	1,50	23	1	3,50
91		8	1,25	23	1	2,80	142		12,5	2,00	23	2	4,50
108		9,5	1,50	23	1	3,50	179		15,8	2,50	23	2	5,50
136		12	2,00	21	2	4,50	227		20	3,00	23	3	8,00

Maxflam 30						
burner output kW	pressure in combustion chamber mbar	oil output kg/h	nozzle 60° HO	pump pressure bar	firing head setting	air damper setting
171	1,2	15	2,50	23	1	1,25
205	1,5	18	3,00	23	2	1,5
239	1,8	21	3,50	23	2	1,8
<b>274</b>	<b>2</b>	<b>24</b>	<b>4,00</b>	<b>23</b>	<b>3</b>	<b>2</b>
308	2,3	27	4,50	23	3	2,5
342	1	30	5,00	23	4	3

The settings above are **basic settings**. These adjustment values are normally suitable for commissioning the burner. These values have been determined in our test labs and are useful for the first

switch-on as final setting must be done using a combustion analyzer. Favourable combustion values can be achieved using the following nozzles:

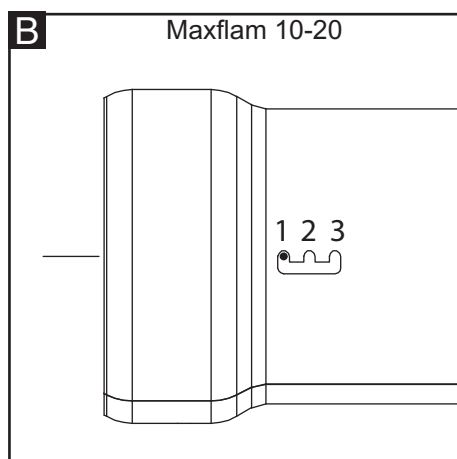
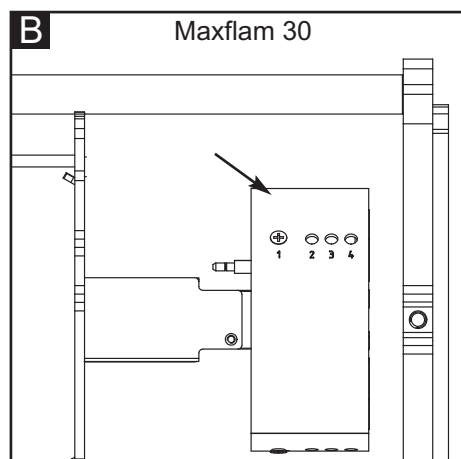
DANFOSS H+S 80°+60°  
DELANVAN W 60°  
STEINEN S 60°



### Adjusting the air (A).

To act on the screw in figure:

- Turn the air damper until you reach the requested value.



### Firing head setting (B).

Slide the burner out off mounting flange. Modify air cylinder position (1,2,3,4) as shown in fig.B using a screwdriver. Slide again the burner in the mounting flange end fix to the boiler.

## Start up - Adjusting burner output - Oil pressure regulation

**! Risk of air blast!** Continuously check CO, CO<sub>2</sub> and soot emissions when adjusting the output of the burner. Optimise combustion values in the event of CO formation. CO must not exceed 50 ppm.

### Burner start

Before starting the burner, draw oil in until the filter is completely filled.

Then start the burner by switching on the boiler regulator. Open the bleed screw on the oil filter to allow the oil line to bleed fully during the prevention phase. The negative pressure must not fall below 0.4 bar. Close the bleed screw when the filter is completely filled with oil and oil is flowing out without bubbles.

### Burner output adjustment

Use the pressure regulator to adjust the oil pressure in accordance with the burner output desired. Monitor the combustion values continuously as you do so (CO, CO<sub>2</sub>, soot test). Adjust the airflow gradually if necessary.

### Optimising combustion values

If the combustion values are not satisfactory modify the position of the combustion head. By doing this the burner ignition conditions and the combustion values change. Compensate for the change in airflow if necessary by adjusting the air flap position.

**Note: observe the minimum required flue gas temperature specified by the boiler manufacturer and the requirements demanded of flue gas ducts for avoiding condensation.**

### Oil pressure regulation

The oil pressure, and therefore burner

output, is adjusted using oil pressure regulator 5 in the pump.

Turn to

- right: to increase pressure

- left: to reduce pressure

Connect a pressure gauge at point 3 (with R1/8" thread).

### Checking negative pressure

The vacuum meter for checking negative pressure must be connected to point 4, R1/8". Maximum permissible negative pressure is 0.4 bar. At higher negative pressures, the fuel oil gasifies, which causes scraping noises in the pump and ultimately leads to pump damage.

### Adjustment of fuel thermostats

The working resistor thermostat must be set to 100°-140°C, while the safety thermostat is preset. Said adjustments can be slightly modified following the type of fuel and particular uses.

A - Working thermostat (100°-140° C).

B - Firing head thermostat (120°-140° C).

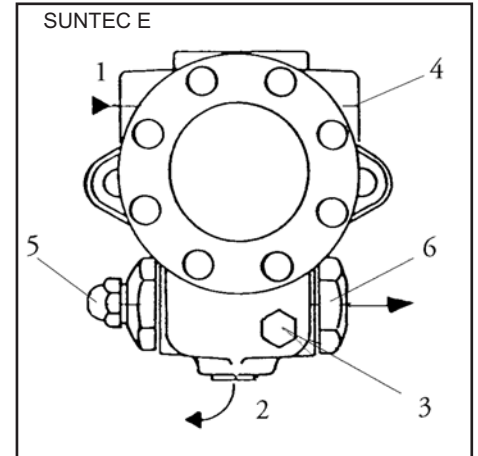
### Operating check

Flame monitoring must be checked for safety as part of initial commissioning and also after servicing or if the system has been out of operation for any significant period of time.

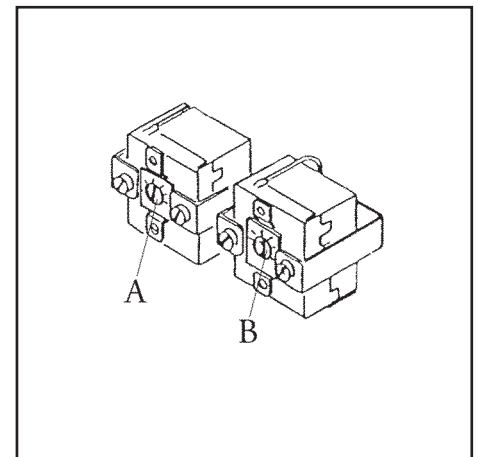
- Starting attempt with flame monitor unlit: the automatic combustion control unit must switch to malfunction at the end of

the safety time

- Start with flame monitor lit: the automatic combustion control unit must switch to malfunction after 5 seconds of prevention
- Normal start-up: flame monitor goes out when burner in operation; the automatic combustion control unit must switch to malfunction after the restart and end of the safety time



- 1 suction intake connection.
- 2 return connection.
- 3 oil pressure gauge connection.
- 4 negative pressure gauge connection.
- 5 oil pressure regulator.
- 6 pressure connection



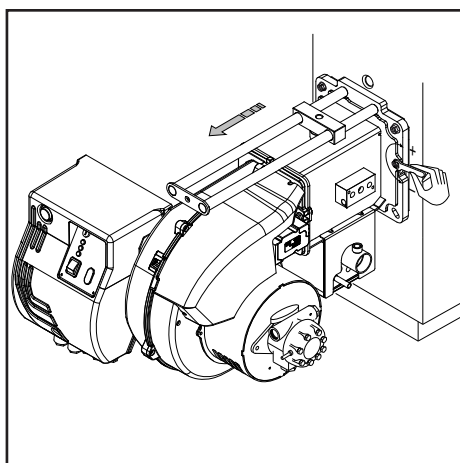
<b>Recording commissioning data</b>		
Test	n°1	n°2
Date		
Model		
Type oil		
Oil calorific value		
Burner output	min	kW
Burner output	max	kW
Flue gas temperature		C°
Air temperature		C°
CO <sub>2</sub>		%
CO		ppm
NOx		ppm
Performance		%
Corrective action		
Operator name		
Company		

## Service - Maintenance

Burner and boiler servicing must only be carried out by qualified personell. The system operator is advised to take out a service contract to guarantee regular servicing.



- Disconnect the electrical supply before carrying out any maintenance or cleaning work.
- The blast tube and firing head may be hot.



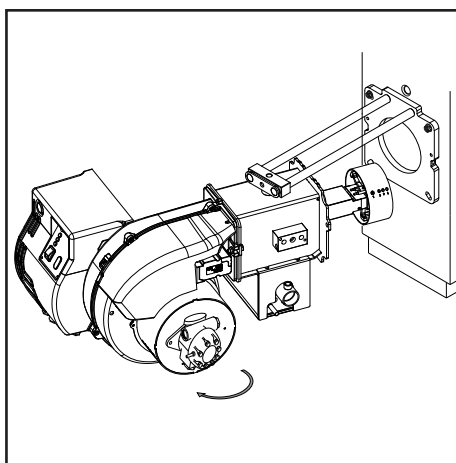
### Checking the exhaust gas temperature

- Check the flue gas temperature at regular intervals.
- Clean the boiler if the flue gas temperature is more than 30°C above the value measured at the time of commissioning.
- To simplify the check, use a flue gas temperature indicator.

### Burner maintenance positions

- After removing the screws pull the burner out of the flange and turn to maintenance (as show in picture) to :

nozzle change  
electrodes change and setting  
combustion disc cleaning/change  
air cylinder setting



Once the maintenance, cleaning or checking operations have been completed, reassemble the cover and all the safety and protection devices of the burner.

### Maintenance on the burner

- Clean fan and housing and check for damage.
- Check and clean the combustion head.
- Replace oil nozzle.
- Check ignition electrodes, readjust or replace as necessary.
- Fit combustion head. Observe adjustment dimensions.
- Fit burner.
- Start burner, check flue gas data, correct burner settings if necessary.
- Check oil supply components (tubes, pumps, oil feed tube) and their connections for leaks or signs of wear, replace if necessary.
- Check electrical connections and connection cables for damage, replace if necessary.
- Check pump filter and clean if necessary.

### Cleaning of filter on the preheater

Removing of the filter:

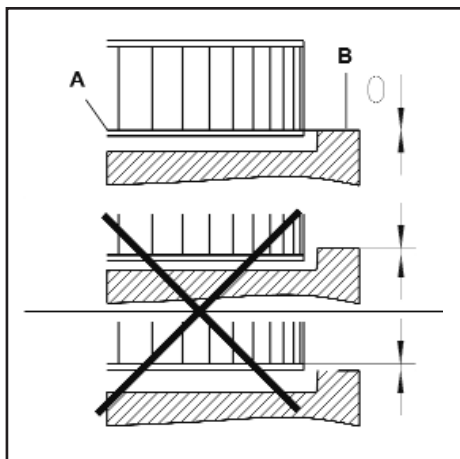
- 1 Switch-off the burner and make cold to leave.
- 2 Take off oil thermometer bulb C.
- 3 Loosen screw B and drain part of the fuel from the heater, until the fuel level drop below the filter.
- 4 Unscrew and pull out the stem filter A from its seat.
- 5 Clean the filter and reassemble the parts as shown by the picture, then fit it in its own seat.

It is advisable to replace all filter and valve gaskets whenever they are removed.

**Note: that when the burner is working the heater has a pressure of abt. 23 bar, and that it becomes very dangerous to carry out said operations with the burner running.**

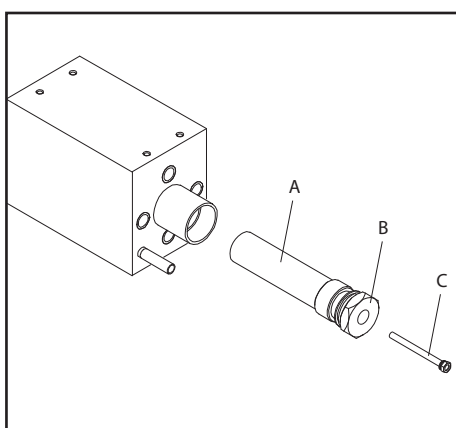
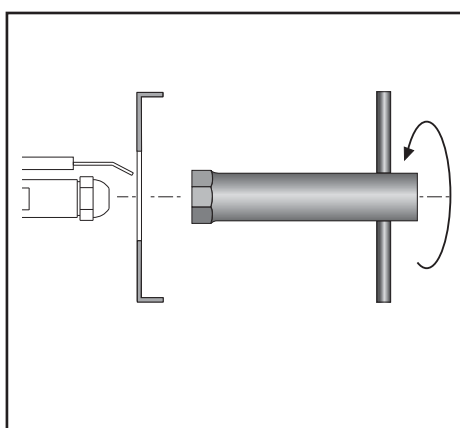
### Nozzle and cleaning replacement

Use only the suitable box wrench provided for this operation to remove the nozzle, taking care to not damage the electrodes. Fit the new nozzle by the same care. Note: Always check the position of electrodes after having replaced the nozzle (see illustration). A wrong position could cause ignition troubles.



### Fan assembly

Observe the positioning diagram below when replacing the motor and blower wheel. The inside flange **A** of the blower wheel must be fitted at the same level as the equipment plate **B**. Insert a straight edge between the wing of the blower wheel and set **A** and **B** to the same height, tighten the set screw on the blower wheel.



## Service - Troubleshooting

### Fault diagnosis and repair

In the event of a malfunction, first check that the prerequisites for correct operation are fulfilled:

1. Is the system connected to the power supply?
2. Is there oil in the tank?
3. Are all shut-off valves open?
4. Are all control and safety devices, such as the boiler thermostat, low water level detector, limit switch, etc. adjusted correctly?

If the malfunction persists, use the following table.

It is not permitted to repair any

components relevant to safety.



These components must be replaced by parts with the same order number.



**Only use original spare parts.**



**In the event the burner stops, in order to prevent damage to the installation, do not unblock the burner more than twice in a row. If the burner locks for a third time, contact the customer service.**

### NB: after each operation:

- under normal operating conditions (doors closed, hood fitted, etc.), check combustion and check the individual lines for leaks.
- Record the results in the relevant documents.

Error code table		
Red blink code of signal lamp (LED)	«AL» at term. 10	Possible cause
2 blinks	on	No establishment of flame at the end of «TSA» - Faulty or soiled fuel valves - Faulty or soiled flame detector - Poor adjustment of burner, no fuel - Faulty ignition equipment
3 blinks	on	Free
4 blinks	on	Extraneous light on burner startup
5 blinks	on	Free
6 blinks	on	Free
7 blinks	on	Too many losses of flame during operation (limitation of the number of repetitions)- Faulty or soiled fuel valves. - Faulty or soiled flame detector - Poor adjustment of burner.
8 blinks	on	Time supervision oil preheater - Oil preheater failed 5 times during prepurging
9 blinks	on	Free
10 blinks	off on	Wiring fault or internal fault, output contacts, other faults. 3 times temporary fault of the output contacts

## Contenuti generali - Indice - avvertenze generali

<b>Panoramica</b>	Dichiarazione di conformità	3
	Dati tecnici	4
	Curve di lavoro	5
	Dimensioni d'ingombro	6
<b>Contenuti generali</b>	Indice	20
	Avvertenze generali	20
	Descrizione del bruciatore	21
<b>Funzione</b>	Funzioni generali di sicurezza	22
	Apparecchio di comando e controllo Siemens LMO14	23
	Pompa del bruciatore	24
<b>Installazione</b>	Montaggio del bruciatore	25
	Connessione elettrica	26
	Controlli da eseguire prima della messa in funzione	26
	Linea di alimentazione del combustibile	27
<b>Messa in funzione</b>	Dati di configurazione - regolazione dell'aria	29
	Regolazione del bruciatore	30
	Regolazione pressione del gasolio	30
<b>Assistenza</b>	Manutenzione	31
	Possibili inconvenienti	32
<b>Panoramica</b>	Schemi elettrici	59-61
	Parti di ricambio	62-65

### Avvertenze importanti

I bruciatori Ecoflam sono stati progettati e costruiti nel rispetto delle normative e direttive correnti.

**Tutti i bruciatori rispondono alle normative sulla sicurezza e sul risparmio energetico nel limite del campo di lavoro dichiarato.**



**Il bruciatore non deve funzionare fuori del campo di lavoro.**



La qualità del prodotto è garantita dal sistema di certificazione in base alla norma ISO 9001:2008.

I bruciatori MAXFLAM sono progettati per la combustione di olio pesante, con basse emissioni inquinanti. I bruciatori sono conformi alla norma EN 267.

**Montaggio, messa in funzione e manutenzione devono essere eseguiti esclusivamente da personale tecnico autorizzato, nel rispetto delle direttive e delle prescrizioni in vigore.**



### Descrizione del bruciatore

Il bruciatore MAXFLAM è monostadio, a funzionamento completamente automatico in esecuzione monoblocco. La geometria della testa di combustione permette di ottenere bassi livelli di NOx e di incombusti, massimizzando quindi il rendimento del generatore. Le emissioni possono essere diverse da quelle riscontrate nel laboratorio di prova in quanto dipendono molto dal generatore sul quale il bruciatore è installato.

L'installatore deve rispettare le normative vigenti. Per esempio sono da evitare locali con atmosfere pericolose o non ventilate.

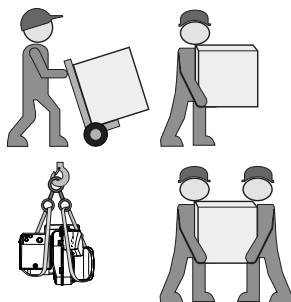
### Imballo e movimentazione

Movimentare il bruciatore ancora imballato con un carrello o un elevatore facendo attenzione a non farlo cadere tenendosi a non più di 20 cm da terra. Dopo aver tolto l'imballo, controllare che il contenuto sia integro e corrisponda al prodotto ordinato. In caso di dubbi, contattare il produttore.



**L'installazione del bruciatore deve essere effettuata da personale abilitato.**

Se le dimensioni e il peso non consentono un sollevamento manuale, farsi aiutare da un altro operatore, od utilizzare un



sollevatore imbracando il bruciatore con delle fasce se non disponibili i golfari.



Usare gli accessori in dotazione (flangia, guarnizione, perni e dadi) per installare il bruciatore alla

caldaia facendo attenzione a non danneggiare la guarnizione isolante.

### Si esclude qualsivoglia responsabilità per eventuali danni derivanti dalle seguenti cause:

- utilizzo non conforme.
- montaggio difettoso e/o riparazione a cura dell'acquirente o terzi, ivi inclusa l'applicazione di elementi di origine estranea.

### Consegna e istruzioni per l'uso

L'installatore dell'impianto di combustione è tenuto a consegnare al gestore dell'impianto, al più tardi all'atto della consegna dello stesso, le istruzioni per l'uso e la manutenzione. Queste istruzioni devono essere appese nel locale di installazione del generatore termico in modo ben visibile. Devono essere indicati l'indirizzo ed il numero telefonico del punto di assistenza più vicino.

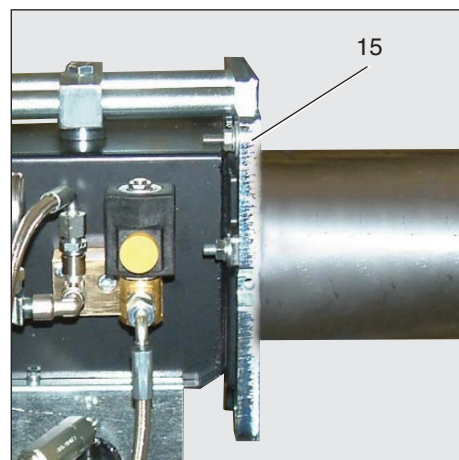
### Avvertenza per il gestore

L'impianto dev'essere controllato almeno una volta l'anno da un tecnico specializzato. Al fine di garantire un'esecuzione regolare, si suggerisce di stipulare un contratto per la manutenzione dell'impianto.

## Contenuti generali - Descrizione del bruciatore

### MAXFLAM 30 - TC

<b>NOME</b>	
MAXFLAM	
<b>MODELLO</b>	
MAXFLAM 30	
<b>TIPO DI FUNZIONAMENTO</b>	
-	1 stadio
AB	2 stadi
<b>LUNGHEZZA TESTA</b>	
TC	Short head
TL	Long head



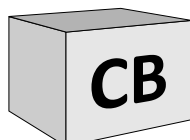
- A1 Siemens LMO14 programmatore di comando e sicurezza
- M1 Motore elettrico per pompa e ventola
- T1 Trasformatore d'accensione
- 5 Viti di fissaggio piastra
- 9 Pannello elettrico
- 15 Flangia bruciatore
- 16 Pulsante di sblocco
- 102 Pompa olio
- 103B Regolazione dell'aria
- 113 Cuffia aria

### Imballaggio

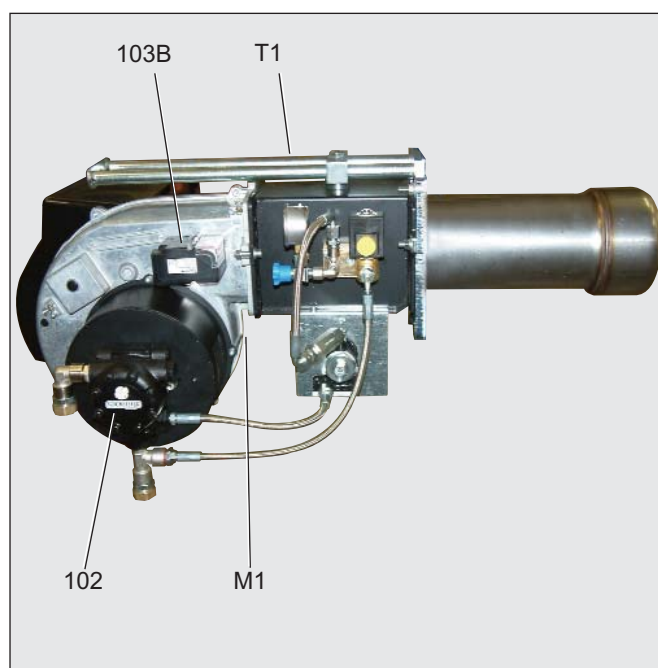
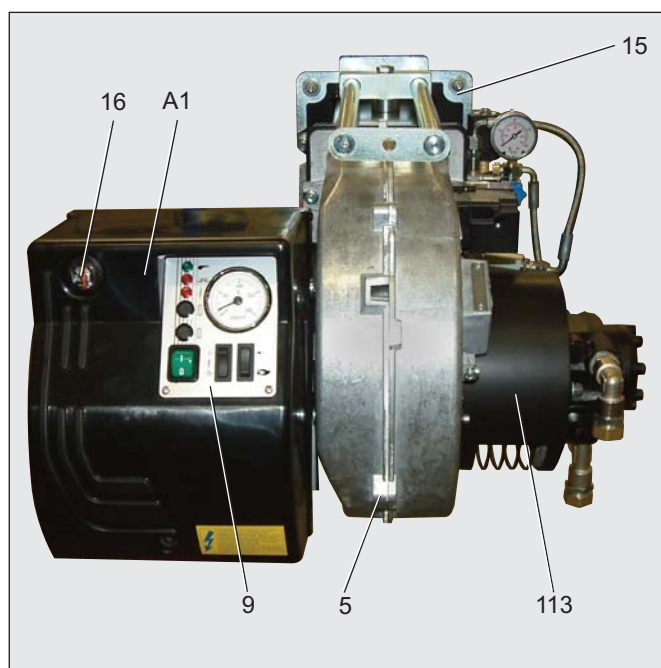
CB: BRUCIATORE COMPLETO

- 1 sacchetto :

- manuale tecnico in multilingue.
- filtro e tubi flessibili.
- ugello e chiave per ugello.
- viti, dadi e rosette.



KIT & ACS ordinabili e consegnati separatamente



## Funzione - Funzioni generali di sicurezza

### Funzione di esercizio

- Dare tensione all'impianto. Al raggiungimento della temperatura impostata sul termostato di lavoro, e con i contatti caldaia chiusi, l'apparecchiatura di controllo avvia il ventilatore, la pompa del combustibile ed il trasformatore di accensione. Nello stesso tempo, vengono attivate le resistenze che servono a mantenere ad un valore costante la temperatura del combustibile nel barilotto.

- Il motore si avvia, l'accensione si inserisce e si avvia il tempo di preventilazione di 25 sec.

- Durante la preventilazione, viene controllata la presenza della fiamma segnale sul focolare.

- Al termine della preventilazione, si aprono le elettrovalvole del olio e il bruciatore si avvia.

- Il funzionamento del bruciatore disinserisce l'accensione.

### Disinserimento normale

- Il termostato della caldaia interrompe

la richiesta di calore.

- L'elettrovalvola del olio si chiude e la fiamma si spegne.

- Il motore del bruciatore si spegne

- Il bruciatore è pronto al funzionamento.

### Funzione di sicurezza

Uno spegnimento a causa di possibili disturbi avviene:

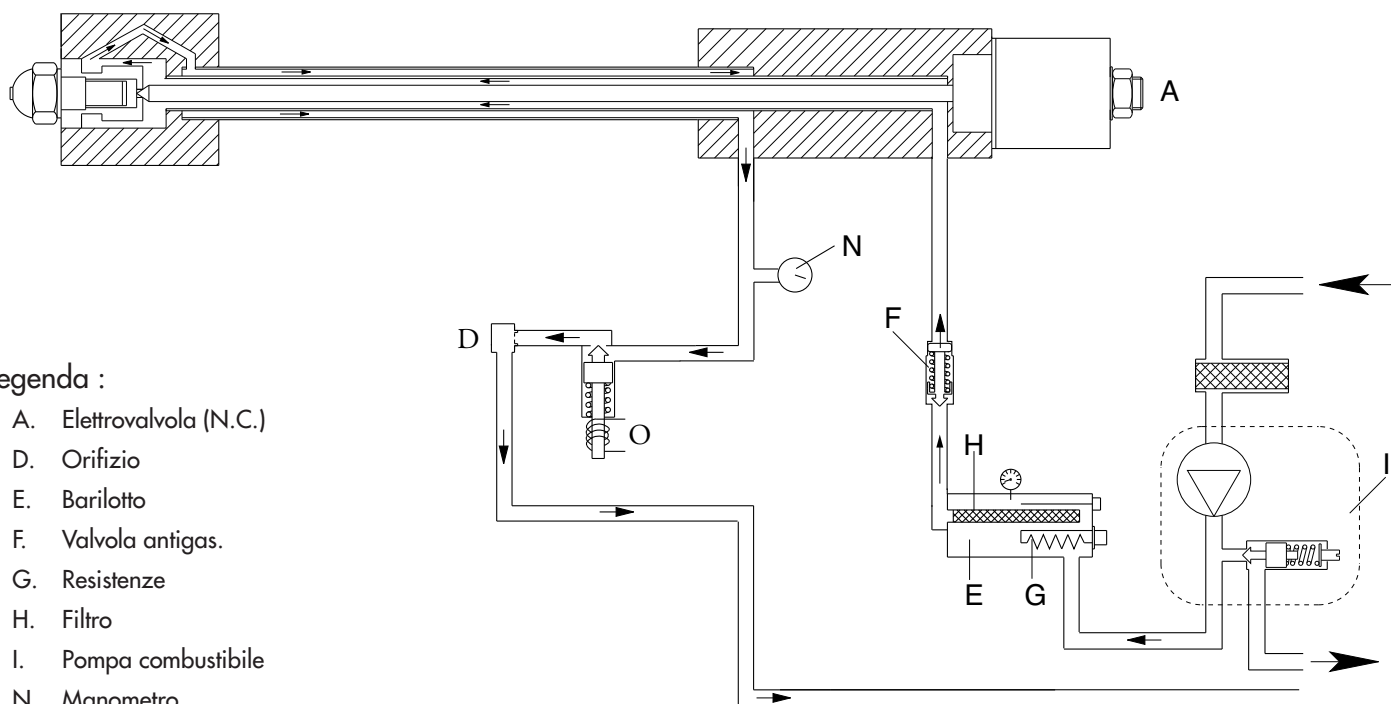
- se durante la preventilazione è presente una fiamma-segnale (monitoraggio luce esterna);

- se all'accensione (consenso al combustibile) dopo 5 sec. (tempo di sicurezza) non si è accesa nessuna fiamma;

- se, in caso di spegnimento della fiamma quando l'impianto è in funzione, dopo un infruttuoso tentativo di riavvio non si genera alcuna fiamma.

Uno spegnimento in presenza di eventuali anomalie viene segnalato mediante accensione della lampadina di segnalazione guasti e può essere nuovamente resettato non appena

eliminata la causa del malfunzionamento e dopo l'azionamento del pulsante di sblocco.

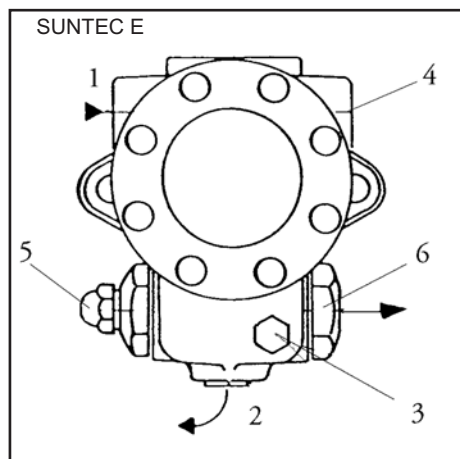


### Legenda :

- A. Elettrovalvola (N.C.)
- D. Orifizio
- E. Barilotto
- F. Valvola antigas.
- G. Resistenze
- H. Filtro
- I. Pompa combustibile
- N. Manometro
- O. Elettrovalvola (N.O.)
- N.C. = Norm. chiusa
- N.O. = Norm. aperta



## Funzione - Pompa del bruciatore



- 1 allacciamento aspirazione.
- 2 allacciamento di ritorno.
- 3 allacciamento manometro olio.
- 4 allacciamento manometro depressione.
- 5 regolazione della pressione olio.
- 6 allacciamento pressione.

La pompa utilizzata nei bruciatori di olio è una pompa ad ingranaggi autoadescante, che deve essere collegata con sistema bitubo; nella tubazione d'aspirazione inserire il filtro. Nella pompa sono incorporati un filtro d'aspirazione ed un regolatore di pressione del olio.

Prima della messa in funzione dell'apparecchio collegare i manometri per le misurazioni della pressione e della depressione.

NB: prima di avviare il bruciatore, controllare che il ritorno sia aperto. Un'eventuale ostruzione può causare danni alla guarnizione della pompa.

### DATI TECNICI

#### Generalità

Montaggio	a flangia conforme agli standard EN 225.
Attacchi	cilindrici in accordo con ISO228/1
Entrata e ritorno	G 1/2"
Uscita all'ugello	G 1/4"
Attacco manometro pressione	G 1/8"
Attacco vuotometro	G 1/2"
Funzione della valvola	regolazione della pressione - no taglio
Filtro	superficie utile: 45 cm grado di filtraggio: 550 µm
Albero	Ø 11mm in accordo con standard EN 225.
Grano di By-pass	Inserito nel foro di ritorno per installazioni a 2 tubi; da togliere con chiave tipo Allen 3/16" per installazione monotubo.
Peso	4 kg

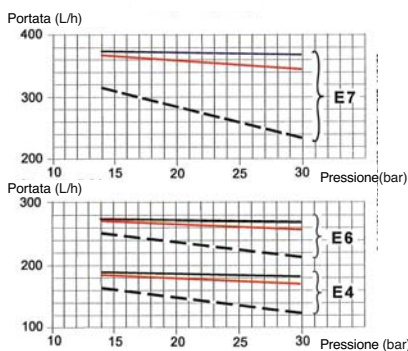
#### Dati idraulici

Campo di pressione all'ugello	14 - 30 bar
Taratura di fabbrica	20 bar
Campo viscosità	3 - 75 cSt
Temperatura olio	0 - 130°C max. nella pompa
Pressione entrata	installazione a gasolio: 0,45 bar max. vuoto per evitare la separazione dell'aria dall'olio installazione a nafta: 3,5 bar max.
Pressione ritorno	installazione a gasolio: 3,5 bar max. installazione a nafta: 3,5 bar max.
Velocità	3600 gpm max.
Coppia (a 40 gpm)	0,3 N.m

#### Sceita del riscaldatore

Cartuccia	Ø 12 mm
Raccordo di collegamento	in accordo con EN 50262
Potenza	50-80 W

#### Portata della pompa

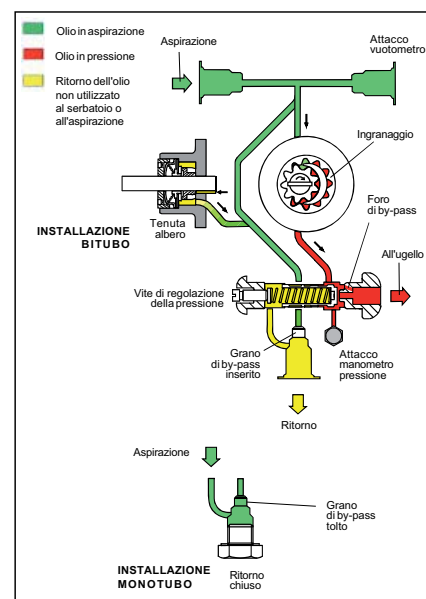
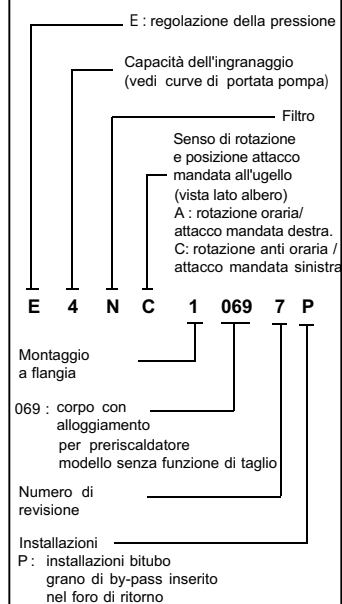


Viscosità = ——— 200 cSt  
 - - - - - 20 cSt  
 - - - - - 5 cSt Velocità = 2850 gpm

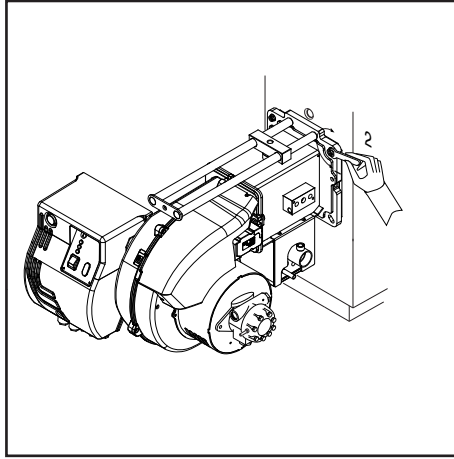
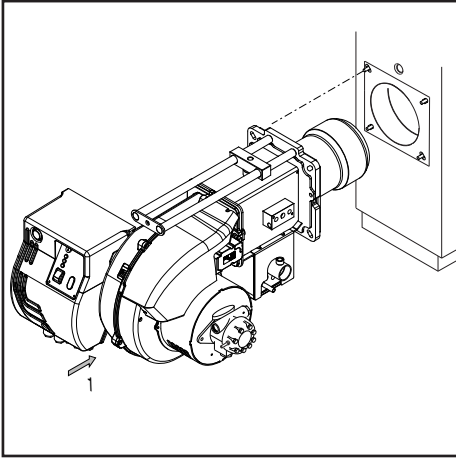
Le caratteristiche indicate tengono conto di un margine di usura. Non aumentare le misure della pompa quando si sceglie la capacità dell'ingranaggio.

#### IDENTIFICAZIONE DELLA POMPA

(Non tutte le combinazioni sono disponibili. Contattare Suntec).



## Installazione - Montaggio del bruciatore



### Montaggio del bruciatore

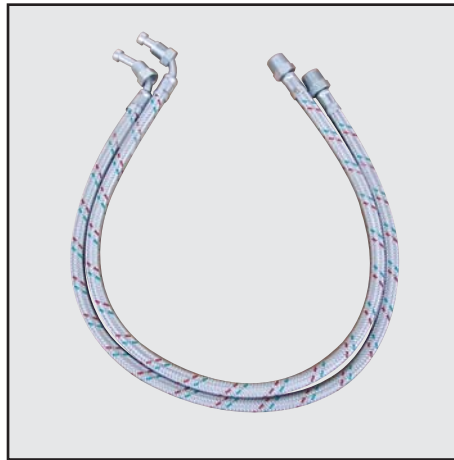
Il bruciatore viene fissato con la flangia di attacco alla caldaia, in tal modo la camera di combustione viene chiusa a tenuta stagna.

### Montaggio:

- Fissare la flangia di attacco alla caldaia con le viti .

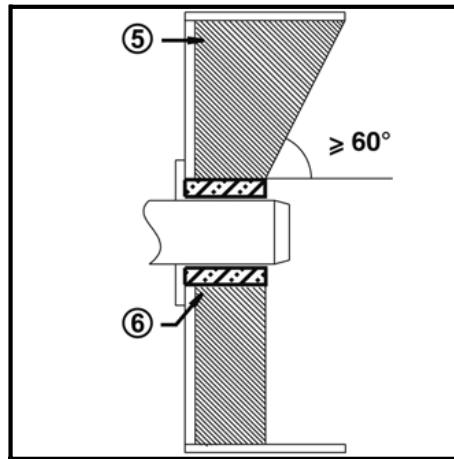
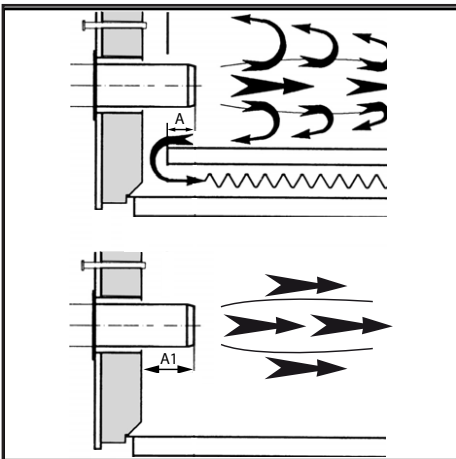
### Smontaggio:

- Allentare le viti.
- Estrarre lentamente il bruciatore dalla caldaia.



### Allacciamento dell'olio

Il filtro deve essere montato in modo tale che sia garantita una corretta guida del tubo flessibile.  
I tubi flessibili non devono essere piegati.



### Profondità di montaggio del bocchaglio del bruciatore e rivestimento refrattario

Per i generatori senza parete anteriore raffreddata e in assenza di indicazioni contrarie da parte del costruttore della caldaia, è necessario eseguire un rivestimento in mattoni o l'isolamento secondo la figura (5) a lato.

Il rivestimento in mattoni non deve sporgere oltre il bordo anteriore del bocchaglio e deve terminare con una conicità massima di 60°. Lo spazio d'aria (6) dev'essere riempito con un materiale isolante elastico, non infiammabile.

Per le caldaie deve essere rispettata la profondità di penetrazione del bocchaglio, in conformità con le indicazioni fornite dal costruttore della caldaia stessa.

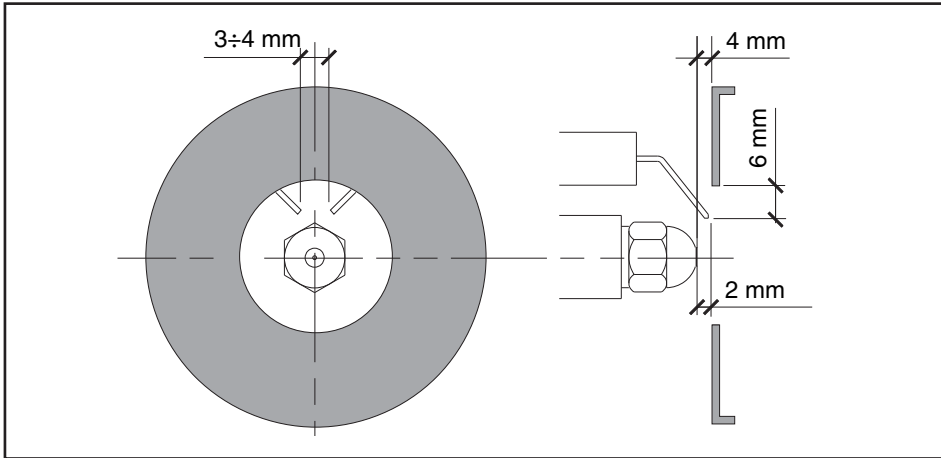
Caldaie ad inversione di fiamma :  
A = 50-100 mm.

Caldaie a tre giri di fumo :  
A1 = 50-100 mm.

### Condotto dei fumi

Al fine di evitare rumorosità indesiderate si raccomanda di evitare l'utilizzo di raccordi ad angolo retto al momento del collegamento della caldaia al camino.

## Installazione - Connessione elettrica - Controlli da eseguire prima della messa in funzione



### Posizione elettrodi

NB: verificare sempre la posizione degli elettrodi dopo il montaggio dell'ugello (vedi figura). Una posizione errata può comportare problemi di accensione.

### Allacciamento elettrico

L'impianto elettrico e i lavori di allacciamento devono essere eseguiti esclusivamente da personale specializzato autorizzato.

A tal proposito devono essere rispettate le normative e le direttive vigenti. L'impianto d'alimentazione dovrà essere dotato di un interruttore differenziale di tipo A.

**Rispettare obbligatoriamente le prescrizioni e le direttive in vigore, oltre allo schema elettrico fornito con il bruciatore!**

- Verificare che la tensione di rete corrisponda alla tensione d'esercizio indicata nello schema elettrico e targa dati.
- Fusibile sul bruciatore : 5 A

### Allacciamento elettrico (plug-in)

Il bruciatore deve poter essere scollegato dalla rete mediante uno dei corrispondenti dispositivi di interruzione omipolari conformi alle norme vigenti.

Bruciatori e generatori termici (caldaie) vengono collegati tra di loro mediante una

connessione alla morsettiera del pannello (fig.1).

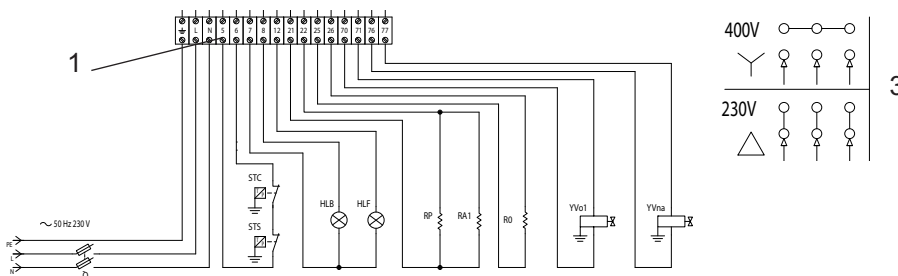
### I bruciatori sono prodotti con i collegamenti adatti all'alimentazione 380-400 V trifase.

I bruciatori con motori elettrici di potenza inferiore o uguale a 3 kW possono essere adattati per alimentazione a 220-230 V (seguire le istruzioni sul retro); per i motori con potenze superiori è possibile solo l'alimentazione a 380-400 V trifase.

In caso di richiesta di bruciatori diversi dallo standard sopra indicato si raccomanda di farne specifica menzione nell'ordine.

### Istruzioni: come adattare motori elettrici di potenza uguale o inferiore a 3 kW per alimentazione 220-230 V

E' possibile modificare il voltaggio del bruciatore operando come segue:  
1. modificare il collegamento all'interno della scatola di alimentazione del motore elettrico: da stella a triangolo (vedi figura 3);



### Controlli da eseguire prima della messa in funzione

Prima della messa in funzione devono essere controllati i seguenti punti.

- Montaggio del bruciatore secondo le presenti istruzioni.
- Preimpostazione del bruciatore secondo le indicazioni riportate nella tabella di regolazione.
- Controllo degli organi di combustione
- Il generatore termico dev'essere pronto per l'uso, le prescrizioni di montaggio del generatore termico devono essere rispettate.
- Tutti gli allacciamenti elettrici devono

essere eseguiti correttamente.

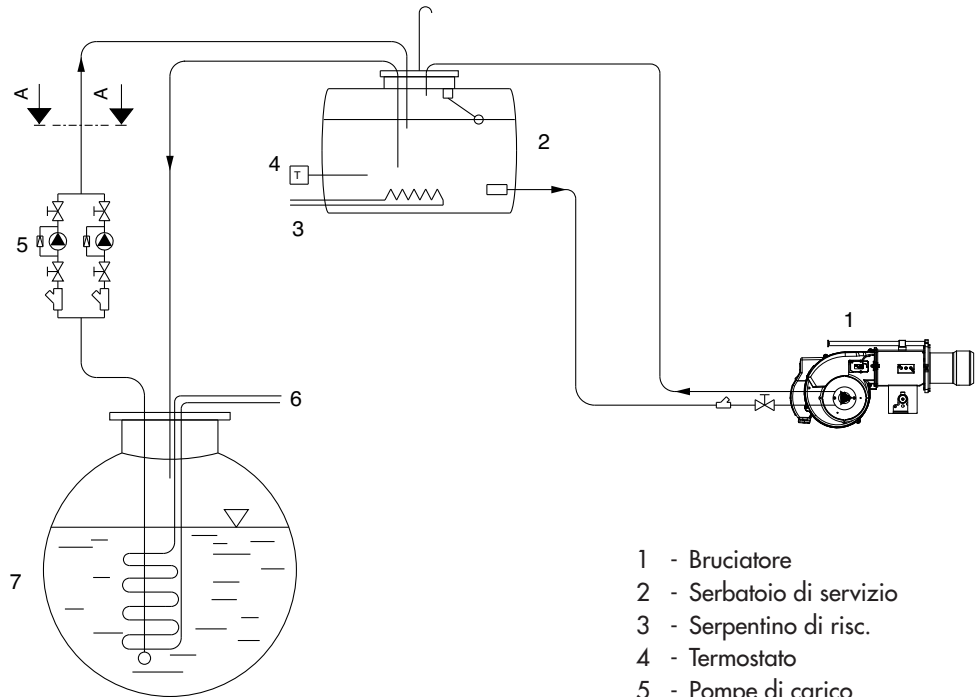
- Il generatore termico ed il sistema di riscaldamento sono pieni d'acqua, le pompe di circolazione sono in funzione.
- Termostati, regolatore di pressione, dispositivo di sicurezza in caso di carenza d'acqua ed altri dispositivi limitatori eventualmente installati sono correttamente collegati e funzionanti.
- Le vie di scarico dei fumi devono essere sgombrare, il dispositivo per l'aria secondaria, se presente, dev'essere in funzione.
- Dev'essere garantito un sufficiente apporto di aria pura.
- Dev'essere presente una richiesta di

riscaldamento.

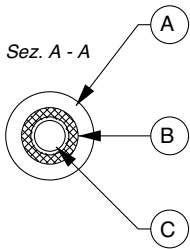
- I serbatoi del combustibile devono essere pieni.
- I condotti per il combustibile devono essere installati a regola d'arte, devono essere sottoposti ad un controllo per garantirne l'ermeticità ed essere disaerati.
- Il punto di misurazione previsto dalla norma per il controllo dei fumi di scarico dev'essere presente, il percorso dei fumi sino al punto di misurazione dev'essere a tenuta stagna in modo che i risultati delle misurazioni non possano essere falsati.

## Installazione - Linea di alimentazione del combustibile

### SCHEMA ALIMENTAZIONE COMBUSTIBILE FINO A 15°E A 50°C

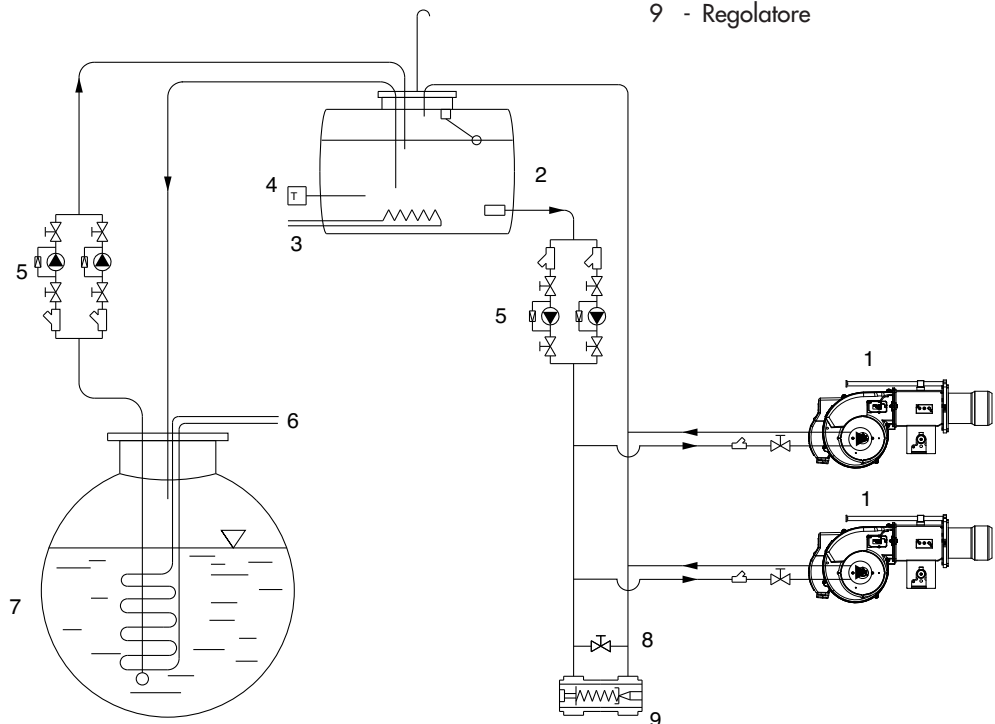


- 1 - Bruciatore
- 2 - Serbatoio di servizio
- 3 - Serpentino di risc.
- 4 - Termostato
- 5 - Pompe di carico
- 6 - Riscaldatore
- 7 - Serbatoio principale
- 8 - By-pass
- 9 - Regolatore



#### Legenda

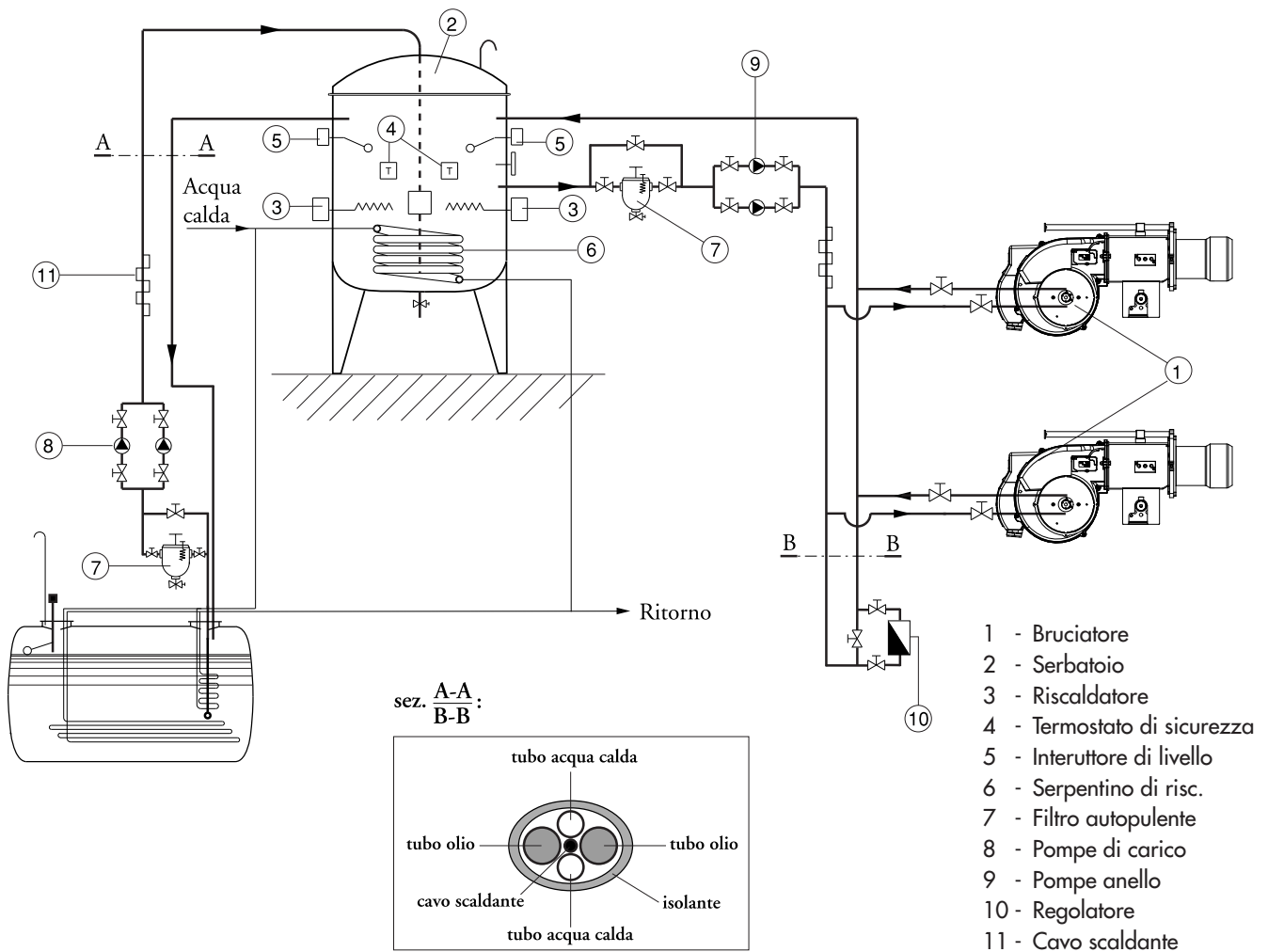
- A - Guaina isolante
- B - Resistenza elettrica
- C - Tubo alim. combust.



**IMPORTANTE:** Tutte le linee di alimentazione sono riscaldate (vedi sez. A-A)

## Installazione - Linea di alimentazione del combustibile

### SCHEMA ALIMENTAZIONE COMBUSTIBILE FINO A 50°E A 50°C



**IMPORTANTE:** Tutte le linee di alimentazione sono riscaldate (vedi sez. A-A)

## Messa in funzione - Dati di configurazione - Regolazione dell'aria

Maxflam 10						
potenza bruciatore kW	pressione in camera mbar	portata olio kg/h	ugello 60° HO	pressione pompa bar	regolazione testa	regolazione aria
68		6	1,00	23	1	2,20
91		8	1,25	23	1	2,80
108		9,5	1,50	23	1	3,50
136		12	2,00	21	2	4,50

Maxflam 20						
potenza bruciatore kW	pressione in camera mbar	portata olio kg/h	ugello 60° HO	pressione pompa bar	regolazione testa	regolazione aria
108		9,5	1,50	23	1	3,50
142		12,5	2,00	23	2	4,50
179		15,8	2,50	23	2	5,50
227		20	3,00	23	3	8,00

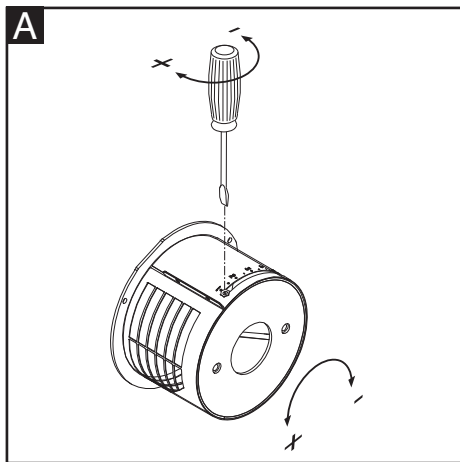
Maxflam 30						
potenza bruciatore kW	pressione in camera mbar	portata olio kg/h	ugello 60° HO	pressione pompa bar	regolazione testa	regolazione aria
171	1,2	15	2,50	23	1	1,25
205	1,5	18	3,00	23	2	1,5
239	1,8	21	3,50	23	2	1,8
<b>274</b>	<b>2</b>	<b>24</b>	<b>4,00</b>	<b>23</b>	<b>3</b>	<b>2</b>
308	2,3	27	4,50	23	3	2,5
342	1	30	5,00	23	4	3

Le regolazioni indicate sopra sono **regolazioni base**. Con queste impostazioni, normalmente, il bruciatore può essere messo in funzione. La regolazione deve poi essere verificata

utilizzando un analizzatore di combustione. Potrebbero rivelarsi necessarie correzioni subordinate al singolo impianto. Valori di combustione favorevoli si

possono ottenere mediante l'uso degli ugelli seguenti:

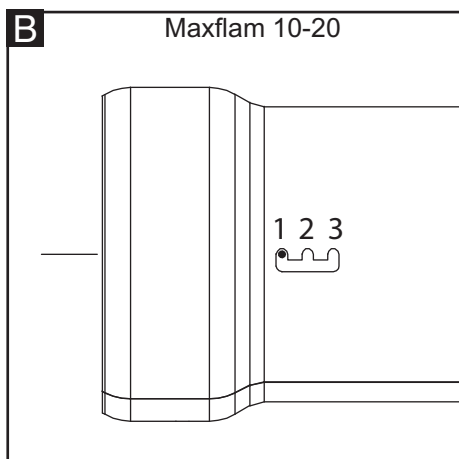
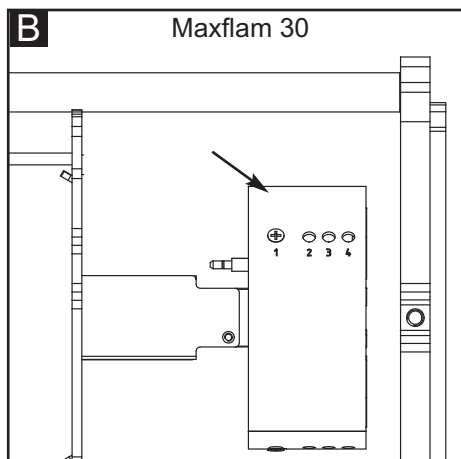
DANFOSS H+S 80°+60°  
DELAN W 60°  
STEINEN S 60°



### Regolazione dell'aria (A).

Agire sulla vite in figura:

- ruotare la serranda fino a raggiungere il valore desiderato.



### Regolazione della testa di combustione (B).

Estrarre il bruciatore dalla flangia.

Modificare la posizione della fascia (1,2,3,4) sulla testa agendo sulla vite con un cacciavite fino a raggiungere il valore desiderato. Fissare la fascia e rimontare il bruciatore nella flangia.

## Messa in funzione - Regolazione del bruciatore - Regolazione pressione dell'olio



**Pericolo di deflagrazione:** durante le operazioni di regolazione, verificare costantemente le emissioni di CO, CO<sub>2</sub> e l'indice di fumosità. In presenza di formazioni di CO modificare i valori della combustione. Il valore massimo di CO non deve superare i 50ppm.

### Avviamento del bruciatore

Prima dell'avviamento del bruciatore, caricare le tubazioni fino al riempimento del filtro olio. Avviare quindi il bruciatore agendo sul termostato della caldaia. Per eliminare completamente l'aria dalla tubazione dell'olio, svitare le vite di spurgo nel filtro dell'olio durante la fase di preventilazione. Nel corso di questa operazione non è consentito superare una depressione di 0,4 bar. Quando fuoriesce gasolio senza bolle ed il filtro è completamente pieno di olio, chiudere nuovamente le vite di spurgo.

### Regolazione della potenza del bruciatore

Regolare la pressione del olio in modo che il bruciatore eroghi la potenza desiderata, agendo sul regolatore di pressione. Controllare sempre i valori della combustione (CO, CO<sub>2</sub>, indice di fumosità). Se necessario, modicare la portata d'aria, procedendo eventualmente in modo progressivo.

### Ottimizzazione dei valori della combustione

In caso di valori di combustione non soddisfacenti modificare la posizione della testa di combustione. In questo modo vengono modificati il comportamento di avviamento e i valori della combustione. Se necessario, compensare la variazione della portata d'aria mediante la regolazione della serranda dell'aria.

**Attenzione: in caso di installazione su caldaia, rispettare la temperatura minima dei fumi di scarico secondo le indicazioni del costruttore della caldaia e secondo i requisiti del sistema di scarico fumi, al fine di evitare la formazione di condensa.**

### Regolazione pressione del gasolio

Per regolare la pressione del olio (e quindi la potenza del bruciatore) agire sul regolatore di pressione **5** nella pompa. Ruotare verso:

- destra: aumento della pressione;
- sinistra: riduzione della pressione.

Per il controllo è necessario collegare un manometro all'allacciamento **3**, filettatura R1/8"

### Controllo depressione

Il vacuometro per il controllo della depressione dev'essere collegato al raccordo **4**, R1/8".  
Depressione massima consentita 0,4 bar. Con depressione superiore, l'olio gasifica provocando un rumore stridulo e il danneggiamento della pompa.

### Regolazione termostati olio combustibile

Il termostato di lavoro delle resistenze va impostato sui 100-140 °C e il termostato di sicurezza è prearato. Queste regolazioni possono essere leggermente modificate in funzione del tipo di combustibile e di particolari applicazioni.

- A - Termostato di lavoro (100-140 °C).
- B - Termostato testa di combustione (120-140 °C).

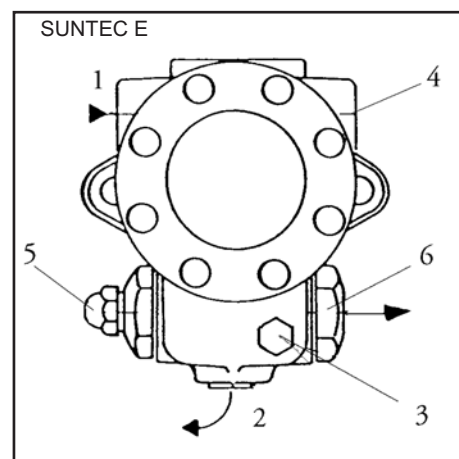
### Controllo funzionamento

Un controllo di sicurezza del monitoraggio fiamma dev'essere eseguito sia in occasione della prima messa in funzione, sia dopo aver eseguito revisioni o dopo un lungo periodo di inattività dell'impianto.

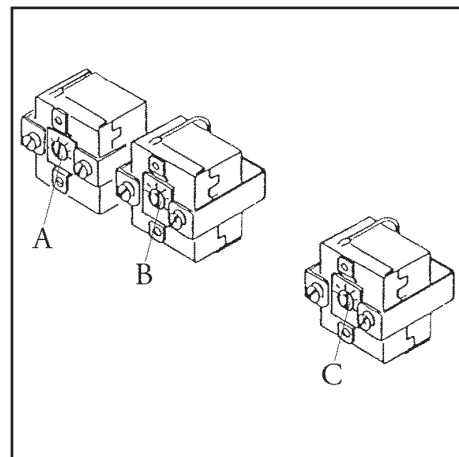
- Tentativo di avviamento con rivelatore di fiamma oscurato: al termine del tempo di sicurezza il programmatore di comando deve spostarsi su anomalia.

- Avviamento con rivelatore di fiamma illuminato: dopo 5 secondi di preaerazione il programmatore di comando deve spostarsi su anomalia.

- Avviamento normale: quando il bruciatore è in funzione, oscurare il rivelatore di fiamma: dopo un nuovo avviamento ed al termine del tempo di sicurezza il programmatore di comando deve spostarsi su anomalia.



- 1 allacciamento aspirazione.
- 2 allacciamento di ritorno.
- 3 allacciamento manometro olio
- 4 allacciamento manometro depressione.
- 5 regolazione della pressione dell'olio
- 6 allacciamento pressione



<b>Registrazione dati di messa in funzione</b>		
Test	n°1	n°2
Data		
Modello		
Tipo olio		
Valore calorifico olio		
Potenza bruciatore	min	kW
Potenza bruciatore	max	kW
Temperatura fumi		C°
Temperatura aria		C°
CO <sub>2</sub>		%
CO		ppm
NOx		ppm
Rendimento		%
Azione correttiva		
Nome operatore		
Azienda		

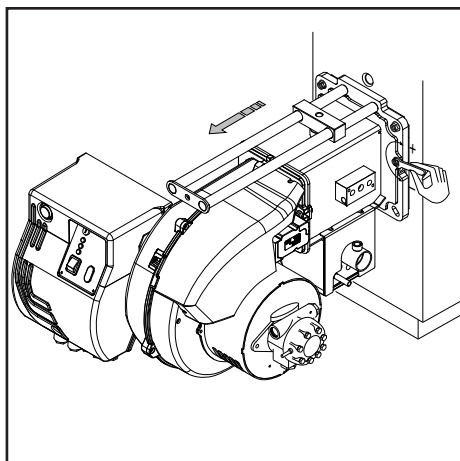
## Assistenza - Manutenzione

Gli interventi di assistenza sulla caldaia e sul bruciatore devono essere eseguiti esclusivamente da personale tecnico addestrato nel campo del riscaldamento. Al fine di garantire una regolare esecuzione degli interventi di assistenza, si consiglia al gestore dell'impianto di stipulare un contratto di assistenza.



**Attenzione**  
WARNING

**DANGER** • Prima degli interventi di manutenzione e pulizia, disinserire la corrente.



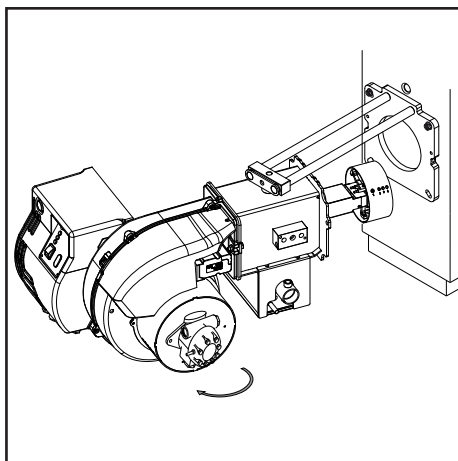
• Il bocaglio ed i componenti della testa possono essere caldi.

### Controllo della temperatura dei fumi di scarico

- Controllare regolarmente la temperatura dei fumi di scarico.
- Pulire la caldaia se la temperatura dei fumi di scarico supera il valore della messa in funzione di oltre 30°C.
- Al fine di semplificare il controllo, installare un display per la visualizzazione della temperatura dei fumi di scarico.

### Posizioni di manutenzione del bruciatore

- Dopo aver allentato le viti di fissaggio alla flangia del bruciatore, è possibile estrarlo e ruotarlo nella posizione di



manutenzione per:  
sostituzione dell'ugello  
sostituzione/regolazione elettrodi  
pulizia/sostituzione del disco  
regolazione testa



**Terminate le operazioni di manutenzione, pulizia o controllo, rimontare il cofano e tutti i dispositivi di sicurezza e protezione del bruciatore.**

### Interventi di manutenzione sul bruciatore

- Pulire ventola a carter e controllare che non presentino danni.
- Controllare e pulire i dispositivi di miscelazione.
- Sostituire l'ugello.
- Controllare gli elettrodi di accensione ed eventualmente regolarli o sostituirli.
- Montare il dispositivo di miscelazione. Rispettare i dati di taratura.
- Montare il bruciatore.
- Avviare il bruciatore, controllare i dati dei fumi di scarico ed eventualmente correggere le regolazioni del bruciatore.
- Verificare la tenuta e lo stato di usura di tutti i componenti di alimentazione del olio (flessibili, pompa, tubetto pompa) e dei relativi raccordi ed eventualmente sostituirli.
- Controllare la presenza di danni su connessioni elettriche e cavi di raccordo ed eventualmente sostituirli.
- Controllare ed eventualmente pulire il filtro della pompa.

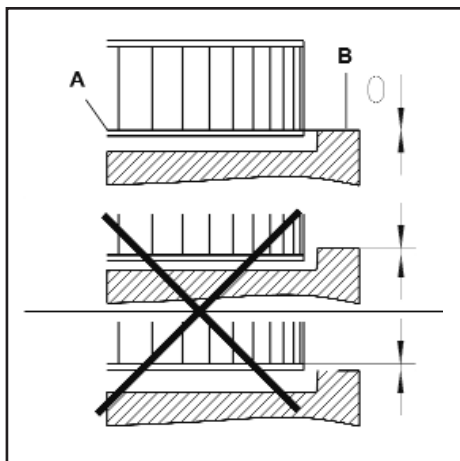
### Pulizia del filtro preriscaldatore

Estrazione del filtro:

- 1 Spegnerne il bruciatore e lasciare raffreddare.
- 2 Togliere il bulbo del termometro olio C.
- 3 Allentare la vite B e scaricare una parte dell'olio contenuto nel barilotto affinché il livello del liquido scenda al di sotto di quello del filtro.
- 4 Svitare ed estrarre dalla propria sede il gambo del filtro A.
- 5 Dopo aver pulito il filtro, rimontarne le parti come indicato in figura e reinserirlo nella propria sede.

E' buona norma sostituire tutte le guarnizioni del filtro e della valvola ogni qualvolta questi vengono smontati.

**Note: Si ricorda che, quando il bruciatore è in funzione, nel barilotto si ha una pressione di circa 23 bar e che quindi diventa molto pericoloso eseguire le precedenti operazioni con il bruciatore funzionante.**

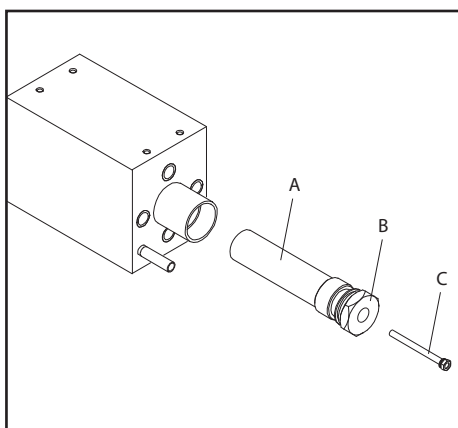
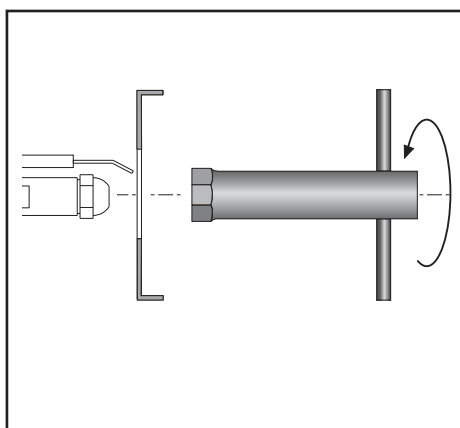


### Montaggio della ventola

In caso di sostituzione della ventola o del motore, fare riferimento allo schema di posizionamento. Allineare la flangia interna A della ventola con la piastra B. Inserire un righello tra le pale della ventola e portare A e B alla stessa altezza, serrare la vite senza testa con intaglio sulla ventola.

### Pulizia e sostituzione dell'ugello

Utilizzare solo l'apposita chiave fornita in dotazione per rimuovere l'ugello, facendo attenzione a non danneggiare gli elettrodi. Montare il nuovo ugello con la medesima cura. **NB:** verificare sempre la posizione degli elettrodi dopo il montaggio dell'ugello (vedi figura). Una posizione errata può comportare problemi di accensione.



## Assistenza - Possibili inconvenienti

### Cause ed eliminazione delle anomalie

In presenza di anomalie, devono essere controllati i presupposti fondamentali per il corretto funzionamento dell'impianto:

1. C'è corrente?
2. C'è olio nel serbatoio?
3. I rubinetti di arresto sono tutti aperti?
4. Tutti gli apparecchi di regolazione e sicurezza come il termostato caldaia, il dispositivo di sicurezza in caso di carenza d'acqua, il finecorsa, ecc., sono impostati?

Nel caso in cui, dopo il controllo dei punti suddetti, l'anomalia persistesse, usare le seguente tabella.



I componenti di sicurezza non devono essere riparati, bensì devono essere sostituiti con componenti riportanti lo stesso codice articolo.



**Utilizzare esclusivamente pezzi originali del costruttore.**



**In caso di arresto del bruciatore, per evitare danni all'installazione, non sbloccare il bruciatore più di due volte di seguito. Se il bruciatore va in blocco per la terza volta, contattare il servizio di assistenza.**

### NB: Dopo ogni intervento controllare:

- i valori di combustione in condizioni di esercizio (porta del locale caldaia chiusa, copertura montata, ecc.).
- registrare i valori di combustione nel libretto di centrale.

**Tabella codici errori**


Lampeggi (LED)	«AL» term. n°10	Possibile cause
2 lampeggi	on	Assenza di fiamma al termine del tempo di sicurezza all'accensione «TSA» - elettrovalvole difettose - rilevatore fiamma difettoso - regolazione bruciatore errata - elettrodi difettosi
3 lampeggi	on	Non utilizzati
4 lampeggi	on	Luci estranee durante la fase di pre-ventilazione
5 lampeggi	on	Non utilizzati
6 lampeggi	on	Non utilizzati
7 lampeggi	on	Troppe mancanze di fiamma durante il funzionamento (superato il limite del n° di ripetizioni del ciclo) - elettrovalvole difettose. - rilevatore fiamma difettoso - regolazione bruciatore errata.
8 lampeggi	on	Controllo del tempo riscaldamento combustibile - Più di 5 commutazioni del consenso preriscaldatore( durante la preventilazione)
9 lampeggi	on	Non utilizzati
10 lampeggi	off	Contatti in uscita difettosi o guasto del dispositivo interno
	on	Più di 3 errori temporanei nei contatti in uscita.


## Contenus généraux - Sommaire - Notices générales

<b>Vue d'ensemble</b>	Déclaration de conformité	3
	Données techniques	4
	Domaine de fonctionnement	5
	Dimensions	6
<b>Contenus généraux</b>	Sommaire	33
	Notices générales	33
	Description du brûleur	34
<b>Fonction</b>	Fonctions générales de sécurité	35
	Coffret de commande et de sécurité Siemens LMO14	36
	Pompe du brûleur	37
<b>Installation</b>	Montage du brûleur	38
	Raccordement électrique	39
	Contrôles avant la mise en service	39
	Ligne d'alimentation en combustible	40
<b>Mise en service</b>	Données de configuration - Réglage de l'air	42
	Réglage du brûleur	43
	Réglage de la pression fuel	43
	Enregistrement des données de mise en service	43
<b>Maintenance</b>	Entretien	44
	Problèmes possibles	45
<b>Vue d'ensemble</b>	Schémas électrique	59-61
	Pièces de rechange	62-65

### Mise en garde


Les brûleurs Ecoflam ont été conçus et construits dans le respect des réglementations et des directives actuelles

 **Tous les brûleurs sont conformes aux réglementations relatives à la sécurité et aux économies d'énergie dans la limite du domaine d'utilisation déclaré.**

 **Le brûleur ne doit pas être utilisé en dehors de la plage de travail.**

La qualité du produit est garantie par le système de certification conformément à la norme ISO 9001:2008.

Les brûleurs MAXFLAM sont conçus pour la combustion de fioul lourd.

 **Les brûleurs répondent à la norme EN 267. Le montage, la mise en route et l'entretien ne peuvent être exécutés que par des spécialistes autorisés, dans le respect des directives et prescriptions en vigueur.**

### Description du brûleur

Le brûleur MAXFLAM est une allure, à fonctionnement complètement automatique en exécution monobloc. La géométrie de la tête de combustion permet d'obtenir de faibles niveaux de NOx et d'imbrûlés, pour un meilleur rendement du générateur.


Les émissions peuvent différer de celles recensées dans le laboratoire d'essai puisque cela dépend beaucoup du

générateur sur lequel le brûleur est installé.

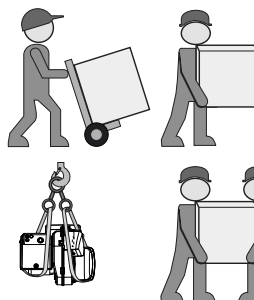
L'installateur doit respecter les normes en vigueur. Par exemple, éviter les locaux dangereux et non ventilés.

### Emballage et manutention


Manipuler le brûleur encore emballé avec un chariot ou un chariot élévateur, en faisant attention à ne pas le laisser tomber à plus de 20 cm du sol. Après avoir enlevé l'emballage, vérifier que le contenu est intact et correspond au produit commandé. En cas de doute, contacter le producteur.

 **L'installation du brûleur doit être effectuée par un personnel agréé.**

Si la taille et le poids ne permettent pas un levage manuel, se faire aider par un autre opérateur, ou utiliser un dispositif de



levage, en élinguant le brûleur avec les courroies si les œillets ne sont pas disponibles.

 Utiliser les accessoires fournis (bride, joint, boulons et écrous) pour installer le brûleur sur la chaudière, en prenant soin de ne pas endommager le joint isolant.

**Les dommages résultant des causes suivantes ne pourront pas être couverts par la garantie:**

- utilisation inappropriée.
- installation et/ou remise en état erronées par l'acheteur ou par un tiers, y compris la mise en place de pièces d'autres origines.

### Remise de l'installation et conseils d'utilisation

L'artisan qui réalise l'installation doit donner à l'utilisateur, au plus tard au moment de la réception de l'installation, les notices d'utilisation et d'entretien. Elles doivent être conservées bien visibles dans la chaufferie. L'adresse et le numéro d'appel de la station-service la plus proche doivent y être inscrits.

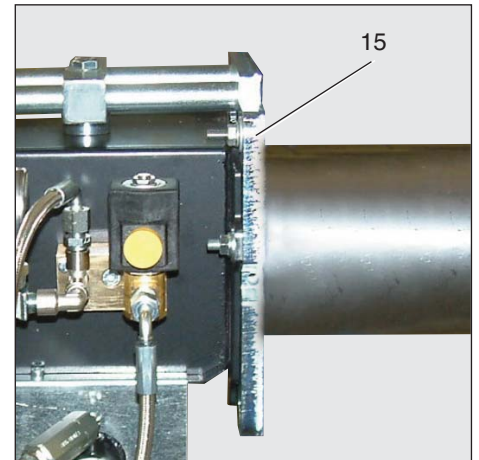
### Conseils à l'utilisateur

L'installation doit être vérifiée au moins une fois par an par un spécialiste. Pour en garantir l'exécution régulière, la conclusion d'un contrat d'entretien est fortement conseillée. contract to guarantee regular servicing.

## Contenus généraux - Description du brûleur

### MAXFLAM 30 - TC

<b>NOM</b>	
MAXFLAM	Fioul lourd
<b>MODÈLE</b>	
MAXFLAM 30	
<b>TYPE DE FONCTIONNEMENT</b>	
-	1 allure
AB	2 allure
<b>TYPE TETE</b>	
TC	Tête courte
TL	Tête longue



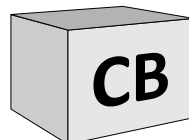
- A1 Siemens LMO14 Coffret de commande et de sécurité.
- M1 Moteur électrique pour pompe et ventilateur
- T1 Transformateur d'allumage
- 5 Vis de fixation palque
- 9 Tableau de commande
- 15 Bride du brûleur
- 16 Bouton de déblocage
- 102 Pompe
- 103B Régulation de l'air
- 113 Volet d'air

### Emballage

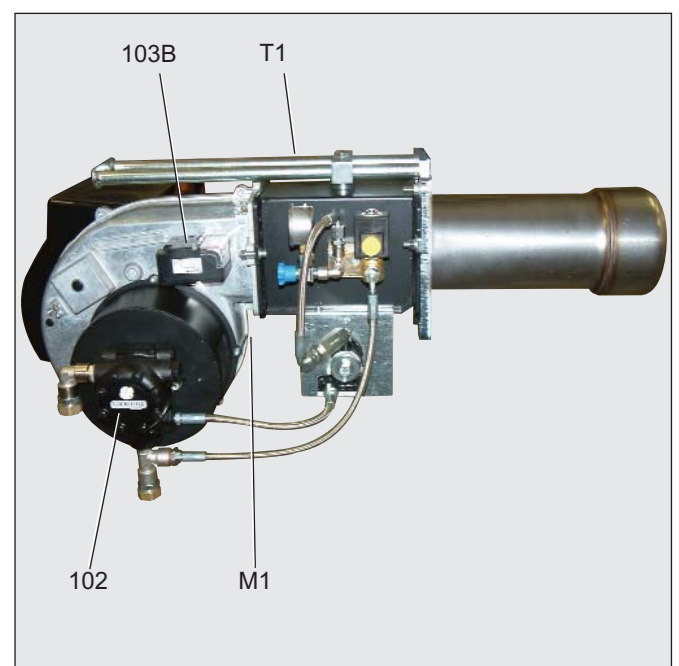
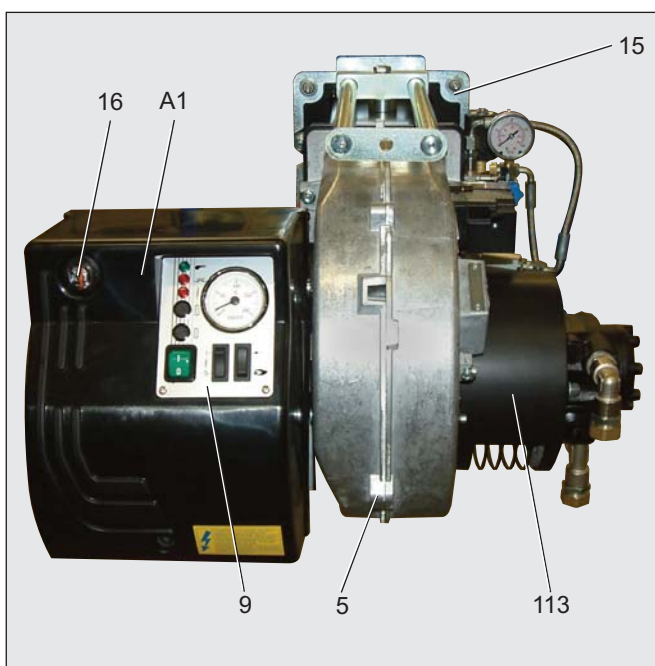
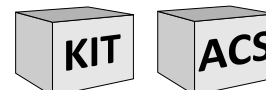
CB: BRÛLEUR JE COMPLÈTE

- 1 sachet :

- manuel technicien dans multilangue.
- filtre et flexibles.
- gicleur et clé pour gicleur.
- vis, écrous et rondelles.



KIT & ACS commandés et livrés séparément



## Fonction - Fonctions générales de sécurité

### Fonctionnement

- Mettre l'installation sous tension. Une fois que la température réglée sur le thermostat de travail est atteinte et les contacts de la chaudière sont fermés, le dispositif de contrôle met en marche le ventilateur, la pompe à combustible et le transformateur d'allumage. En même temps, les résistances qui servent à maintenir constante la température du combustible dans le réchauffeur s'allument.

- Le moteur démarre, l'allumeur est activé et le temps de pré ventilation (25 s) débute.

- Pendant la préventilation, le foyer est surveillé pour détecter une éventuelle présence de flamme.

- A l'issue de la préventilation, l'électrovanne fioul lourd s'ouvrent et le brûleur démarre.

- Pendant le fonctionnement, le circuit d'allumage est coupé.

### Fonction de sécurité

Une mise en sécurité intervient :

- lorsque pendant la préventilation, un signal de flamme est détecté (monitorage lumière extérieure);

- lorsque, au moment du démarrage (autorisation d'admission du combustible), aucune flamme ne s'est formée au bout de 5 secondes (temps de sécurité);

- si, en cas d'extinction accidentelle pendant le fonctionnement et après une tentative de réallumage, aucune flamme n'apparaît.

Une mise en sécurité est signalée par le témoin de défaut. Le déverrouillage du brûleur se fait, après élimination de la cause du défaut, par pression sur le bouton de déverrouillage.

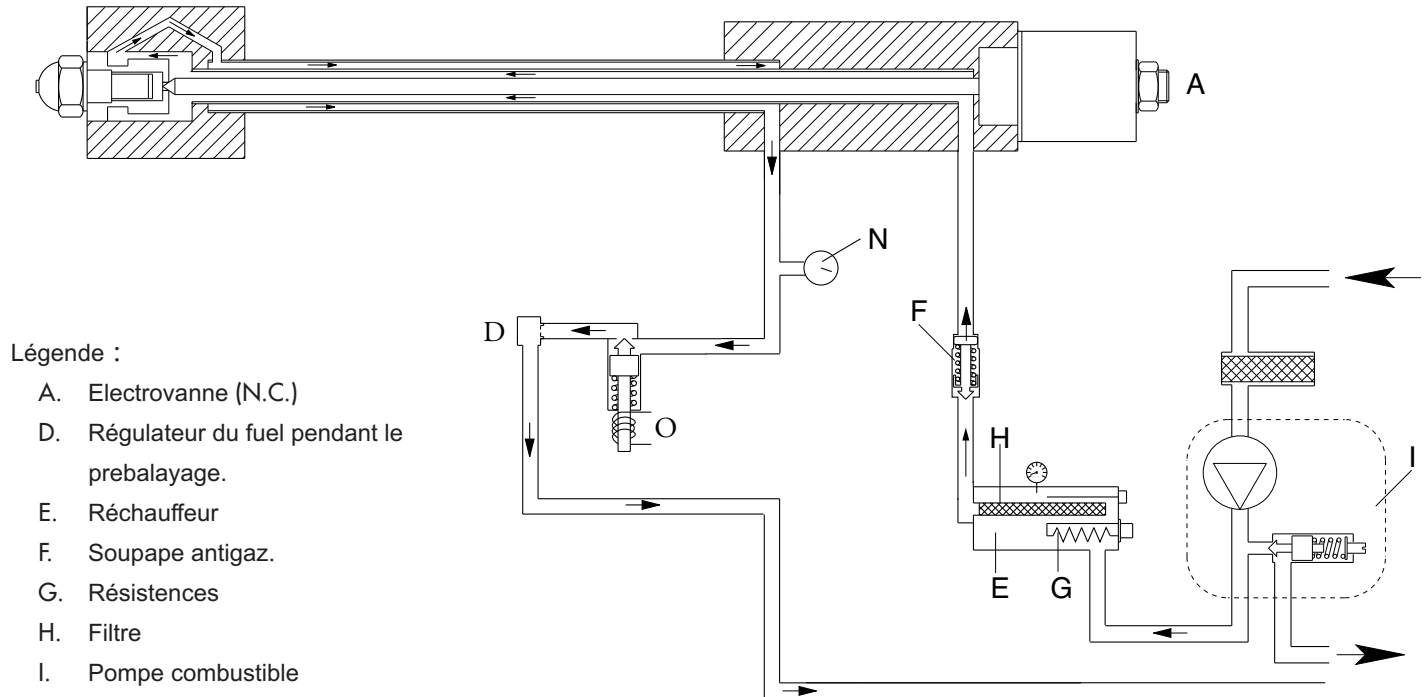
### Arrêt de régulation

- Le régulateur de la chaudière interrompt la demande de chauffe.

- L'électrovanne fioul lourd se ferme et la flamme s'éteint.

- Le moteur du brûleur s'arrête.

- Le brûleur est prêt à fonctionner.

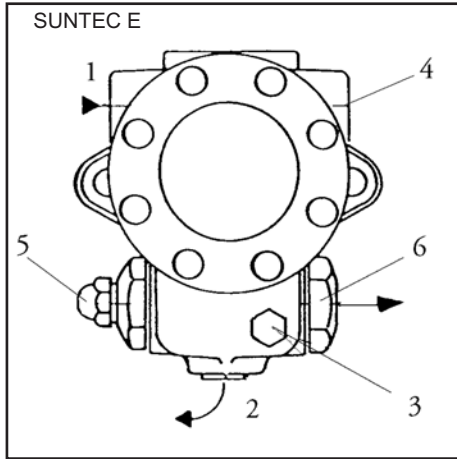


Légende :

- A. Electrovanne (N.C.)
- D. Régulateur du fuel pendant le prebalayage.
- E. Réchauffeur
- F. Soupape antigaz.
- G. Résistances
- H. Filtre
- I. Pompe combustible
- N. Manomètre
- O. Electrovalvola (N.O.)
- N.C. = Norm. fermée
- N.O. = Norm. ouverte



## Fonction - Pompe du brûleur

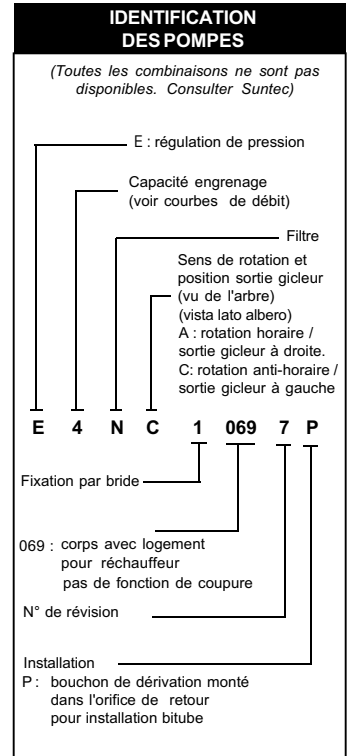


- 1 connexion d'aspiration.
- 2 connexion de retour.
- 3 connexion manomètre.
- 4 connexion vacuomètre.
- 5 réglage de la pression du fioul lourd.
- 6 connexion pression.

La pompe utilisée sur le brûleur de fioul domestique est une pompe auto-amorçante à engrenages qui doit être raccordée à un système bitube ; introduire le filtre dans la conduite d'aspiration. La pompe comprend un filtre d'aspiration et un régulateur de pression du fioul lourd. Avant la mise en fonction de l'appareil,

raccorder les manomètres de mesure de la pression et de la dépression.

N.B. : avant de démarrer le brûleur, contrôler que le retour est ouvert. Une éventuelle obstruction peut endommager le joint de la pompe.



### CARACTERISTIQUES TECHNIQUES

#### Généralités

Fixation	par bride selon la norme EN 225.
Raccordements	Cylindriques selon ISO 228/1
Aspiration et return	G 1/2"
Sortir ligne gicleur	G 1/4"
Prise de pression	G 1/8"
Prise vacuomètre	G 1/2"
Fonction du régulateur	régulation de la pression sans coupure.
Filtre	surface ouverte: 45 cm ouverture de la maille: 550 µm
Arbre	Ø 11mm selon la norme EN 225.
Bouchon de dérivation	monté dans l'orifice de retour pour raccordement bitube; à démonter avec une clé Allen de 3/16" pour raccordement monotube.
Poids	4 kg

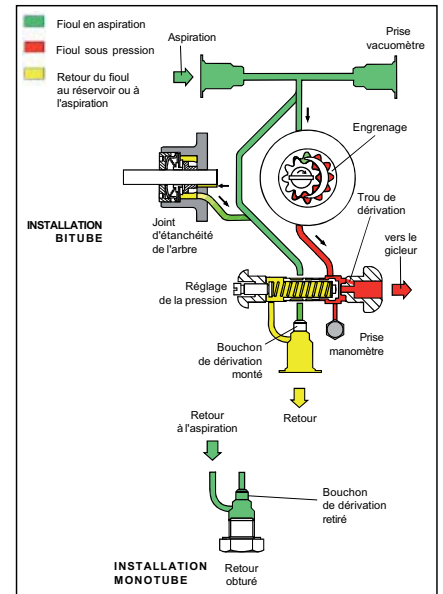
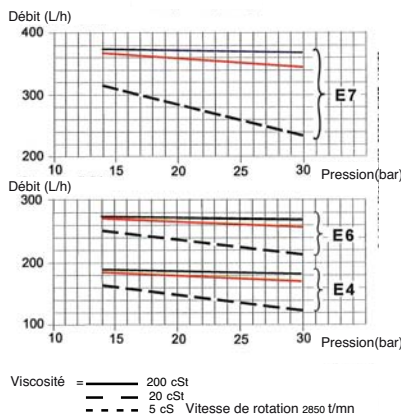
#### Caractéristiques Hydrauliques

Gamme de pression	14 - 30 bars
Pression de livraison	20 bars
Gamme de viscosité	3 - 75 cSt
Température du fioul	0 - 130°C max. dans la pompe
Pression d'arrivée	fioul domestique: 0,45 bars max. de vide pour éviter le dégazage du fioul.
	fioul lourd : 3,5 bars max.
Pression de retour	fioul domestique: 3,5 bars max. fioul lourd: 3,5 bars max.
Vitesse de rotation	3600 t/mn max.
Couple (à 40 t/mn)	0,3 N.m

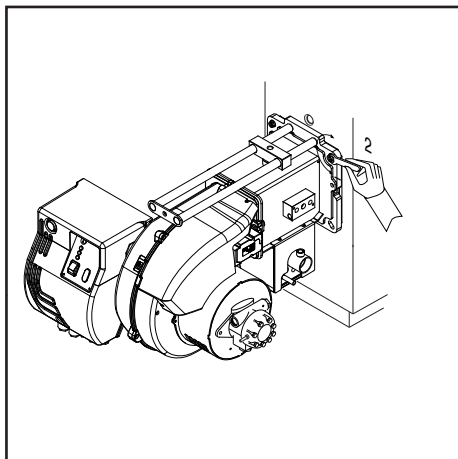
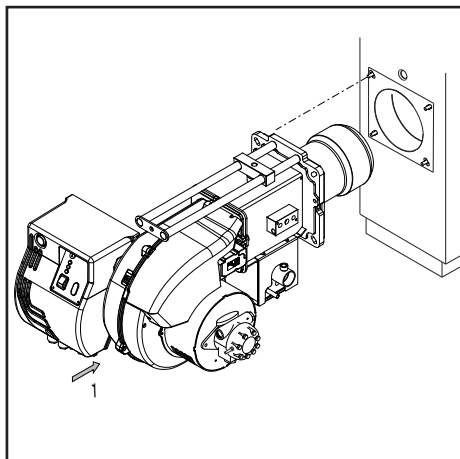
#### Choix du réchauffeur

Cartouche	Ø 12 mm
Raccords	selon EN 50262
Puissance	50-80 W

#### Débit de la pompe



## Installation - Montage du brûleur



### Montage du brûleur

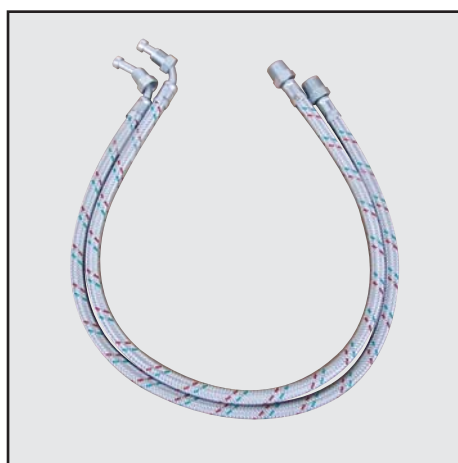
Le brûleur est fixé à la bride de fixation et, par conséquent, à la chaudière ; de cette manière, la chambre de combustion est fermée hermétiquement.

#### Montage :

- Fixer la bride de fixation à la chaudière au moyen des vis.

#### Démontage :

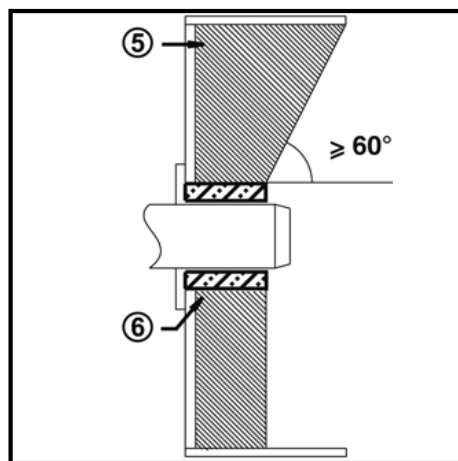
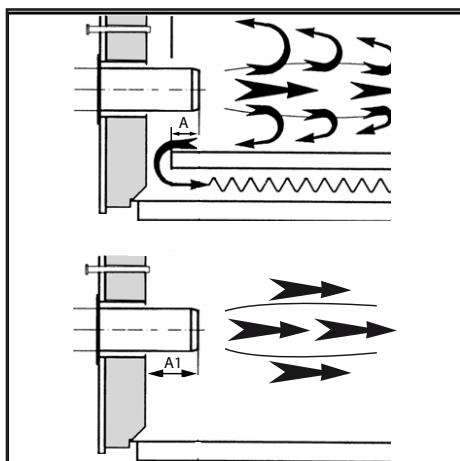
- Desserrer le vis.
- Extraire le brûleur de la chaudière.



### Branchement du fioul

Le filtre doit être monté de manière à ce qu'un guidage correct du tuyau flexible soit garanti.

Les tuyaux flexibles ne doivent pas être pliés.



### Profondeur de montage du tube du brûleur et garnissage en maçonnerie

Pour les générateurs sans paroi avant refroidie et en l'absence d'indications contraires par le constructeur de la chaudière, il est nécessaire de réaliser un garnissage en maçonnerie ou une isolation (5) selon la figure ci-contre. Le garnissage en maçonnerie ne doit pas déborder la bordure avant du gueulard et sa dépouille conique ne doit pas dépasser 60°. L'interstice d'air (6) doit être comblé avec un matériau d'isolation élastique et ininflammable.

Dans les chaudières, la profondeur de pénétration du tube de flamme doit être respectée tout en tenant compte des indications du constructeur de la chaudière.

Chaudières à foyer borgne :

A = 50-100 mm.

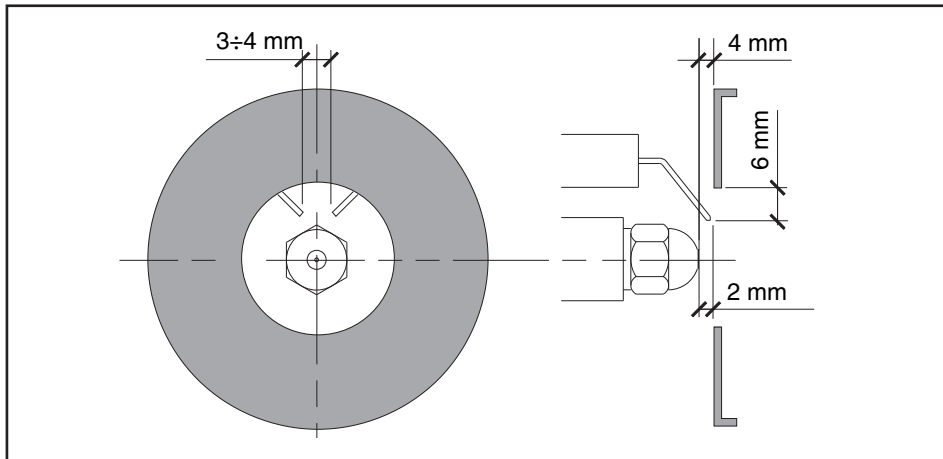
Chaudières à trois passes :

A1 = 50-100 mm.

### Mené des fumées

Au fin d'éviter du bruit non désirées, il est recommandé d'éviter les pièces de raccordement à angles droits lors du raccordement de la chaudière à la cheminée.

## Installation - Raccordement électrique - Contrôles avant la mise en service



### Position électrodes

NB: Après le remplacement du gicleur, vérifier toujours la position des électrodes (voir à l'illustration). Une position erronée des électrodes pourrait donner des problèmes d'allumage.

### Raccordement électrique

L'installation électrique et les travaux de raccordement doivent être réalisés exclusivement par le personnel qualifié et autorisé.

Les prescriptions et directives en vigueur doivent être respectées.

L'installation d'alimentation devra être munie d'un interrupteur différentiel de type A.

### Respecter obligatoirement les prescriptions et les directives en vigueur, outre le schéma électrique fourni avec le brûleur!

- Vérifier si la tension électrique d'alimentation correspond à la tension indiquée dans le schéma électrique et sur la plaque signalétique.

Fusible sur la chaudière: 5 A

### Raccordement électrique par connecteurs

Le brûleur doit pouvoir être déconnecté du réseau à l'aide d'un dispositif de coupure omnipolaire conforme aux normes en vigueur. Le brûleur et le générateur de

chaleur (chaudière) sont reliés entre eux par un connecteur à 4 pôles (fig.1).

### Les brûleurs sont fabriqués avec d'appropriées connexions d'alimentation 380-400 V triphasées.

Les brûleurs équipés de moteurs électriques d'une puissance égale ou inférieure à 3 kW peuvent être adaptés à l'alimentation 220-230 V (suivre les instructions au verso); les moteurs de puissance supérieure peuvent seulement fonctionner 380-400 V phase.

En cas de demande de brûleurs avec des standards différents par rapport à ceux dessus mentionnés, il est recommandé d'en faire mention spécifique dans la commande.

### Instructions: adapter les moteur électriques d'une puissance égale ou inférieure à 3 kW à l'alimentation 220-230 V

Il est possible de modifier la tension du brûleur de la manière suivante:

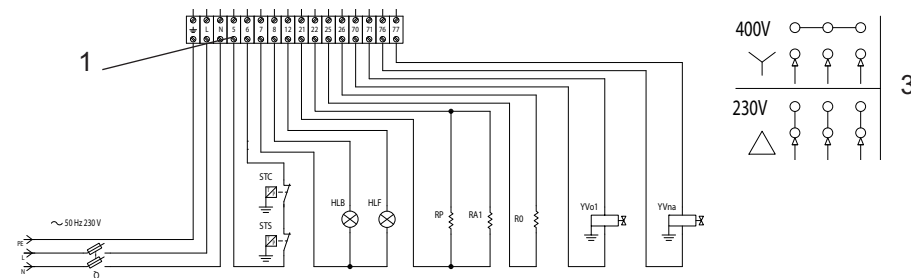
1. changer le lien à l'intérieur de la boîte

du moteur électrique: d'étoile en triangle (voir image 3);

2. modifier le réglage du relais thermique, se référant aux valeurs d'absorption indiquées sur la plaque signalétique du moteur. Si nécessaire, remplacer le relais thermique avec un autre d'échelle appropriée.

Cette opération n'est pas possible sur les moteurs supérieurs à 3 kW.

Pour plus de renseignements, s'il vous plaît contacter le personnel Ecoflam.



### Contrôles avant la mise en service

Il convient de contrôler les points suivants avant la première mise en service.

- Montage du brûleur conformément aux présentes instructions.
- Préréglage du brûleur conformément aux indications du tableau de réglage.
- Réglage des organes de combustion.
- Le générateur de chaleur doit être prêt à fonctionner, les prescriptions d'exploitation du générateur de chaleur doivent être respectées.
- Toutes les connexions électriques doivent être réalisées correctement.
- Le générateur de chaleur et le

Les données de réglage ci-dessus sont des réglages de base. Les données de

réglage d'usine sont encadrées en gras et sur fond gris. Dans un cas normal, ces réglages permettent la mise en service du brûleur. Vérifier en tout état de cause soigneusement les valeurs de réglage.

En général, en fonction de l'installation, des corrections doivent être apportées. système de chauffage sont remplis d'eau, les pompes de circulation sont en service.

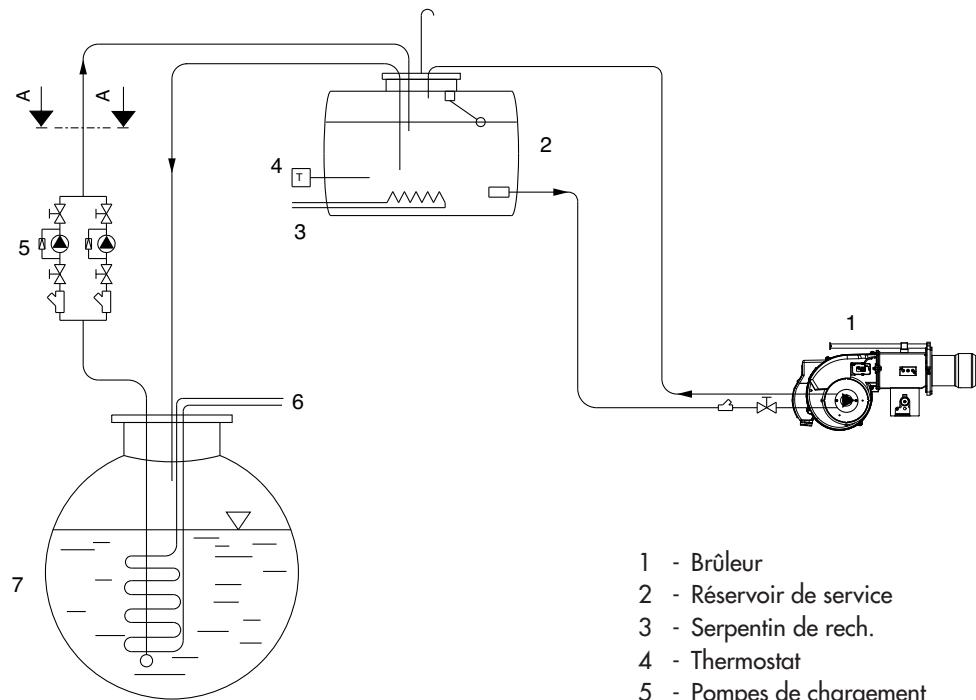
- Le régulateur de température, le régulateur de pression, la protection contre le manque d'eau et les autres dispositifs de limitation et de sécurité éventuellement présents sont raccordés et opérationnels.
- La cheminée doit être dégagée et le dispositif d'air additionnel, si présent, en

fonctionnement.

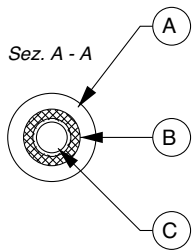
- Un apport d'air frais suffisant doit être garanti.
- La demande de chaleur doit être présente.
- Les réservoirs de combustible doivent être remplis.
- Les conduites de combustible doivent être montées dans les règles de l'art, leur étanchéité contrôlée et être purgées.
- Un point de mesure conforme aux normes doit être présent, le conduit de fumée jusqu'au point de mesure doit être étanche, de telle manière que les résultats de mesure ne soient pas faussés.

# Installation - Ligne d'alimentation du combustible

## SCHEMA ALIMENTATION DU FIOUL LOURD JUSQU'À 15°E À 50°C

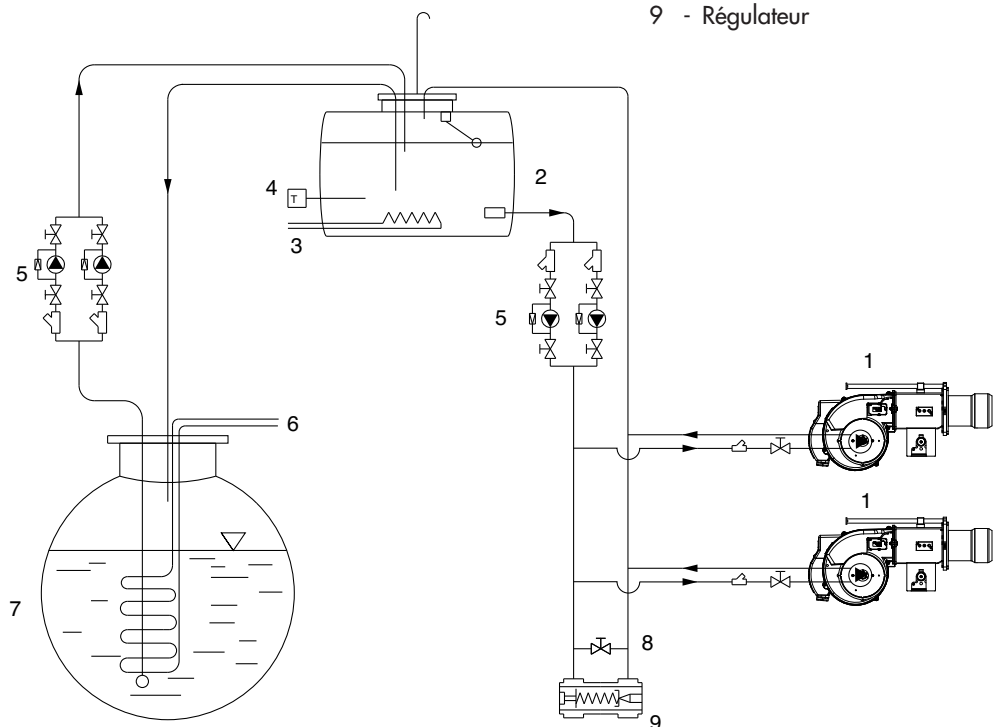


- 1 - Brûleur
- 2 - Réservoir de service
- 3 - Serpentin de rech.
- 4 - Thermostat
- 5 - Pompes de chargement
- 6 - Réchauffeur
- 7 - Réservoir principal
- 8 - By-pass
- 9 - Régulateur



### Légende

- A - gaine isolante
- B - Résistance électrique
- C - Tuyau alim. fuel.



**IMPORTANT:** Tous les tuyaux d'alimentation sont réchauffés (voir à la coupe A-A)



## Mise en service - Données de configuration - Réglage de l'air

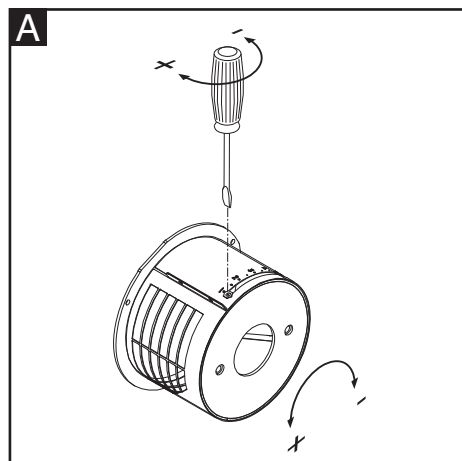
Maxflam 10							Maxflam 20						
débit brûleur kW	pression chambre mbar	débit fioul kg/h	gicleur 60° HO	pression pompe bar	réglage tête	réglage volet d'air	débit brûleur kW	pression chambre mbar	débit fioul kg/h	gicleur 60° HO	pression pompe bar	réglage tête	réglage volet d'air
68		6	1,00	23	1	2,20	108		9,5	1,50	23	1	3,50
91		8	1,25	23	1	2,80	142		12,5	2,00	23	2	4,50
108		9,5	1,50	23	1	3,50	179		15,8	2,50	23	2	5,50
136		12	2,00	21	2	4,50	227		20	3,00	23	3	8,00

Maxflam 30						
débit brûleur kW	pression chambre mbar	débit fioul kg/h	gicleur 60° HO	pression pompe bar	réglage tête	réglage volet d'air
171	1,2	15	2,50	23	1	1,25
205	1,5	18	3,00	23	2	1,5
239	1,8	21	3,50	23	2	1,8
<b>274</b>	<b>2</b>	<b>24</b>	<b>4,00</b>	<b>23</b>	<b>3</b>	<b>2</b>
308	2,3	27	4,50	23	3	2,5
342	1	30	5,00	23	4	3

Les régulations indiquées sur suis **réglages de base**. Avec ces sélections , normalement, le brûleur peut être mis en fonction. Le réglage doit ensuite être vérifié au moyen d'un analyseur de combustion.

Des corrections subordonnées à chaque installation pourraient s'avérer nécessaires. On peut obtenir des valeurs de combustion favorables en utilisant les buses suivantes:

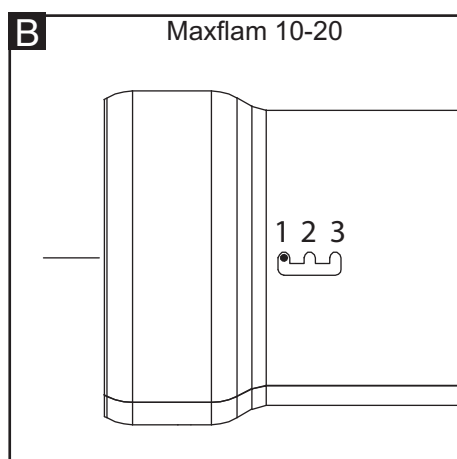
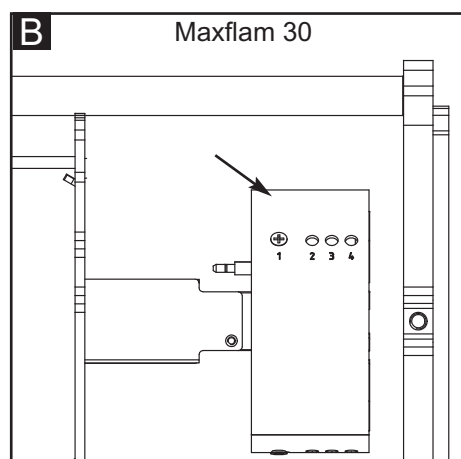
DANFOSS H+S 80°+60°  
DELVAN W 60°  
STEINEN S 60°



### Régulation de la volet d'air (A).

Agir sur les vies en figure:

- tourner l'obturateur jusqu'à la valeur souhaitée.



### Régulation de la tête de combustion (B).

Extraire le brûleur de la bride.

Modifier la position de la bande (1,2,3,4) sur la tête en agissant sur la vis à l'aide d'un tournevis pour obtenir la valeur souhaitée. Fixer la bande et remonter le brûleur dans la bride.

## Mise en service - Réglage du brûleur - Réglage de la pression fioul lourd



### Risque de déflagration:

Contrôler en permanence le CO, le CO<sub>2</sub> et les émissions de fumée pendant le réglage. En cas de formation de CO, optimiser les valeurs de combustion. La teneur en CO ne doit pas dépasser 50 ppm.

### Démarrage du brûleur

Avant de démarrer le brûleur, remplir les conduites jusqu'à ce que le filtre du fioul domestique soit plein. Ensuite, démarrer le brûleur en agissant sur le thermostat de la chaudière. Pour éliminer complètement l'air de la conduite du fioul lourd, desserrer la vis de purge dans le filtre du fioul lourd durant la phase de pré-aération. Ce faisant, il ne faut pas parvenir sous une dépression de 0,4 bar. Lorsque le fuel émergeant est exempt de bulles d'air et le filtre est entièrement rempli de fuel, fermer la vis de purge.

### Réglage de la puissance du brûleur

Régler la pression du fioul domestique de manière à ce que le brûleur distribue la puissance souhaitée, en agissant sur le régulateur de pression. Toujours contrôler les valeurs de la combustion (CO, CO<sub>2</sub>, indice de fumosité). Modifier, au besoin, le débit d'air, en procédant éventuellement de façon progressive.

### Optimiser les valeurs de combustion

Si les valeurs de combustion ne sont pas satisfaisantes, modifier la position de la tête de combustion. On modifie ainsi le comportement de mise en marche ainsi que les valeurs de la combustion. Si nécessaire, compenser la variation de débit d'air en adaptant la position du volet d'air.

**Attention: en cas d'installation sur une chaudière, respecter la température minimale des fumées d'évacuation en fonction des indications du fabricant de la chaudière et selon les exigences du système d'évacuation des fumées, afin d'éviter la formation de condensation.**

### Réglage de la pression fuel

Pour régler la pression du fuel (et donc le débit du brûleur) agir sur le régulateur de pression **5** dans la pompe.

Rotation vers:

- la droite : augmentation de la pression;
  - la gauche : diminution de la pression.
- Pour le contrôle, il est nécessaire de raccorder un manomètre au branchement, manomètre **3**, filetage R1/8 pouce.

### Contrôle de la dépression

Le vacuomètre pour le contrôle de la dépression doit être connecté sur la prise **4**, R1/8".

Dépression maximale permise 0,4 bar. Avec dépression supérieure, le fuel de chauffage gazéifié en provoquant un bruit strident et l'endommagement de la pompe.

### Regulation thermostats fioul lourd

Le thermostat de travail des résistances doit être réglé autour de 100-140 °C et le thermostat de sécurité est pré-calibrée.

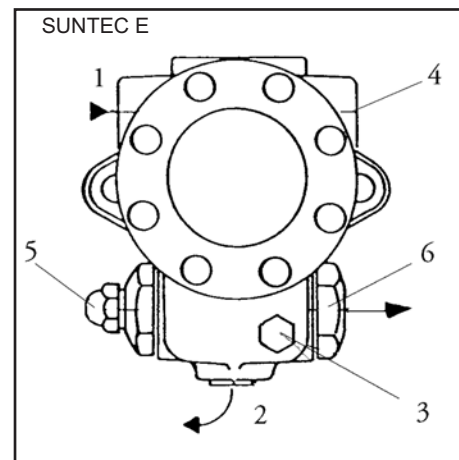
Ces régulations peuvent être légèrement modifiées en fonction du type de combustible et d'applications particulières.

- A - Thermostat de travail (100-140 °C).
- B - Thermostat tête de combustion (120-140 °C).

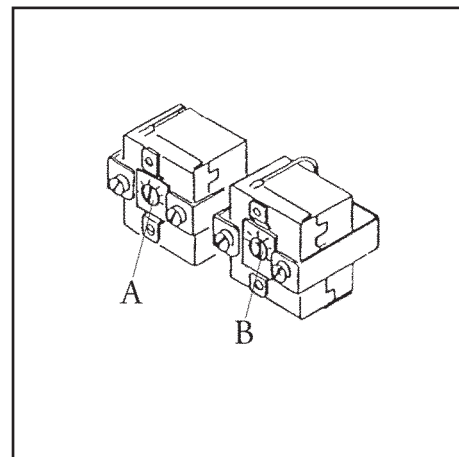
### Contrôle de fonctionnement

Il convient de procéder à un contrôle de sécurité de la surveillance de flamme aussi bien lors de la première mise en service qu'après des révisions ou un arrêt prolongé de l'installation.

- Tentative de démarrage avec la cellule de détection de flamme assombri : au terme du temps de sécurité, le coffret de sécurité doit se déplacer sur anomalie.
- Démarrage avec la cellule de détection de flamme éclairée : après une prévention de 5 secondes, le coffret de sécurité doit se déplacer sur anomalie.
- Démarrage normal: lorsque brûleur est en service, assombrir la cellule de détection de flamme: après un nouveau démarrage et au terme du temps de sécurité, le coffret de sécurité doit se déplacer sur anomalie.



- 1 connexion d'aspiration.
- 2 connexion de retour.
- 3 connexion manomètre.
- 4 connexion vacuomètre.
- 5 réglage de la pression du fioul lourd.
- 6 connexion pression.



<b>Enregistrement des données de mise en service</b>			
Test		n°1	n°2
Data			
Modèle			
Type de fioul			
Valeur calorifique du fioul			
Puissance du brûleur	min	kW	
Puissance du brûleur	max	kW	
Température fumée		C°	
Température de l'air		C°	
CO <sub>2</sub>		%	
CO		ppm	
NOx		ppm	
Rendement		%	
Action corrective			
Nom de l'opérateur			
Entreprise			

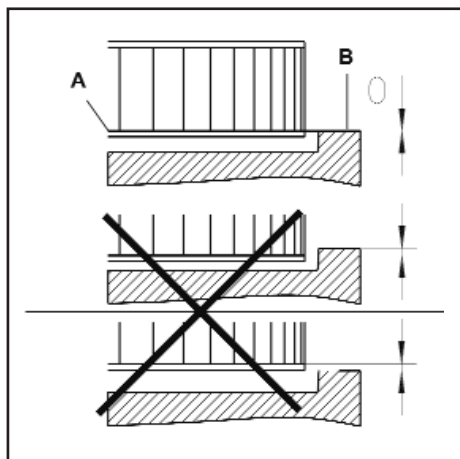
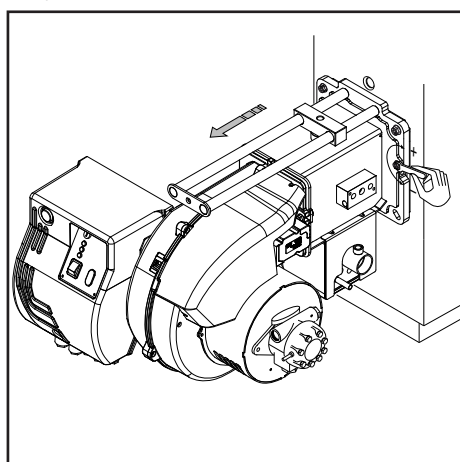
## Maintenance - Entretien

Les travaux d'entretien sur la chaudière et sur le brûleur ne doivent être exécutés que par un spécialiste en chauffage. Afin d'assurer des opérations d'entretien régulières la souscription d'un contrat d'entretien doit être recommandée à l'utilisateur de l'installation.



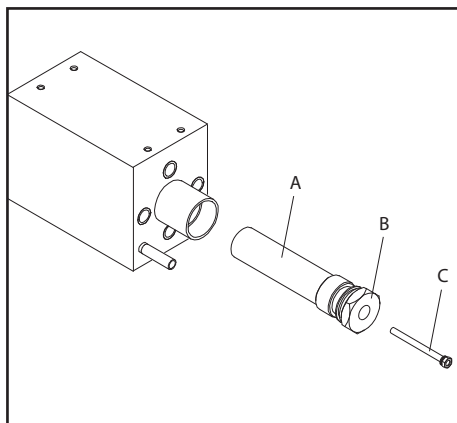
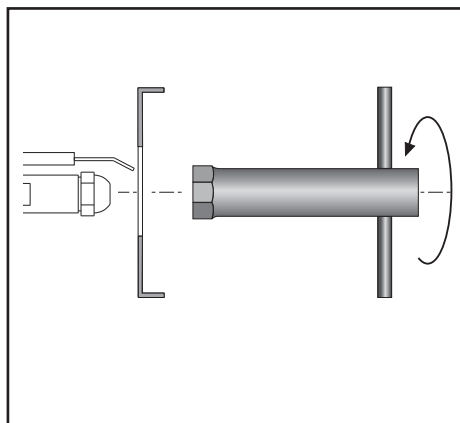
### Attention

- Avant toute intervention d'entretien et de nettoyage, couper l'alimentation électrique.



### Montage de la turbine

Lors du changement du moteur ou de la turbine, se référer au schéma de positionnement. Le flasque interne **A** de la turbine doit être aligné avec la platine **B**. Insérer un régllet entre les aubes de la turbine et amener **A** et **B** à la même hauteur, serrer la vis sans tête avec une encoche sur le ventilateur



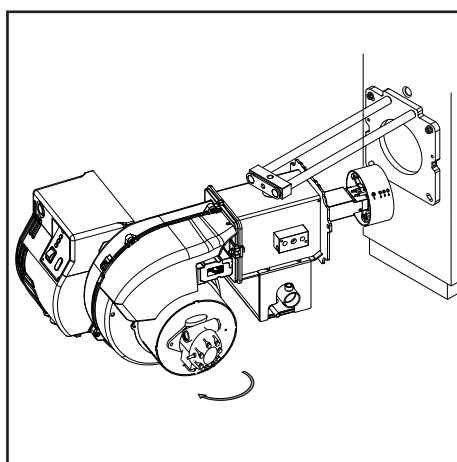
- L'gueulard et les composantes de la tête peuvent être chauds.

### Contrôle des températures des gaz de combustion

- Contrôler régulièrement la température des gaz de combustion.
- Nettoyer la chaudière lorsque la température des gaz de combustion dépasse la valeur à la mise en service de plus de 30°C.
- Utiliser un afficheur de température des gaz de combustion pour faciliter le contrôle.

### Positions d'entretien du brûleur

- Après avoir desserré les vis de fixation à la vis du brûleur, il est possible de l'extraire et de le tourner dans la position



d'entretien pour:  
remplacement du gicleur  
remplacement/réglage des électrodes  
nettoyage/remplacement du disque  
régulation de la tête de combustion



**Après avoir effectué toutes les opérations d'entretien, de nettoyage ou de contrôle, remonter le capot et tous les dispositifs de sécurité et de protection du brûleur.**

### Positions d'entretien

- Nettoyer la turbine et le carter, et vérifier qu'ils ne sont pas endommagés.
- Vérifier et nettoyer la tête de combustion.
- Remplacer le gicleur.
- Vérifier les électrodes, les régler ou les remplacer si nécessaire.
- Remonter la tête de combustion. Vérifier les réglages.
- Remonter le brûleur.
- Démarrer le brûleur, vérifier la combustion, et corriger les réglages du brûleur si nécessaire.
- Tous les composants d'alimentation en combustible (flexibles, pompe, tube de liaison avec la ligne gicleur) et leurs accouplements respectifs devraient être vérifiés (étanchéité, usure) et changés si nécessaire.
- Vérifier toutes les connexions électriques et les câbles, et les remplacer si nécessaire.
- Vérifier le filtre de la pompe et le nettoyer si nécessaire.

### Nettoyage du filtre monte dans le réchauffeur

Estraction du filtre :

- 1 Eteindre le brûleur et laisser refroidir.
- 2 Extraire l'ampoule du thermomètre fioul lourd C.
- 3 Dévisser la vis B et décharger une partie d'huile contenue à l'intérieur du réchauffeur, de façon à ce que le niveau du liquide descende au-dessous du filtre
- 4 Dévisser et extraire la tige du filtre A de son siège
- 5 Après avoir nettoyé le filtre, remonter les parties suivant l'illustration et le réintroduire dans son siège. Il serait souhaitable de remplacer toutes les joints du filtre et de la vanne chaque fois que ces derniers sont démontés.

**Note: On rappelle que, lorsque le brûleur est en fonction, dans le réchauffeur il y a une pression d'env. 23 bar et que, par conséquent devient très dangereux effectuer des opérations susdites avec le brûleur en marche.**

### Nettoyage et remplacement du gicleur

Utiliser seulement la clé en dotation, prévue pour cette opération, pour dévisser le gicleur, en veillant à ne pas endommager les électrodes. Monter le nouveau gicleur par le même soin.

**Note:** Après le remplacement du gicleur, vérifier toujours la position des électrodes (voir à l'illustration). Une position erronée des électrodes pourrait donner des problèmes d'allumage.

## Maintenance - Problèmes possibles

### Causes et élimination des anomalies

En présence d'anomalies, es conditions de fonctionnement normal doivent être vérifiées:

1. Y a-t-il du courant?
2. Y a-t-il du fioul lourd dans la citerne?
3. Tous les robinets d'arrêt sont-ils ouverts?
4. Tous les appareils de régulation et de sécurité tels que thermostat de chaudière, protection contre le manque d'eau, interrupteur de fin de course, sont-ils réglés?

Au cas où, après je contrôle des points susdits, l'anomalie persistait, employer le suivant tableau.



Les composantes de sécurité ne doivent pas être réparés, mais plutôt ils doivent être substitué avec des composantes rapportant le même code article.



**Utiliser exclusivement des pièces de rechange d'origine.**



**En cas d'arrêt du brûleur, afin d'éviter des dommages à l'installation, ne pas débloquent le brûleur plus de deux fois de suite. Si le brûleur se met en sécurité pour la troisième fois, contacter le service d'assistance.**

### NB: Après toute intervention contrôler:

- es valeurs de combustion en conditionsde exercise (porte de la locale chaudière éclose, couverturemontée,etc).
- enregistrer les valeurs de combustion dans le livret de central.

Tableau des codes de défaut		
Clignotement "rouge" du voyant de défaut	«AL» sur borne 10	Cause possible
clignote 2 x	Marche	Pas de présence de flamme à la fin de «TSA» - vannes de combustible défaut. ou encrassées.- sonde de flamme défectueuse ou encrassée. - mauvais réglage du brûleur, pas de combustible. - dispositif d'allumage défectueux.
clignote 3 x	Marche	Libre
clignote 4 x	Marche	Lumière parasite au démarrage du brûleur
clignote 5 x	Marche	Libre
clignote 6 x	Marche	Libre
clignote 7 x	Marche	Disparition de flamme trop fréquente en cours de fonctionnement (limitation des répétitions) - vannes de combustible défaut. ou encrassées. - sonde de flamme défectueuse ou encrassée. - mauvais réglage du brûleur.
clignote 8 x	Marche	Surveillance du préchauffeur de fioul - 5 x défaillance du préchauffeur de fioul durant la pré-ventilation
clignote 9 x	Marche	Libre
clignote 10 x	Arrêt	Défaut de câblage ou défaut interne, défaut permanent des contacts de sortie, autres défauts.
	Marche	3 x défaut temporaire des contacts de sortie

# Содержание общего характера - Содержание - Предупреждения общего характера

Обзор	Сертификат соответствия	3
	Технические характеристики	4
	Рабочий диапазон	5
	Размеры	6
Содержание общего характера	Содержание	46
	Предупреждения общего характера	46
	Описание горелки	47
Функция	Общие функции безопасности	48
	Блок управления и безопасности Siemens LMO14	49
	Насос горелки	50
Установка	Установка горелки	51
	Электрическое соединение	52
	Необходимые проверки перед пуском в эксплуатацию	52
	Линия питания горючего	53
Ввод в эксплуатацию	Параметры конфигурации - Регулировка подачи воздуха	55
	Регулировка горелки	56
	Регулировка давления дизельного топлива	56
Техническое обслуживание	Работы по техническому обслуживанию	57
	Возможные неполадки	58
Обзор	Электрические схемы	59-61
	Запчасти	62-65

## Основные указания

Горелки производства Ecoflam были разработаны и изготовлены в соответствии с действующими нормативами и директивами.



**Все горелки соответствуют стандартам безопасности и энергосбережения в пределах заявленного рабочего поля.**



**Запрещается эксплуатация горелки за пределами рабочего диапазона.**

Качество продукции гарантировано системой сертификации в соответствии с нормой ISO 9001:2008

Горелки MAXFLAM предназначены для сжигания мазута.



**Горелки соответствуют норме EN 267. Монтаж, пуск в эксплуатацию и техническое обслуживание должны производиться только квалифицированными техническими специалистами с соблюдением всех действующих директив и предписаний.**

## Описание горелки

Двухступенчатая горелка MAXFLAM работает полностью в автоматическом режиме при запуске моноблока. Форма головки горения позволяет получить низкий уровень выделения NOx и продуктов горения, максимально повышая таким образом КПД теплогенератора. Выделения могут отличаться от значений, полученных в испытательной лаборатории, так как

значительно зависят от типа теплогенератора, в котором устанавливается горелка. Монтаж должен отвечать требованиям действующих нормативов. Например, необходимо избегать помещений с опасной атмосферой или без вентиляции.

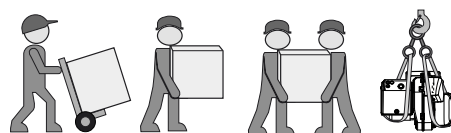
## Упаковка и перемещение

Перемещение горелки в упаковке следует осуществлять на тележке или на подъемнике, проявляя особую осторожность, чтобы не допустить ее падения, в связи с чем горелка должна находиться на расстоянии не более 20 см от земли. После удаления упаковки проконтролируйте целостность содержимого, а также соответствие оформленному заказу. В случае сомнений свяжитесь с производителем.



**Установка горелки должна осуществляться квалифицированным персоналом.**

Если размер и вес не позволяют поднять изделие вручную одному человеку, привлечите к выполнению этой операции еще одного работника или воспользуйтесь грузоподъемным



механизмом. Если на горелке не предусмотрены рым-болты, зачальте ее с помощью строп.



Используйте принадлежности, входящие в комплект поставки (фланец, уплотнение, болты и гайки). При установке горелки на котел проявляйте осторожность, чтобы не повредить изолирующую прокладку.

## Гарантия не распространяется на возмещение ущерба, вызванного следующими причинами:

- ненадлежащее использование
- неправильная установка, установка, выполненная покупателем или третьими лицами, использование неоригинальных элементов.

## Передача установки пользователю и рекомендации по эксплуатации

Установщик обязан не позднее момента передачи установки пользователю передать ему инструкции по эксплуатации и техническому обслуживанию установки. Они должны храниться в котельной на видном месте. В них должен быть указан номер телефона и адрес ближайшего центра технического обслуживания.

## Рекомендации пользователю

Не менее одного раза в год оборудование должно проверяться квалифицированным специалистом. Для обеспечения регулярных проверок рекомендуется заключить договор на проведение технического обслуживания.

## Содержание общего характера - Описание горелки

### MAXFLAM 30 АВ ТС

**НАЗВАНИЕ**

MAXFLAM

**МОДЕЛЬ**

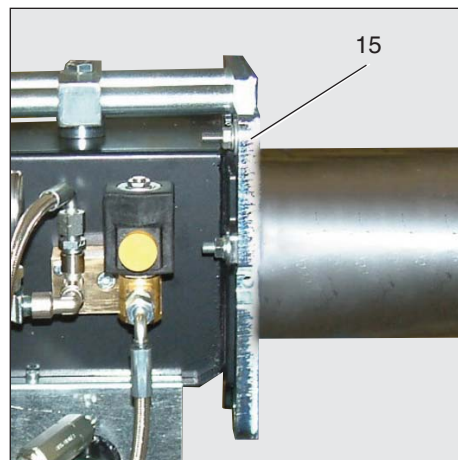
MAXFLAM 30

**Тип операции**

- 1 этапе  
**АВ** 2 этапе

**Головка типа**

**ТС** КОРОТКАЯ ОГНЕВАЯ ГОЛОВКА  
**ТЛ** ДЛИННАЯ ОГНЕВАЯ ГОЛОВКА



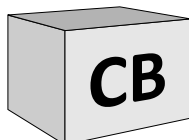
- A1 Siemens LMO14 Блок управления и безопасности
- M1 Электродвигатель вентилятора и насос
- T1 Устройство розжига
- 5 Винт крепления панели
- 9 Электрический щит
- 15 Фланец горелки
- 16 Release knob
- 102 Heavy-oil pump
- 103B Air regulation
- 113 Air intake

**Упаковка**

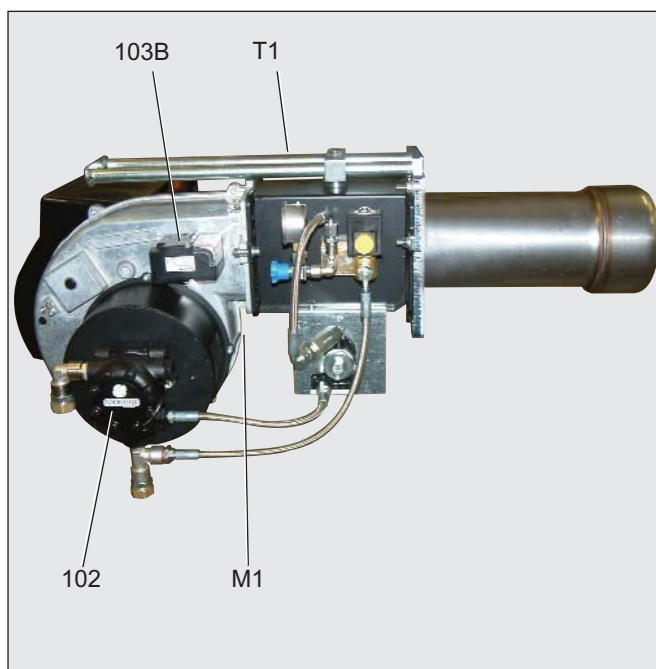
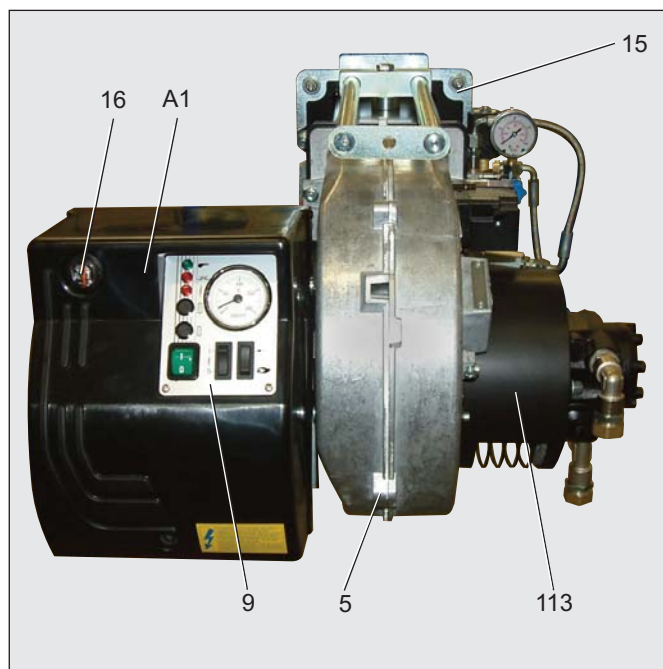
CB : ГОРЕЛКА В КОМПЛЕКТЕ

- 1 пакет

- многоязычное техническое руководство.
- фильтр и гибкие шланги.
- штепсель wieland.
- форсунка и ключ для форсунки.
- винты, гайки и шайбы.



**KIT & ACS заказываемые и поставляемые отдельно**



## Функция - Общие функции безопасности

### Работа

- Подать напряжение горелку.  
По достижении температуры, заданной рабочим термостатом, и при наличии сигнала от котла, блок управления запускает двигатель вентилятора, топливный насос и трансформатор розжига.  
Одновременно включаются нагревательные элементы. ТЭНы служат для поддержания постоянной температуры в бачке горелки.  
- Начинает работать электродвигатель, включается система розжига и начинается период предварительной вентиляции (25 секунд).  
- Во время предварительной вентиляции, топочная камера отслеживается на предмет обнаружения возможного наличия пламени.  
- По окончании предварительной вентиляции открываются электроклапаны мазут и происходит запуск горелки.

- Во время работы горелки система розжига отключена.

### Отключение регуляции

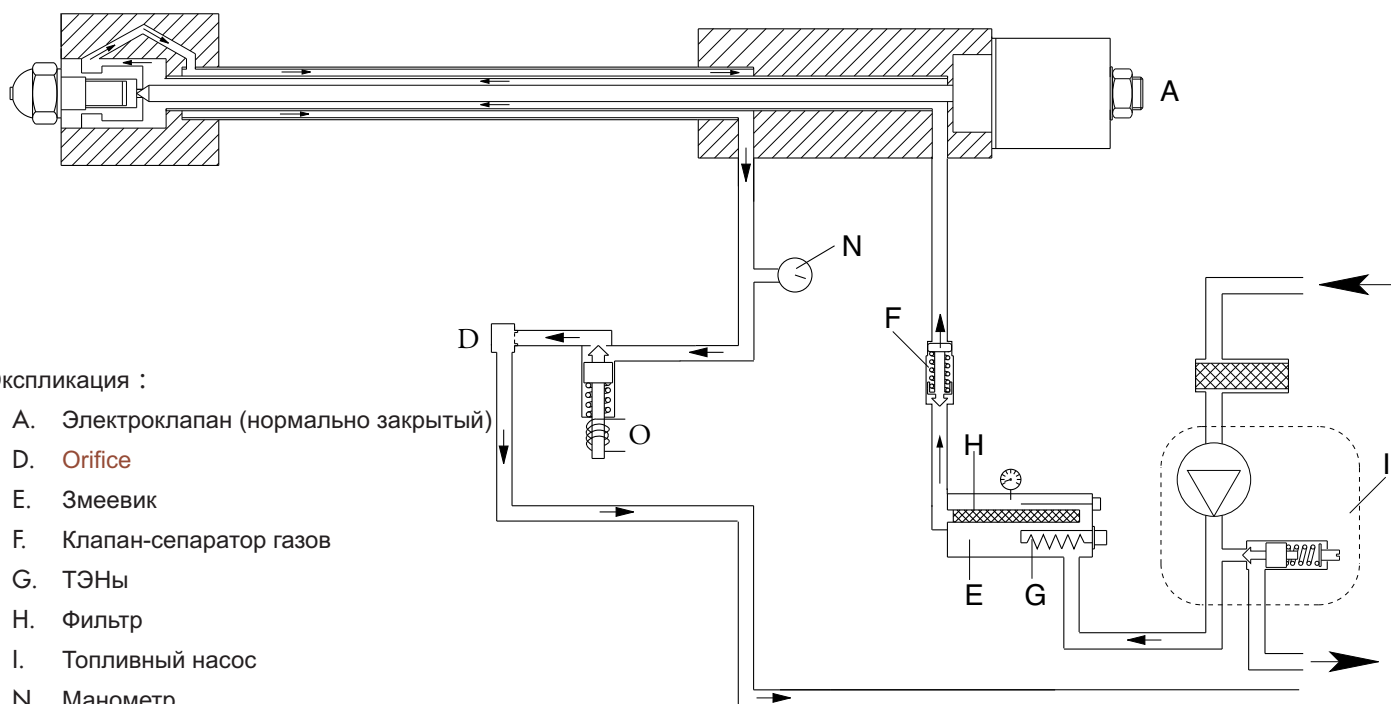
- Регулятор котла прерывает запрос на тепло.  
- Электромагнитные топливные клапаны закрываются и пламя гаснет.  
- Электродвигатель горелки останавливается.  
- Горелка готова к работе.

### Режим безопасности

Переход в режим безопасности происходит:

- если во время предварительной вентиляции появляется сигнал обнаружения пламени (паразитное пламя);  
- если при розжиге (открытие клапана) по истечении 5 секунд не появляется сигнал обнаружения пламени (время безопасности);  
- если, в случае случайного угасания

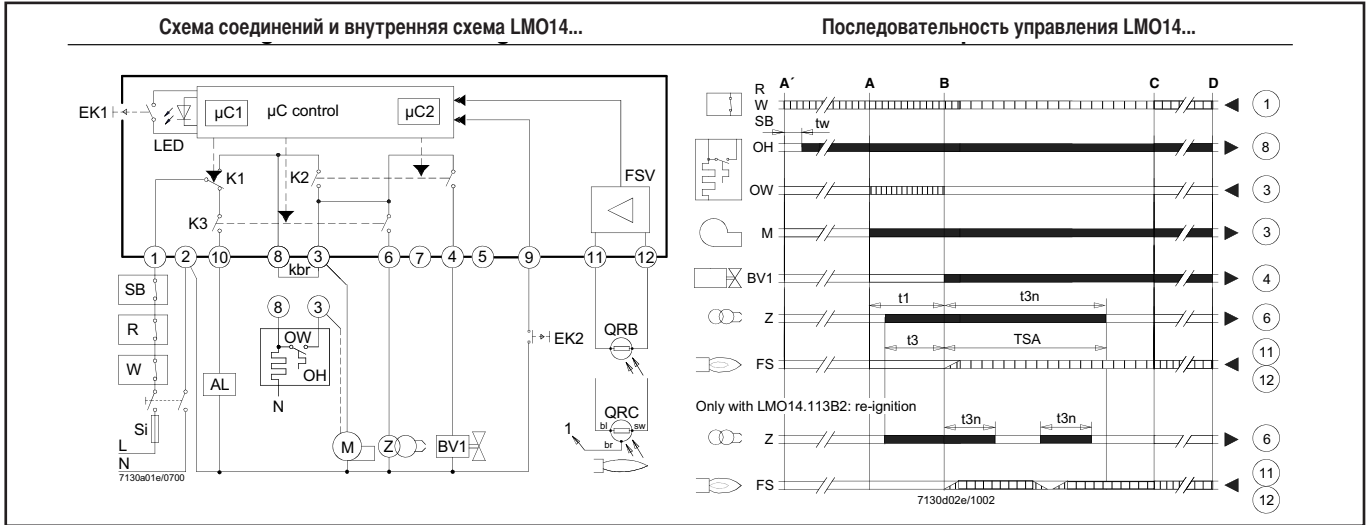
пламени и после попытки повторного розжига, пламя не появляется. Переход в режим безопасности сопровождается включением сигнальной лампы неисправности. После устранения причины неисправности разблокировка горелки выполняется нажатием на кнопку разблокировки. Более детальная информация приведена в описании блока управления и безопасности.



Экспликация :

- A. Электроклапан (нормально закрытый)
- D. Orifice
- E. Змеевик
- F. Клапан-сепаратор газов
- G. ТЭНы
- H. Фильтр
- I. Топливный насос
- N. Манометр
- O. Электроклапан (нормально открытый)
- N.C. = Norm. closed
- N.O. = Norm. open

## Функция - Блок управления и безопасности Siemens LMO14



**!** Перед тем как осуществить монтаж или демонтаж блока отключите устройство от электропитания. Открывать блок или производить ремонтные работы запрещено!

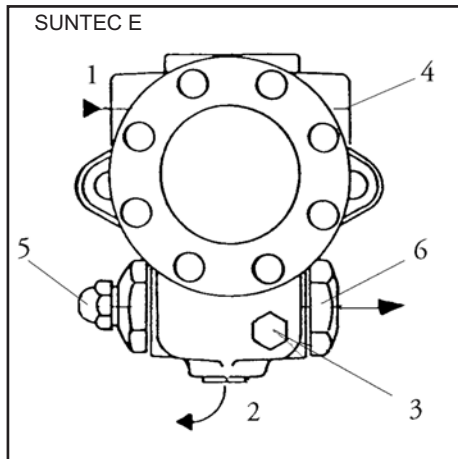
- AL Устройство тревожной сигнализации
- BV... Топливный клапан
- EK1 Кнопка сброса блокировки
- EK2 Кнопка дистанционного сброса блокировки
- FS Сигнал пламени
- FSV Усилитель сигнала пламени
- K... Контакты реле управления
- Kbr Кабельная линия (требуется, когда не используется жидкотопливного подогревателя)
- LED 3-х цветная сигнальная лампа
- M Мотор горелки
- OW Расцепляющий контакт жидкотопливного подогревателя
- OH Жидкотопливный подогреватель

- QRB... Фоторезистивный датчик пламени
- QRC... Датчик голубого пламени
- bl = синий, br = коричневый, sw = черный
- R Управляющее термореле или прессостат
- SB Ограничивающий термостат безопасности
- Si Внешний главный плавкий предохранитель
- W Ограничивающий термостат или реле давления
- Z Трансформатор зажигания
- TSA Время безопасности зажигания
- tw Время ожидания
- t1 Время предпродувки
- t1' Время продувки

- t3 Время предзажигания
- t3n Время постзажигания
- t4 Интервал между сигналом пламени и пуском «BV2»
- A' Старт цикла запуска с горелками, использующими «ОН»
- A Старт цикла запуска с горелками, не использующими «ОН»
- B Время стабилизации пламени
- C Рабочее положение
- D Управляемое выключение с помощью «R»

Состояние	Цветовой код	Цвет
Время ожидания «tw», другие виды ожидания	○ .....	Выкл
Жидк. топл. подогреватель включен, время ожидания «tw»	● .....	Желтый
Фаза зажигания, управ-мое зажигание	●○●○●○●○●○●○●○●○●○●○	Миг. желтый
Работа, пламя в порядке	□ .....	Зеленый
Работа, пламя не в порядке	□○□○□○□○□○□○□○□○□○	Миг.зеленый
Посторонний свет при пуске горелки	□▲□▲□▲□▲□▲□▲□▲□▲□▲	Зелено-красный
Минимальное напряжение	●▲●▲●▲●▲●▲●▲●▲●▲●▲●▲	Желто-красный
Отказ, сигнал тревоги	▲ .....	Красный
Вывод кода ошибки (обращайтесь к «Таблице кода ошибок»)	▲○▲○▲○▲○▲○▲○▲○▲○▲○▲○	Мигающий крас-ный
Интерфейсная диагностика	▲▲▲▲▲▲▲▲▲▲▲▲▲▲▲▲▲▲▲▲	Миг.красн.свет
Обозначение: .....	▲ Красный □ Зеленый ○ Выкл ● Желтый	

# Функция - Насос горелки



- 1 Всасывающий штуцер.
- 2 Нагнетательный штуцер.
- 3 Точка подключения манометра (давление топлива).
- 4 Точка подключения манометра (разрежение).
- 5 Регулирование давления дизельного топлива.
- 6 Штуцер давления.

Насос, используемый в горелке мазут – это насос шестерённый самовсасывающий насос, который должен быть соединён с однотрубной системой; в систему труб аспирации вставить фильтр. В насос встроены фильтр аспирации и регулятор давления мазут. Перед вводом в эксплуатацию аппарата

подключить манометры для измерения давления и разрежения.

**Примечание:** Перед запуском горелки проверить, чтобы обратный клапан был открыт. Любое препятствие может вызвать повреждения прокладки насоса.

### ИДЕНТИФИКАЦИЯ НАСОСА

(Не все возможные конфигурации насосов имеются в наличии. За консультацией обращайтесь к местному представителю компании Zintec).

Е : Регулировка давления

Мощность шестерен (см. характеристику насоса)

Фильтр

Направление вращения вала и положение сопла (с торца вала)  
 А: по час. стрелке / послано справедливо.  
 С: против. час. стрелки / послано налevo

**E 4 N C 1 069 7 P**

Установка фланца

069 : Место для ТЭНа модель без функции выключения

Номер модификации

установка **Р: ДВУХТРУБНАЯ СИСТЕМА**  
 Байпасная пробка в возвращенном порте

## TECHNICAL DATA

### Общие сведения

Вид крепления	Фланцевое
Резьба соединений	Цилиндрическая, согл. ISO228/1
Входной и обратный т/провод	G 1/2"
Т/провод к форсунке	G 1/4"
Гнездо манометра	G 1/8"
Гнездо вакуумметра	G 1/2"
Функция клапана	Давление регулируя без выключения
Фильтр	поверхностный профит : 45 cm2 фильтрация степень : 550 µm
Вал	Ø 11 mm
Байпасная пробка	введено в возвращенное отверстие В 2х-трубной системе; В 1-трубной системе: демонтировать 6-гранным ключом разм. 3/16"
Вес	4 кг

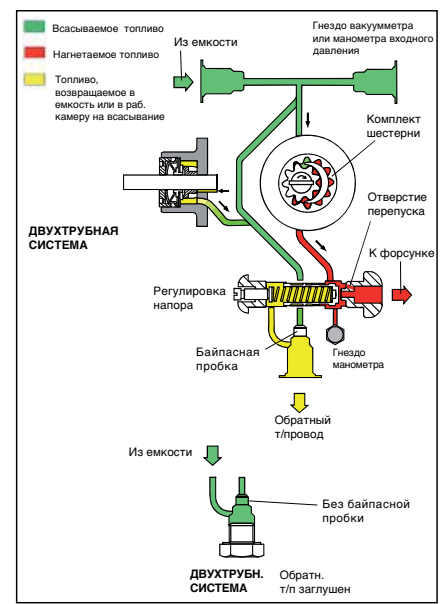
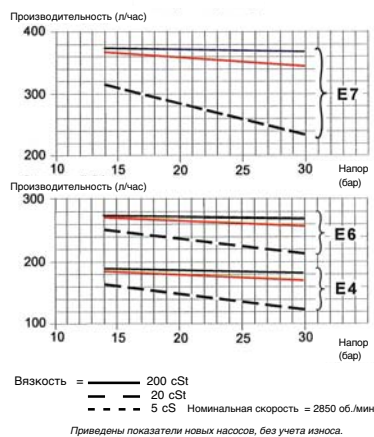
### Гидравлические характеристики

Диапазон давления в форсунке	14 - 30 бар
Заводская регулировка давления	20 бар
Рабочая вязкость	3 - 75 cSt
Температура дизтоплива	0 - 130°C max. in the pump
Давление на входе	Дизтопливо : разрежение не более 0,45 бар во избежание отделения воздуха Мазут: не более 3,5 бар.
Давление в обратн. т/п	Дизтопливо: не более 3,5 бар Мазут: не более 3,5 бар
Номинальная скорость двигателя	не более 3600 об./мин
Крутящий момент	0,3 N.m

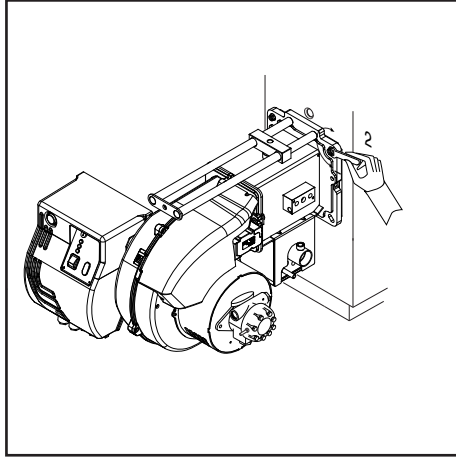
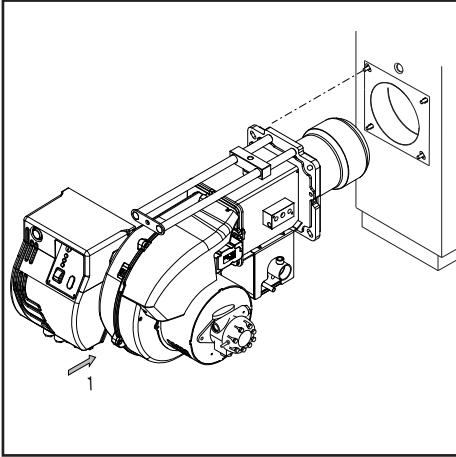
### ТЭН

Кожух	Ø 12 mm
Крепление	согласно EN 50262
Номинальная мощность	50-80 W

### Потребляемая мощность



## Установка - Установка горелки



### Монтаж горелки

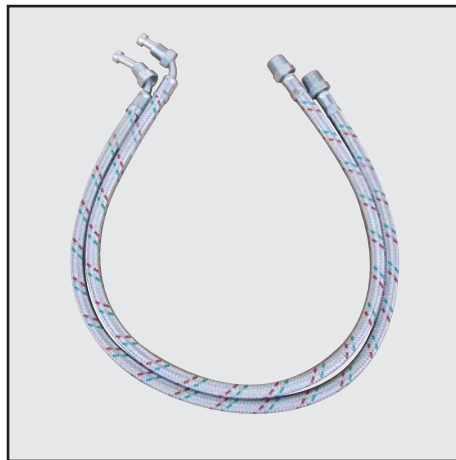
Горелка крепится к фланцу подключения и, следовательно, к котлу, таким образом, камера сгорания будет закрыта герметически.

### Монтаж :

- Закрепить фланец креплением к котлу винтами.

### Демонтаж :

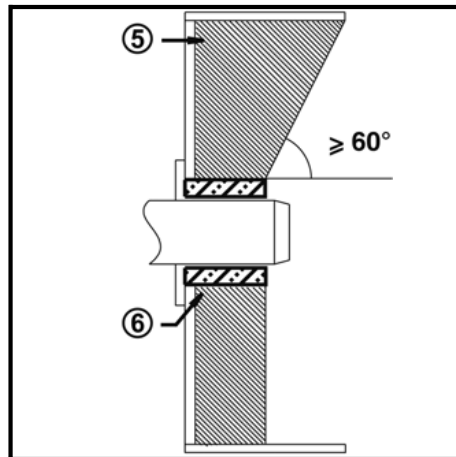
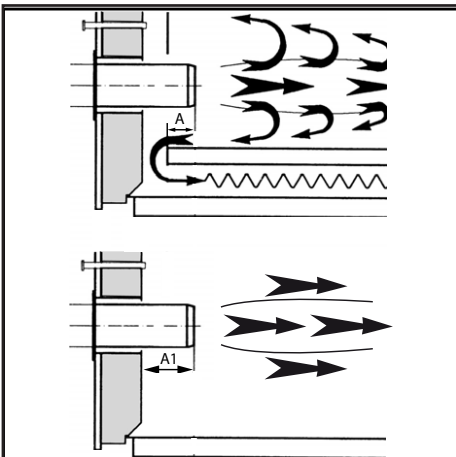
- Ослабить винт.
- To slowly slide the the burner from the boiler.



### Подключение топливопровода

Этот фильтр должен устанавливаться так, чтобы обеспечивалась правильная прокладка шлангов.

Шланги не должны пережиматься.



### Глубина установки сопла горелки и огнеупорное уплотнение

Для котлов без охлаждения передней стенки и при отсутствии других указаний со стороны производителя котла, необходимо выполнить огнеупорную вставку или теплоизоляцию (5), как показано на рисунке слева.

Огнеупорная вставка не должна заходить за передний край сопла горелки, а угол ее конического скоса не должен превышать 60°. Воздушный промежуток (6) должен быть заполнен эластичным и невоспламеняемым теплоизоляционным материалом.

Для котлов при выборе глубины сопла горелки необходимо руководствоваться указаниями производителя котла.

Колонки с обратным пламенем:

A = 50-100 мм.

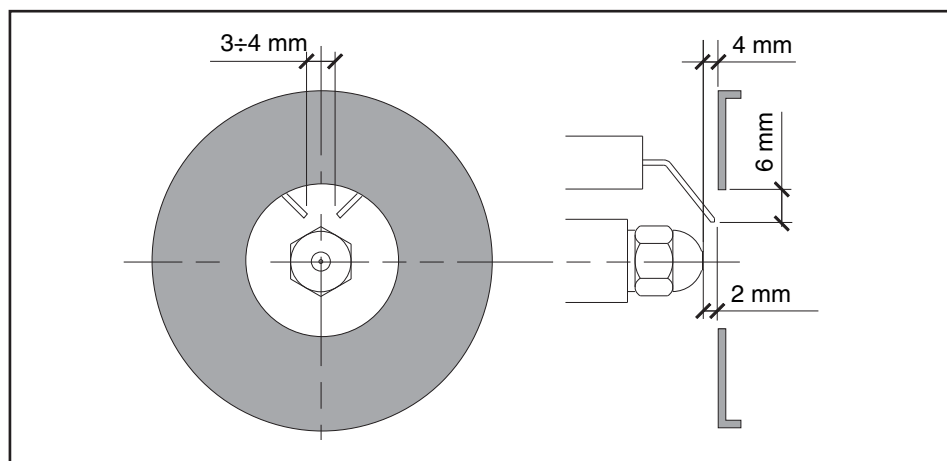
Колонки с тройной дымовой спиралью:

A1 = 50-100 мм.

### Система отвода продуктов горения

Для предотвращения неприятного шума не рекомендуется применять для соединения котла с дымоходом соединительные детали с проходным каналом, изогнутым под прямым углом.

## Установка - Подключение к электросети - Необходимые проверки перед пуском в эксплуатацию



### Электроподключение

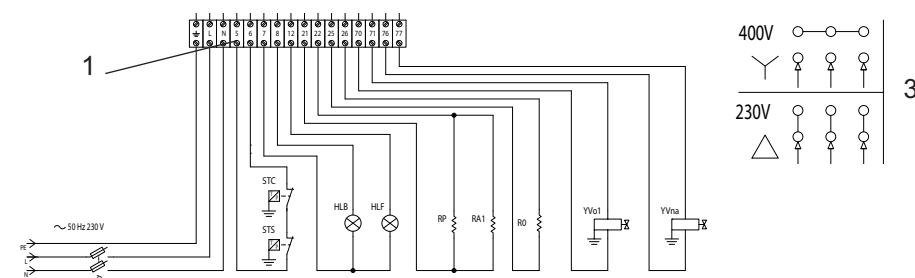
Электропроводка и все работы по подключению к сети должны выполняться только квалифицированным электриком. Должны выполняться действующие предписания и директивы. Установка электропитания должна быть оснащена дифференциальным выключателем типа А.

**Строго соблюдать действующие предписания и директивы, помимо электросхемы, поставляемой с горелкой!**

- Убедитесь, что напряжение электропитания соответствует указанному рабочему напряжению в электросхеме и табличке с данными.
- Защита горелки : 5 А

### Подключение разъемами

Горелка должна быть изолирована от сети с помощью всеполюсного размыкателя, соответствующего



действующим стандартам. Горелка и теплогенератор (котел) подключены к клеммной колодке кабинета (рис.1).

### Горелки производятся с соединениями, предназначенными для трехфазного электропитания 380-400В.

Горелки с электродвигателями мощностью 3 кВт или менее могут быть адаптированы под 220-230В (пожалуйста, следуйте инструкции на обратной стороне); электродвигатели большей мощности могут работать только при трехфазном электропитании 380-400В. Если требуемое исполнение горелки отличается от вышеупомянутого стандарта, рекомендуется сделать отдельное примечание при заказе.

### Инструкция: как адаптировать электродвигатели мощностью 3 кВт или менее под электропитание 220-230В

### Положение электродов

После замены форсунки обязательно проверьте положение электродов (см. рис.). Неправильное положение электродов может затруднить розжиг горелки.

Напряжение горелки можно изменить путем следующих действий:

1. Изменить соединение внутри клеммной коробки двигателя со “звезды” на соединение треугольником (см. рисунок 3);
2. Изменить настройку термореле в соответствии со значениями, указанными на шильдике двигателя. Если необходимо, замените термореле другим, с подходящей шкалой. Вышеуказанные действия невозможны для электродвигателей мощностью выше 3 кВт. Для более подробной информации, пожалуйста, свяжитесь с Ecoflam.



### Проверки перед пуском в эксплуатацию

Перед первым запуском следует проверить следующее:

- Убедитесь, что горелка установлена согласно настоящей инструкции.
- Предварительная регулировка горелки выполнена правильно, согласно указанным в таблице регулировок значениям.
- Настройка органов горения
- Теплогенератор должен быть готов к работе согласно инструкции по его использованию.
- Все электрические соединения выполнены правильно.
- Теплогенератор и система отопления

заполнены достаточным количеством воды. Циркуляционные насосы действуют.

• Регуляторы температуры и давления, устройство защиты от недостатка воды, а также другие предохранительные и защитные устройства, используемые на установке, правильно подсоединены и действуют.

• Вытяжная труба должна быть прочищена.

Устройство для подачи дополнительного воздуха, если оно установлено, в рабочем состоянии.

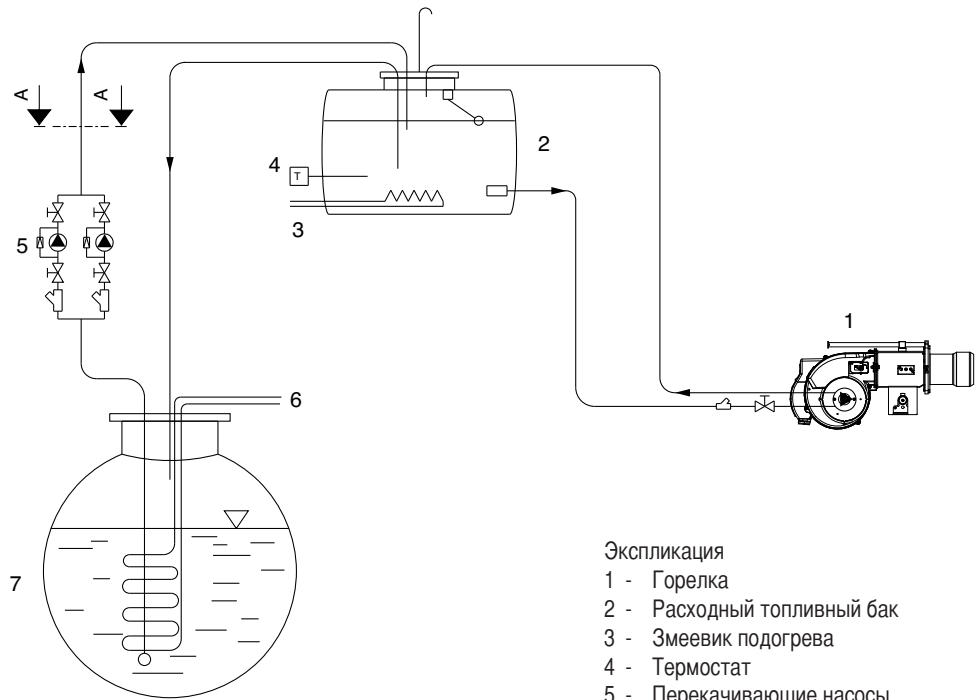
• Гарантирована подача свежего

воздуха.

- Получен запрос на тепло.
- Баки заполнены топливом.
- Топливопроводы установлены согласно техническим нормам, прочищены и проверена их герметичность.
- Согласно существующим нормам на вытяжной трубе должна находиться точка измерения. До этого места труба должна быть герметичной для того, чтобы подсос наружного воздуха не повлиял на результаты измерений.

## Установка - Линия питания горючего

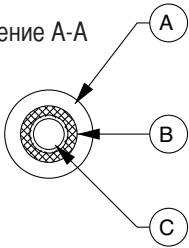
Схема подачи мазута с вязкостью не более 15°Е при 50°С



Экспликация

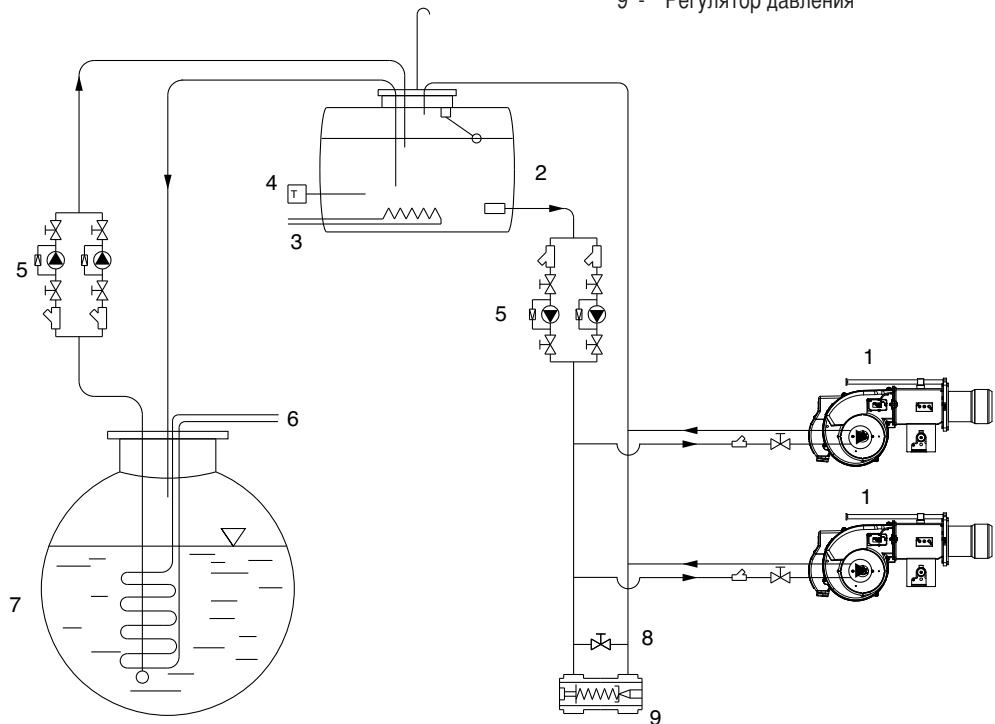
- 1 - Горелка
- 2 - Расходный топливный бак
- 3 - Змеевик подогрева
- 4 - Термостат
- 5 - Перекачивающие насосы
- 6 - Змеевик подогрева
- 7 - Топливный бак
- 8 - Байпас
- 9 - Регулятор давления

Сечение А-А



Экспликация

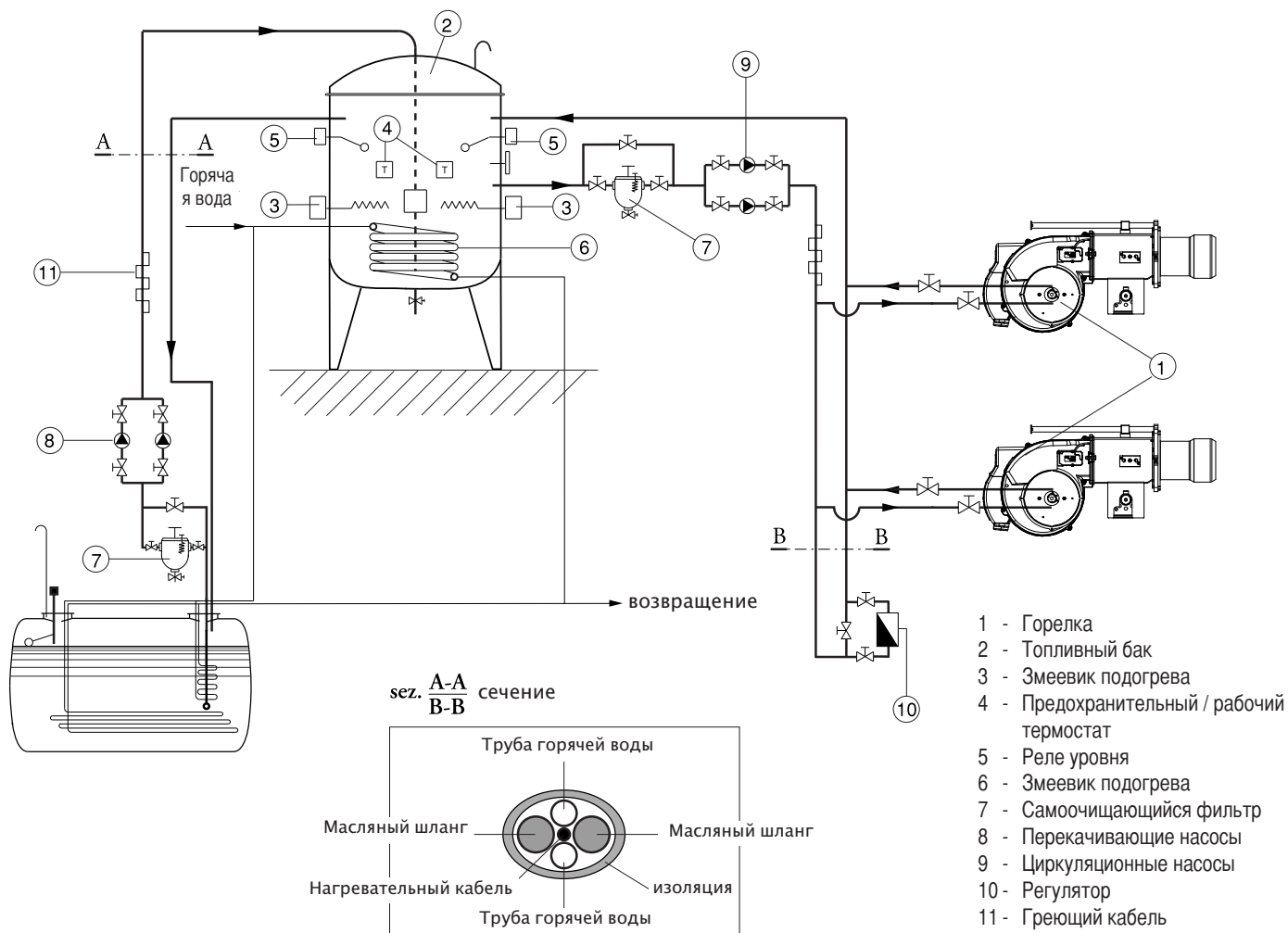
- А - Изоляция
- В - Греющий кабель
- С - Топливопровод



**ВНИМАНИЕ:** Все топливопроводы должны быть оснащены греющим кабелем и изолированы (см. сеч. А-А).

# Установка - Линия питания горючего

Схема подачи мазута с вязкостью не более 50°E при 50°С



**ВНИМАНИЕ:** Все топливопроводы должны быть оснащены греющим кабелем и изолированы (см. сеч. А-А).

## Ввод в эксплуатацию - Данные конфигурации - Регулировка подачи воздуха

Maxflam 10						
Расход kW	противодавление в камере сгорания mbar	Расход kg/h	ФОРС УНКА 60° НО	Давление топливного насоса бар	РЕГУЛИРОВАКА ОГНЕВОЙ ГОЛОВКИ	РЕГУЛИРОВАКА РАСХОДА ВОЗДУХА
68		6	1,00	23	1	2,20
91		8	1,25	23	1	2,80
108		9,5	1,50	23	1	3,50
136		12	2,00	21	2	4,50

Maxflam 20						
Расход kW	противодавление в камере сгорания mbar	Расход kg/h	ФОРС УНКА 60° НО	Давление топливного насоса бар	РЕГУЛИРОВАКА ОГНЕВОЙ ГОЛОВКИ	РЕГУЛИРОВАКА РАСХОДА ВОЗДУХА
108		9,5	1,50	23	1	3,50
142		12,5	2,00	23	2	4,50
179		15,8	2,50	23	2	5,50
227		20	3,00	23	3	8,00

Maxflam 30						
Расход kW	противодавление в камере сгорания mbar	Расход kg/h	ФОРС УНКА 60° НО	Давление топливного насоса бар	РЕГУЛИРОВАКА ОГНЕВОЙ ГОЛОВКИ	РЕГУЛИРОВАКА РАСХОДА ВОЗДУХА
171	1,2	15	2,50	23	1	1,25
205	1,5	18	3,00	23	2	1,5
239	1,8	21	3,50	23	2	1,8
<b>274</b>	<b>2</b>	<b>24</b>	<b>4,00</b>	<b>23</b>	<b>3</b>	<b>2</b>
308	2,3	27	4,50	23	3	2,5
342	1	30	5,00	23	4	3

Указанные выше регулировки – это основные регулировки. С этими установками, обычно, горелка может быть введена в эксплуатацию. Регулировка должна быть проверена с

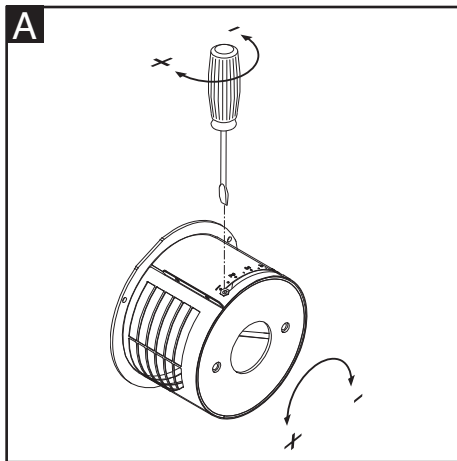
использованием анализатора сгорания. Могут стать необходимыми корректировки, подчиняющиеся отдельной установке. Благоприятных значений показателей

сгорания можно достичь посредством использования следующих форсунок :

DANFOSS H+S 80°+60°

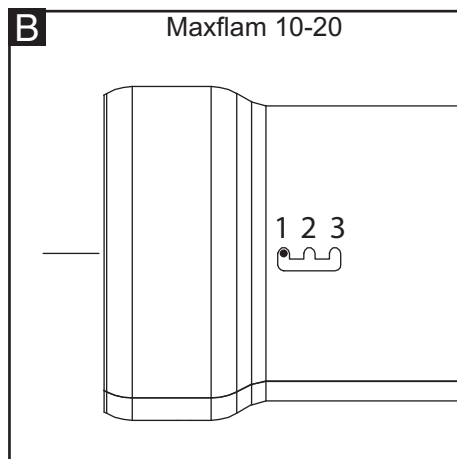
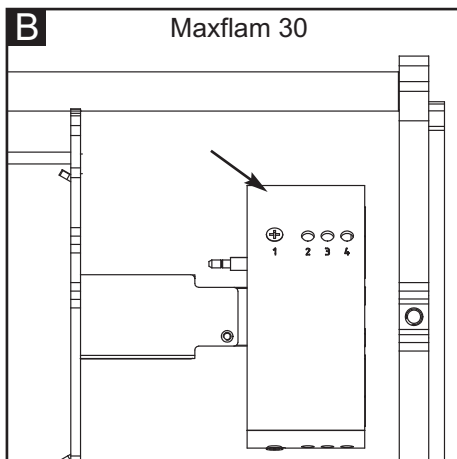
DELAVAN W 60°

STEINEN S 60°



### Регулировка воздуха (А).

Повернуть винт, как на рисунке:  
 • повернуть заслонку, пока не будет достигнуто требуемое значение.



### Регулировка огневой головки (В).

Снять горелку с фланца. Изменить положение хомута (1,2,3,4) на головке, повернув винт отверткой вплоть до получения нужного значения. Зафиксировать хомут и восстановить горелку на фланце.

## Ввод в эксплуатацию - Регулировка горелки - Регулировка давления дизельного топлива



**Опасность вспышки!** Постоянно контролируйте содержание CO, CO<sub>2</sub> и дымовые выбросы в процессе регулировки. В случае образования CO оптимизируйте значения горения. Содержание CO не должно превышать 50 пропромилле.

### Запуск горелки

Перед запуском горелки заполнить систему труб до заполнения фильтра газойля. Затем, запустите горелку, включив регулятор котла. Для обеспечения полного удаления воздуха из топливопровода во время фазы предварительной вентиляции откройте винт продувки на топливном фильтре. При этом разрежение не должно опускаться ниже 0,4 бар. Когда фильтр полностью заполнится топливом и топливо появится на поверхности без пузырьков воздуха, закройте винт продувки.

### Регулировка мощности горелки

Отрегулировать давление газойля таким образом, что горелка будет иметь желаемую мощность, поворачивая регулятор давления. Всегда проверяйте показатели сгорания (CO, CO<sub>2</sub>, показатель задымленности). При необходимости, измените расход воздуха, пр необходимости увеличив его.

### Оптимизация показателей сгорания

В случае неудовлетворительных значений показателей сгорания изменить положение огневой головки. Таким образом будут изменены поведение при запуске и показатели сгорания. При необходимости компенсируйте изменение расхода воздуха, регулируя положение воздушной заслонки.

**Внимание! Соблюдайте минимальную необходимую температуру топочных газов, следуя указаниям производителя котла и принимая во внимание тип вытяжных труб, чтобы избежать эффекта конденсации.**

### Регулирование давления дизельного топлива

Для регулировки давления газойля (и, следовательно, мощности горелки) повернуть регулятор давления 5 насоса.

Поворот:

- вправо: увеличение давления

- влево: уменьшение давления

Для контроля необходимо подключить манометр к подсоединению, манометр 3, резьба R1/8".

### Контроль разрежения

Вакуумметр для контроля разрежения устанавливается в точке измерения 4, резьба R1/8".

Максимальное допустимое разрежение: 0,4 бар. При большем разрежении топливо превращается в газ, что приводит к возникновению треска в насосе и его повреждению.

### РЕГУЛИРОВАНИЕ ТОПЛИВНЫХ ТЕРМОСТАТОВ

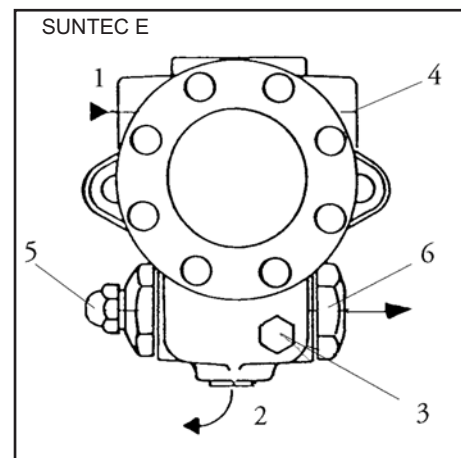
Рабочий термостат нагревательных элементов устанавливается на 100°-140°С, а предохранительный задан. Эти значения могут незначительно изменяться в зависимости от типа

топлива и иных условий эксплуатации.  
А - Рабочий термостат (100°-140° С).  
В - Увольнение главы термостат (120°-140° С).

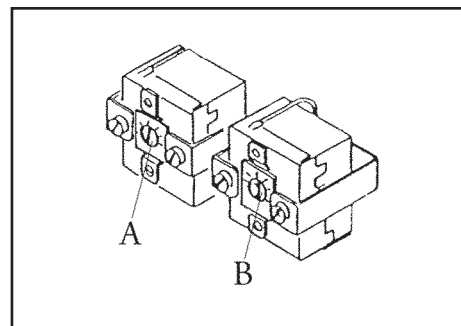
### Контроль работы

Технический контроль безопасного горения должен осуществляться как при первом пуске, так и после проведения ремонта, осмотров или продолжительного простоя оборудования.

- Попытка запуска с перекрытым фотоэлементом детектора пламени: по истечении времени безопасности блок управления и безопасности должен перейти в двигаться аномалия.
- Попытка запуска с освещенным фотоэлементом детектора пламени: после 5-секундной предварительной вентиляции блок управления и безопасности должен перейти в двигаться аномалия.
- Обычный пуск: если горелка работает, перекройте фотоэлемент детектора пламени: после нового запуска по истечении времени безопасности блок управления и безопасности должен перейти в двигаться аномалия.



- 1 Всасывающий штуцер.
- 2 Нагнетательный штуцер.
- 3 Точка подключения манометра (давление топлива).
- 4 Точка подключения манометра (разрежение).
- 5 Регулирование давления дизельного топлива.
- 6 Штуцер давления.



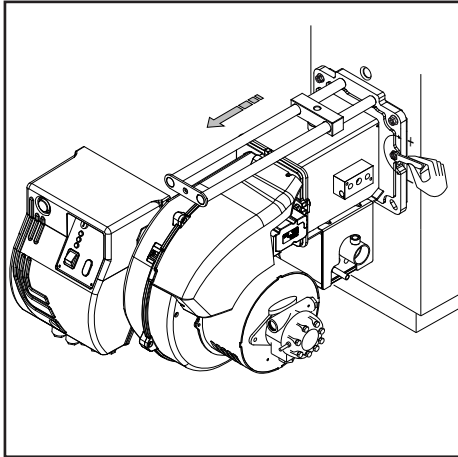
<b>Регистрация данных о вводе в эксплуатацию</b>		
Тест		
Дата	n°1	n°2
Модель		
Тип мазута		
Значение калорийности мазута		
Мощность горелки	min	кВт
Мощность горелки	max	кВт
Температура дыма		С°
Температура воздуха		С°
CO <sub>2</sub>		%
CO		ppm
NOx		ppm
КПД		%
Корректирующие действия		
Имя оператора		
Предприятие		

## Техническое - Работы по техническому обслуживанию

**Работы по техническому обслуживанию котла и горелки должны выполняться только специалистом-теплотехником. Для обеспечения регулярного обслуживания пользователю рекомендуется заключить договор на техническое обслуживание.**

### Внимание

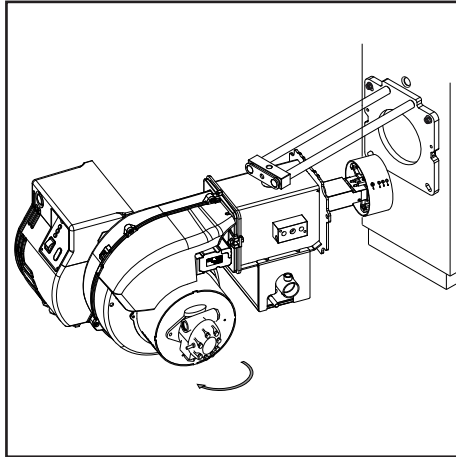
• Перед выполнением любых работ по техническому обслуживанию и очистке отключите электропитание.



• Блокирование и компоненты головки могут быть горячими.

### Проверка температуры топочных газов

- Регулярно проверяйте температуру дымовых газов.
- Выполняйте очистку котла, если температура продуктов сгорания более чем на 30° С превышает значение температуры, измеренное при пуске горелки в эксплуатацию.
- С целью упрощения контроля установить дисплей для визуализации



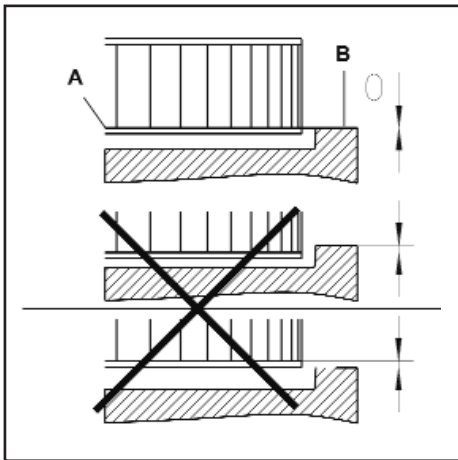
температуры выхлопных дымов.

### Положения техобслуживания

- Открутив крепежные винты горелки на фланце, можно снять ее и повернуть в положение обслуживания для: замены форсунки
- замены / регулировки электродов
- чистки / замены диска
- регулировки головки

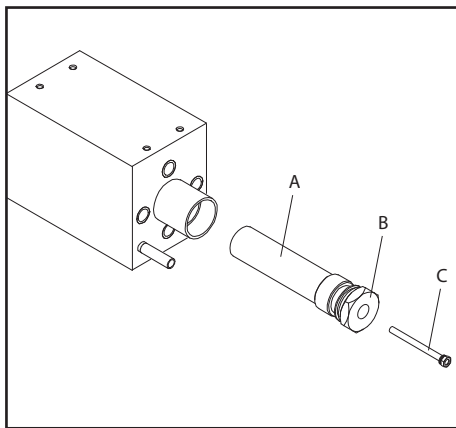
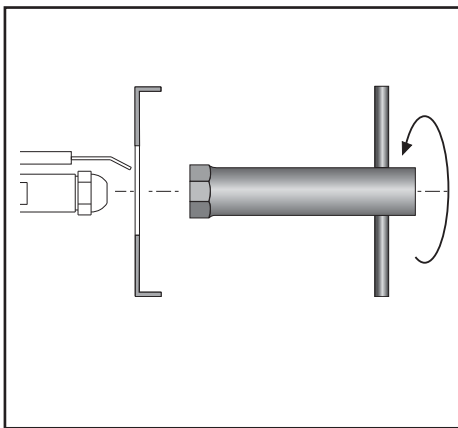
### Положения для технического обслуживания

- Проверьте рабочее колесо вентилятора и корпус и убедитесь, что они не повреждены.
- Проверьте и очистите головку горелки.
- Замените форсунку.
- Проверьте электроды, при необходимости отрегулируйте или замените их.
- Установите головку горения.
- Проверьте регулировки.
- Установите горелку.
- Запустите горелку, проверьте процесс сгорания и, при необходимости, откорректируйте регулировки горелки.
- Положение для технического обслуживания
- Все компоненты системы подачи топлива (шланги, насос, трубка соединения с линией форсунки) и их соединения должны быть проверены (герметичность, износ) и, при необходимости, заменены.
- Проверьте все электрические подключения и кабели, при необходимости замените их.
- Проверьте состояние фильтра насоса и, при необходимости, очистите его.



### Агрегат вентилятора

При замене электродвигателя или рабочего колеса, сверяйтесь с приведенной напротив схемой установки. Внутренняя сторона А фланца рабочего колеса должна быть на одном уровне с панелью В. Вставьте линейку между лопатками рабочего колеса и приведите элементы А и В к одному уровню. Затянуть винт без головки с надрезом на крыльчатке вентилятора.



### ОБСЛУЖИВАНИЕ ФИЛЬТРОВ БАЧКА-ПОДОГРЕВАТЕЛЯ

- 1 - Выключить горелку и дать ей остыть.
- 2 - Снять колбу масляного термометра С.
- 3 - Ослабить винт В и слить из бачка мазут, так чтобы его уровень опустился ниже фильтра
- 4 - Отвинтить и извлечь из посадочного гнезда шток А.
- 5 - После чистки фильтра собрать его как показано на рисунке и вставить в посадочное гнездо.

Напоминаем, что во время работы горелки бачок-подогреватель находится под давлением приблизительно 23 бар, поэтому проводить вышеописанные работы при работающей горелке очень опасно.

### Чистка и замена форсунки

Для демонтажа форсунки пользуйтесь исключительно имеющимся в комплекте ключом. Обратите внимание на то, чтобы не повредить электроды.

Установите новую форсунку, при этом монтаж следует выполнять с максимальной осторожностью. NB: После замены форсунки обязательно проверьте положение электродов (см.

рис.). Неправильное положение электродов может затруднить розжиг горелки.

## Техническое - Возможные неполадки

### Причины неисправностей и способы их устранения

При отклонениях от нормы, должны быть проверены нормальные условия для работы горелки:

1. Есть электрический ток?
2. Есть топливо в баке?
3. Все запорные краны открыты?
4. Правильно ли настроены все регулирующие и предохранительные устройства, такие как термореле котла, предохранитель от недостатка воды, электрические концевые выключатели?

В случае, если после контролей в названных точках аномалия

сохранится, пользоваться следующей таблицей.

Ни один из существенных компонентов системы безопасности не должен ремонтироваться; эти компоненты должны заменяться компонентами с таким же обозначением.

### Используйте только оригинальные запасные части.

### ВВ: После проведения любых работ:

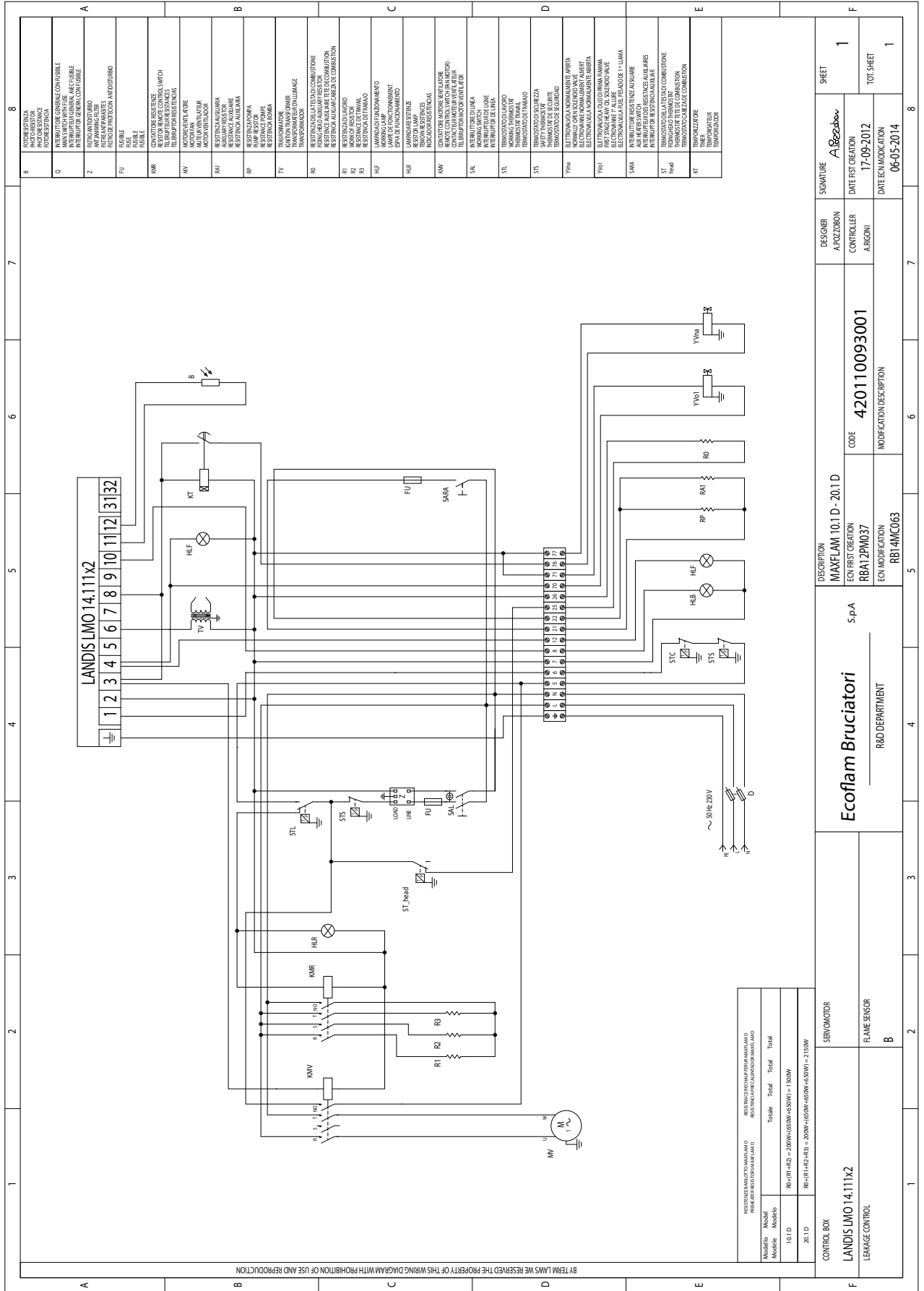
- выполните проверку параметров горения в реальных условиях эксплуатации (дверцы закрыты, крышка

на месте и т. д.).

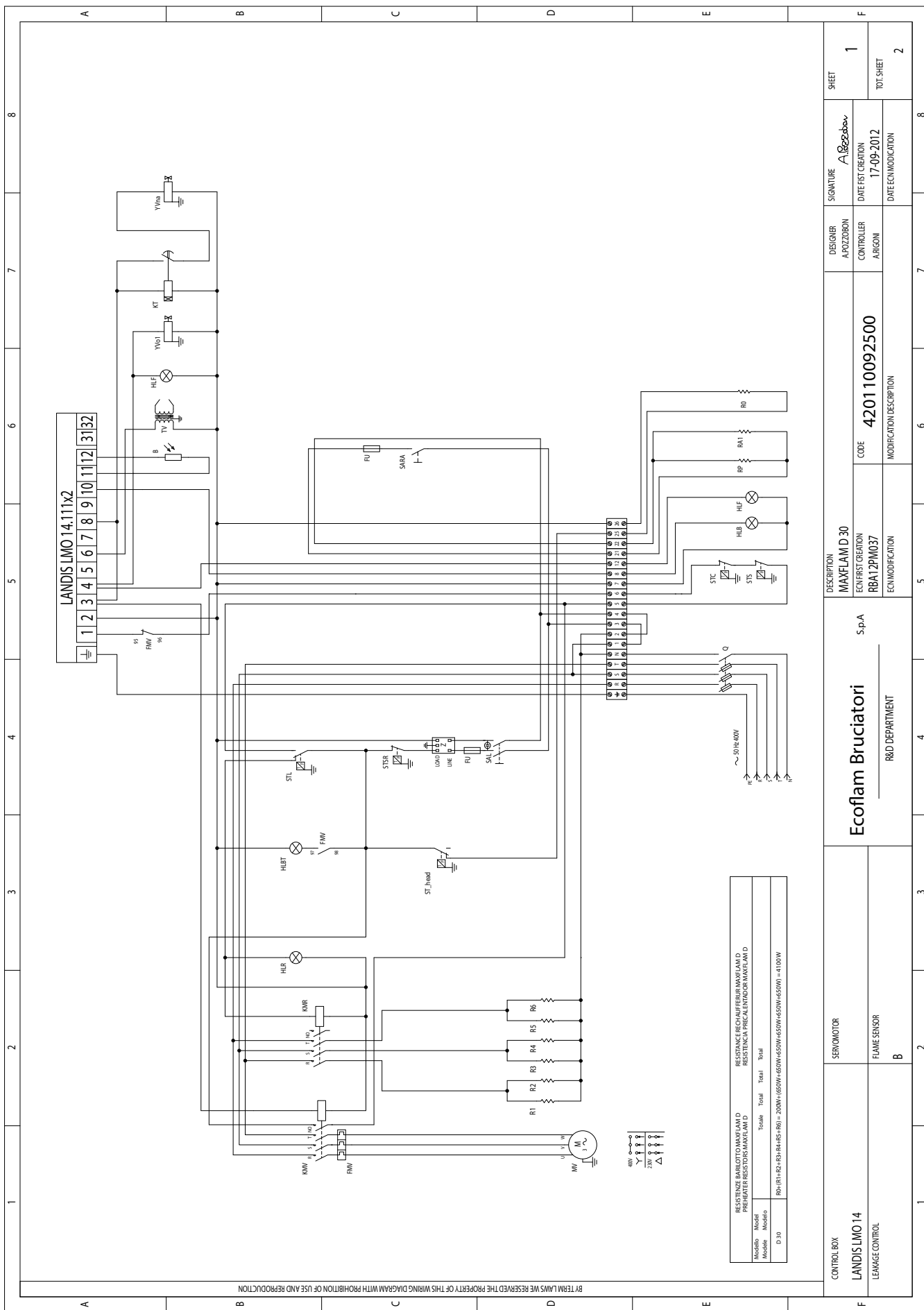
- отрегулировать параметры сгорания в технических документах станции.

Таблица кода ошибок		
Код красного мигания сигнальной лампы (LED)	«AL» на клм.10	Возможная причина
2 мигания	Вкл	Нет стабилизации пламени в конце «TSA» - неисправные или грязные топлив. клапаны - неисправный или грязный датчик пламени - плохая настройка горелки, нет топлива - неисправная система зажигания
3 мигания	Вкл	Не имеется
4 мигания	Вкл	Посторонний свет при пуске горелки
5 мигания	Вкл	Не имеется
6 мигания	Вкл	Не имеется
7 мигания	Вкл	Частое пропадание пламени во время работы (ограничение количества повторений) - неисправные или грязные топлив. клапаны. - неисправный или грязный датчик пламени - плохая настройка горелки.
8 мигания	Вкл	Время контроля жидкотоплив.подогревателя. - жидкотопливный подогреватель отказал 5 раз во время предпродувки
9 мигания	Вкл	Не имеется
10 мигания	off Вкл	Ошибка в разводке проводов или внутренняя ошибка, контакты вывода, другие отказы 3-х кратный временной отказ контактов вывода

Overview - Electric diagrams / Panoramica - Schemi elettrici / Vue d'ensemble - Schémas électrique / Descripción - Esquemas eléctrico / Обзор - Электрические схемы



Overview - Electric diagrams / Panoramica - Schemi elettrici / Vue d'ensemble - Schémas électrique / Descripción - Esquemas eléctrico /  
Обзор - Электрические схемы



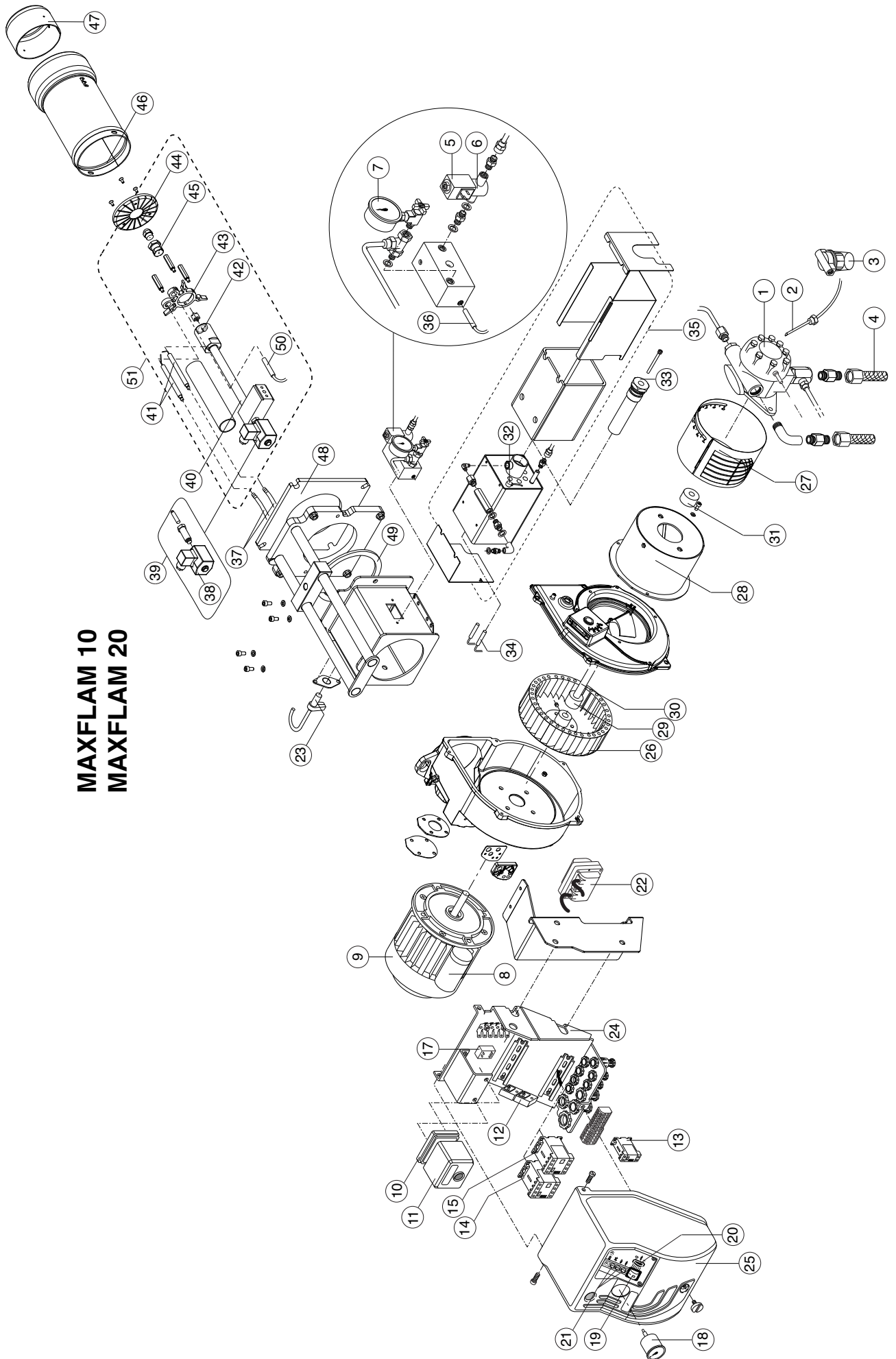
CONTROL BOX LANDIS LMO 14 LEAKAGE CONTROL	SEMI/O MOTOR	Ecoflam Bruciatori S.p.A R&D DEPARTMENT	DESCRIPTION MAXIFLAM D 30	DESIGNER A. POZZOBON	SIGNATURE <i>A. Pozzobon</i>	SHEET 1
	FLAME SENSOR B		CODE 420110092500	DATE/FIRST CREATION 17-09-2012	CONTROLLER A. RIGNOLI	DATE/REVISION 17-09-2012

BY TERM LAMS WE RESERVED THE PROPERTY OF THIS WIRING DIAGRAM WITH PROHIBITION OF USE AND REPRODUCTION



Overview - Spare parts list / Panoramica - Parti di ricambio / Vue d'ensemble - Pièces de rechange / Descripción - Piezas de recambio /  
Обзор - Запчасти

**MAXFLAM 10**  
**MAXFLAM 20**



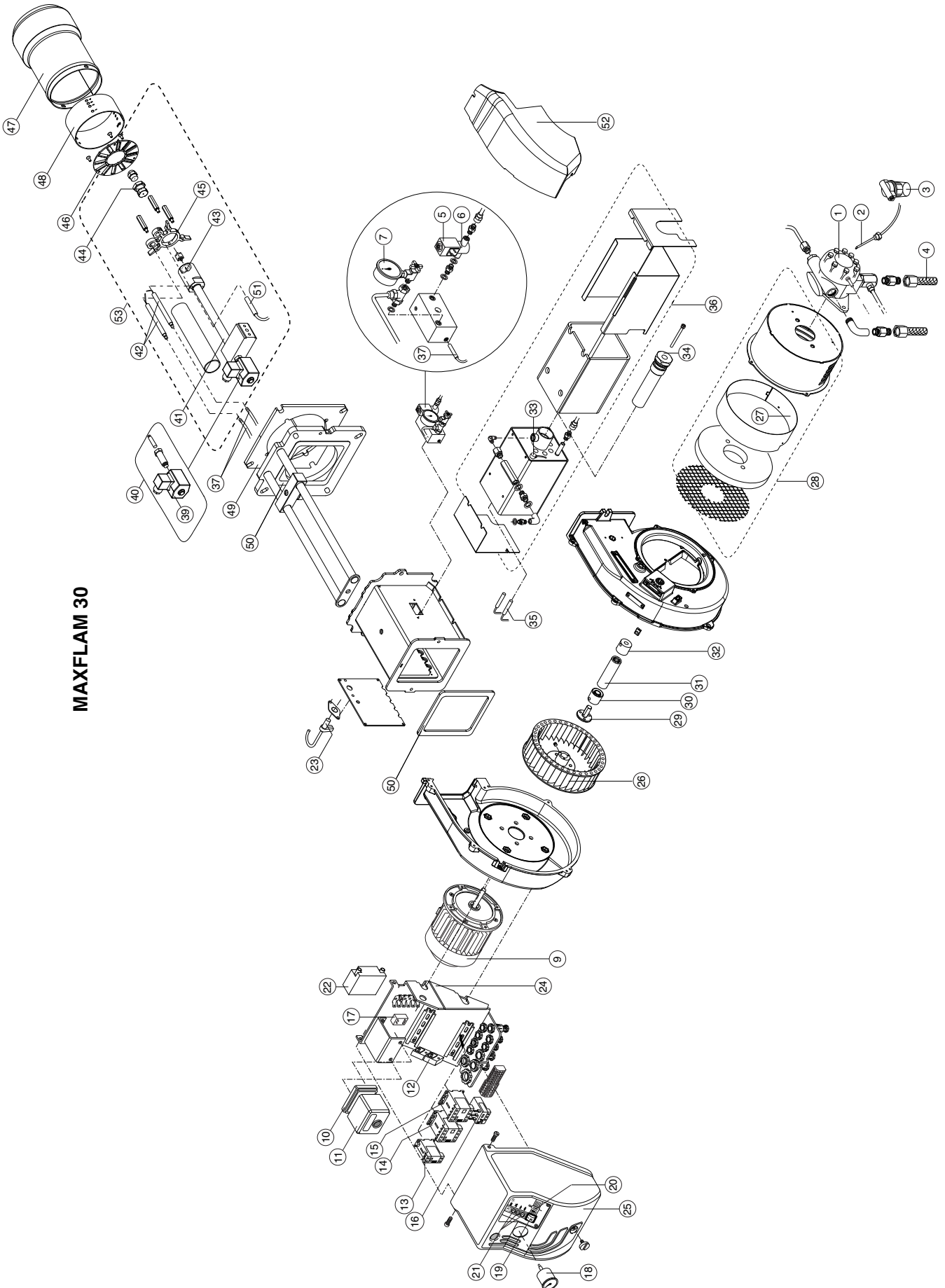
Overview - Spare parts list / Panoramica - Parti di ricambio / Vue d'ensemble - Pièces de rechange / Descripción - Piezas de recambio /  
Обзор - Запчасти

N° DESCRIPTION	DESCRIZIONE	НАИМЕНОВАНИЕ	MAXIFLAM 10 code	MAXIFLAM 20 code
1 PUMP	POMPA	НАСОС	SUNTEC E-4NC 10695	65322954
2 HEATING ELEMENT PUMP	RESISTENZA	НАГРЕВАТЕЛЬНЫЙ ЭЛЕМЕНТ	50 W	65323072
3 FILTER	FILTRO	ФИЛЬТР	70104-03	65324806
4 HOSES	FLESSIBILI	ГИБКИЕ ШЛАНГИ	TN 18X1500	65323182
5 COIL	BOBINA	КАТУШКА	Parker JB 18	65323781
6 VALVE	ELETTROVALVOLA	ЭЛЕКТРОКЛАПАН	Parker SOEM 120 BAR JB 18	65323628
7 MANOMETER	MANOMETRO	МАНОМЕТР	CEWAL RT14 D	65324105
8 CAPACITOR	CONDENSATORE	КОНДЕНСАТОР	16 µF x 550 W	65321858
9 MOTOR	MOTORE	ДВИГАТЕЛЬ	450 W	65324202
10 CONTROL BOX BASE	ZOCOLO	МОТЛХАЯ ПЛАСТИНА АППАРАТУРЫ УПРАВЛЕНИЯ	SIEMENS	65320092
11 CONTROL BOX	APPARECCHIATURA DI CONTROLLO	КОНТРОЛЬНАЯ АППАРАТУРА	SIEMENS LM014.11B2	65320023
12 THERMOSTAT	TERMOSTATO	ТЕРМОСТАТ	IMIT TR2 40/200	65323147
13 TIMER	TEMPORIZZATORE	ТАЙМЕР	LOVATO TM-P	65325897
14 REMOTE CONTROL SWITCH	CONTATTORE RESISTENZE	ПУСКАТЕЛЬ ТЭНов	AEG LS05.10	65323132
15 REMOTE CONTROL SWITCH MOTOR	CONTATTORE MOTORE	ПУСКАТЕЛЬ ВЫПРАВЛЯЮЩИХ ТЭНов	AEG LS05.10	65323132
16 MOTOR THERMAL RELAY	RELE' TERMICO MOTORE	ТЕПЛОВОЕ РЕЛЕ ДВИГАТЕЛЯ		
17 ANTI-FLAMMING FILTER	FILTRO ANTIDISTURBO	ФИЛЬТР ПОДАВЛЕНИЯ ПОМЕХ		
18 THERMOMETER	TERMOMETRO	ТЕРМОСТАТ	IMIT 0-200	65323170
19 MAIN SWITCH	INTERRUTTORE BIPOLARE	ВЫКЛЮЧАТЕЛЬ 2-ПОЗИЦИОННЫЙ С СВЕТОДИОДОМ ЗЕЛ. ЦВЕТА	cod.401001509	65323093
20 HIGH-LOW FLAME SWITCH	DEVITORE	ПЕРЕКЛЮЧАТЕЛЬ РЕЖИМОВ МОЩНОСТИ	cod.360000001	65323064
21 LAMP	LAMPADA	ИНДИКАТОРНАЯ ЛАМПОЧКА	EL/N-SC4 Elettrospring	65323065
22 IGNITION TRANSFORMER	TRASFORMATORE	ТРАНСФОРМАТОР	COF 1030 CM	65322053
23 PHOTO RESISTOR	FOTORESISTENZA	ФОТОРЕЗИСТОР	QHB1A-A050B70A2	65323235
24 BOX SUPPORT	SUPPORTO CASSETTA	КРЕПЛЕНИЕ КОРОБКИ		65320076
25 BOX	CASSETTA	КОРОБКА		65320478
26 FAN	VENTOLA	РАБОЧЕЕ КОЛЕСО ВЕНТИЛЯТОРА	160X62	65320477
27 AIR WAISTBAND	FASCIA	ХОМУТ ВОЗДУШНОГО ШЛАНГА		65323820
28 COVER AIR INLET	CASSETTO	ВОЗДУХОЗАБОР	65324191	65324191
29 COUPLING (FAN)	GIUNTO VENTOLA	МУФТА РАБОЧЕГО КОЛЕСА ВЕНТИЛЯТОРА	65324190	65324190
30 COUPLING	GIUNTO GOMMA	ПРОМЕЖУТОЧНАЯ МУФТА	65324205	65324205
31 COUPLING (PUMP)	GIUNTO POMPA	МУФТА НАСОСА		65324200
32 THERMOSTAT	TERMOSTATO	ТЕРМОСТАТ	CONT. 2445RC-9098-506	65324204
33 FILTER	FILTRO	ФИЛЬТР	PAG 90025	65325909
34 HEATER	RESISTENZE	НАГРЕВАТЕЛЬНЫЕ ЭЛЕМЕНТЫ	650 W	65325059
35 OIL TANK	BARILOTTO	БАЧОК-ПОДОПРЕВАТЕЛЬ		65324206
36 HEATING	RESISTENZA	НАГРЕВАТЕЛЬНЫЙ ЭЛЕМЕНТ	50 W	65325283
37 CABLE	CAVO	ПРОВОД		65323072
38 COIL	BOBINA	КАТУШКА	Parker JB 18	65324194
39 OIL VALVE	ELETTROVALVOLA	ЭЛЕКТРОКЛАПАН	Parker SOEM 120 BAR JB	65323781
40 FIRING HEAD	TESTA DI COMBUSTIONE	ОГНЕВАЯ ГОЛОВКА		65323629
41 ELECTRODES	ELETTRODI	ЭЛЕКТРОДЫ		65324198
42 ROD NOZZLE HOLDER	GRUPPO ASTA SPILLO	ШТОК		65324603
43 DIFFUSER HOLDER	CROCIERA DIFFUSORE	КРЕСТОВИНА ДИФфуЗОРА		65320952
44 DIFFUSER	DIFFUSORE	РАСРЕКАТЕЛЬ		65326026
45 NOZZLE HOLDER	SUPPORTO UGELLO	ДЕРЖАТЕЛЬ ФОРСУНКИ		65326027
46 BLAST TUBE	BOCCAGLIO	ТУБО ЛЛАМА		65326161
47 BLAST TUBE WAISTBAND	FASCIA	ХОМУТ ПРЕДОХРАНИТЕЛЬНОГО ПАЙРВКА		65324193
48 GASKET	GUARNIZIONE	УПЛОТНИТЕЛЬНАЯ ПРОКЛАДКА		65321683
49 GASKET	GUARNIZIONE	УПЛОТНИТЕЛЬНАЯ ПРОКЛАДКА		65324188
50 FIRING HEAD HEATER	RESISTENZA TESTA	СОПРОВОЖДАЮЩИЕ ГОЛОВКИ	200 W	65324189
51 INNER ASSEMBLY	GRUPPO TESTA DI COMBUSTIONE	ОГНЕВАЯ ГОЛОВКА		65324195
				65324208
				65326026
				65326027

TC = Testa corta / Short Head / Tete courte / Cabeza corta / КОРОТКАЯ ОГНЕВАЯ ГОЛОВКА TL = Testa lunga / Long Head / Tete longue / Cabeza larga / ДЛИННАЯ ОГНЕВАЯ ГОЛОВКА

Overview - Spare parts list / Panoramica - Parti di ricambio / Vue d'ensemble - Pièces de rechange / Descripción - Piezas de recambio /  
Обзор - Запчасти

MAXFLAM 30



N°	DESCRIPTION	DESCRIZIONE	НАИМЕНОВАНИЕ	MAXFLAM 30 code
1	PUMP	POMPA	НАСОС	65322954
2	HEATING ELEMENT PUMP	RESISTENZA	НАГРЕВАТЕЛЬНЫЙ ЭЛЕМЕНТ	65323072
3	FILTER	FILTRO	ФИЛЬТР	65324806
4	HOSES	FLESSIBILI	ГИБКИЕ ШЛАНГИ	65323182
5	COIL	BOBINA	КАТУШКА	65323781
6	VALVE	ELETTROVALVOLA	ЭЛЕКТРОКЛАПАН	65323628
7	MANOMETER	MANOMETRO	МАНОМЕТР	65324105
8	MOTOR	MOTORE	МОТОР	65322834
9	CONTROL BOX BASE	ZOCOLO	МОНТАЖНАЯ ПЛАСТИНА АППАРАТУРЫ УПРАВЛЕНИЯ	65320092
10	CONTROL BOX	APPARECCHIATURA DI CONTROLLO	КОНТРОЛЬНАЯ АППАРАТУРА	65320023
11	THERMOSTAT	TERMOSTATO	ТЕРМОСТАТ	65323147
12	TIMER	TEMPORIZZATORE	ПУСКАТЕЛЬ ТЭНов	65325897
13	REMOTE CONTROL SWITCH	CONTATTORE RESISTENZE	ПУСКАТЕЛЬ ВЫРАВНИВАЮЩИХ ТЭНов	65323132
14	REMOTE CONTROL SWITCH MOTOR	CONTATTORE MOTORE	ПУСКАТЕЛЬ РЕЛЕ ДВИГАТЕЛЯ	65323132
15	MOTOR THERMAL RELAY	RELE TERMICO MOTORE	ФИЛЬТР ПОДАВЛЕНИЯ ПОМЕХ	65323170
16	ANTI-JAMMING FILTER	FILTRO ANTIDISTURBO	ТЕРМОМЕТР	65323093
17	THERMOMETER	TERMOMETRO	ИНТЕРРУПТОРЕ ВІРІОЛАРЕ СОН LED VERDE	65323064
18	MAIN SWITCH	INTERRUTTORE	ВЫКЛЮЧАТЕЛЬ 2-ПОЗИЦИОННЫЙ С СВЕТОДИОДОМ ЗЕЛ. ЦВЕТА	65323065
19	SWITCH	DEVIIATORE	ПЕРЕКЛЮЧАТЕЛЬ РЕЖИМОВ МОЩНОСТИ	65322053
20	LAMP	LAMPADA	ИНДИКАТОРНАЯ ЛАМПОЧКА	65323257
21	IGNITION TRANSFORMER	TRASFORMATORE	ТРАНСФОРМАТОР	65320076
22	PHOTORESISTOR	FOTORESISTENZA	ФОТОРЕЗИСТОР	65320478
23	BOX SUPPORT	SUPPORTO CASSETTA	КРЕПЛЕНИЕ КОРОБКИ	65320477
24	BOX	CASSETTA	КОРОБКА	65325272
25	FAN	VENTOLA	РАБОЧЕЕ КОЛЕСО ВЕНТИЛЯТОРА	65325545
26	AIR WAISTBAND	FASCIA	ХОМУТ ВОЗДУШНОГО ШЛАНГА	65325280
27	COVER AIR INLET	CASSETTO	ВОЗДУХОЗАБОР	65325308
28	GIUNTO PER MOZZO VENTOLA	GIUNTO PER MOZZO VENTOLA	ВОЗДУХОЗАБОР	65324205
29	COUPLING (FAN)	GIUNTO GOMMA	МУФТА РАБОЧЕГО КОЛЕСА ВЕНТИЛЯТОРА	65324200
30	COUPLING	GIUNTO POMPA	ПРОМЕЖУТОЧНАЯ МУФТА	65324204
31	COUPLING (PUMP)	TERMOSTATO	ТЕРМОСТАТ	65325309
32	THERMOSTAT	FILTRO	ФИЛЬТР	65325059
33	FILTER	RESISTENZE	НАГРЕВАТЕЛЬНЫЕ ЭЛЕМЕНТЫ	65324206
34	HEATER	BARILOTTO	БАЧОК-ПОДОГРЕВАТЕЛЬ	65325283
35	OIL TANK	RESISTENZA	НАГРЕВАТЕЛЬНЫЙ ЭЛЕМЕНТ	65323072
36	HEATING	CAVO	ПРОВОД	65324194
37	CABLE	BOBINA	КАТУШКА	65323781
38	COIL	ELETTROVALVOLA	ЭЛЕКТРОКЛАПАН	65323629
39	OIL VALVE	TESTA DI COMBUSTIONE	ОГНЕВАЯ ГОЛОВКА	65324198
40	FIRING HEAD	ELETTRODI	ЭЛЕКТРОДЫ	65324603
41	ELECTRODES	GRUPPO ASTA SPILLO	ШТОК	65326162
42	ROD NOZZLE HOLDER	SUPPORTO UGELLO	ДЕРЖАТЕЛЬ ФОРСУНКИ	65321683
43	NOZZLE HOLDER	OROCIERA DIFFUSORE	РАСРЕКАТЕЛЬ	65326163
44	DIFFUSER HOLDER	DIFFUSORE	СТАКАН	65325950
45	DIFFUSER	BOCCAGLIO	СТАКАН	65325948
46	BLAST TUBE	FASCIA	ХОМУТ	65325951
47	AIR CYLINDER	GUARNIZIONE	УПЛОТНИТЕЛЬНАЯ ПРОКЛАДКА	65325947
48	GASKET	GUARNIZIONE	УПЛОТНИТЕЛЬНАЯ ПРОКЛАДКА	65324701
49	GASKET	RESISTENZA TESTA DAVANTI	УПЛОТНИТЕЛЬНАЯ ПРОКЛАДКА	65325317
50	IN FRONT OF HEAD HEATER	COPERCHIO	КРЫШКА	65324208
51	IN FRONT OF HEAD HEATER	GRUPPO TESTA DI COMBUSTIONE	ОГНЕВАЯ ГОЛОВКА	65325966
52	COVER			65325967
53	INNER ASSEMBLY			

TC = Testa corta / Short Head / Tete courte / Cabeza corta / КОРОТКАЯ ОГНЕВАЯ ГОЛОВКА TL = Testa lunga / Long Head / Tete longue / Cabeza larga / ДЛИННАЯ ОГНЕВАЯ ГОЛОВКА





# Ecoflam

## **Ecoflam Bruciatori S.p.A.**

Via Roma, 64 - 31023 Resana (TV) - Italy

Tel. +39 0423 719500

Fax +39 0423 719580

<http://www.ecoflam-burners.com>

e-mail: [export@ecoflam-burners.com](mailto:export@ecoflam-burners.com)

Società soggetta alla direzione e al coordinamento di Ariston Thermo S.p.A.

Via A. Merloni, 45 - 60044 Fabriano (AN) - CF 01026940427

Ecoflam Bruciatori S.p.A. reserves the right to make any adjustments, without prior notice, which is considered necessary or useful to its products, without affecting their main features

Ecoflam Bruciatori S.p.A. si riserva il diritto di apportare ai prodotti le modifiche che riterrà necessarie o utili, senza pregiudicarne le caratteristiche principali.

La maison Ecoflam Bruciatori S.p.A. se réserve le droit d'apporter les modifications qu'elle jugera nécessaires ou utiles à ses produits sans pour autant nuire à leurs caractéristiques principales

Ecoflam Bruciatori S.p.A. se reserva el derecho a introducir en sus productos todas las modificaciones que considere necesarias o utiles, sin perjudicar sus características

"Ecoflam Bruciatori S.p.A." оставляет за собой право вносить в конструкцию оборудования любые необходимые изменения без особого предупреждения.

Ecoflam Bruciatori S.p.A. behält sich das Recht vor, ohne Beeinträchtigung der wesentlichen Eigenschaften für notwendig oder sinnvoll ersichtete Änderungen an den Produkten vorzunehmen.