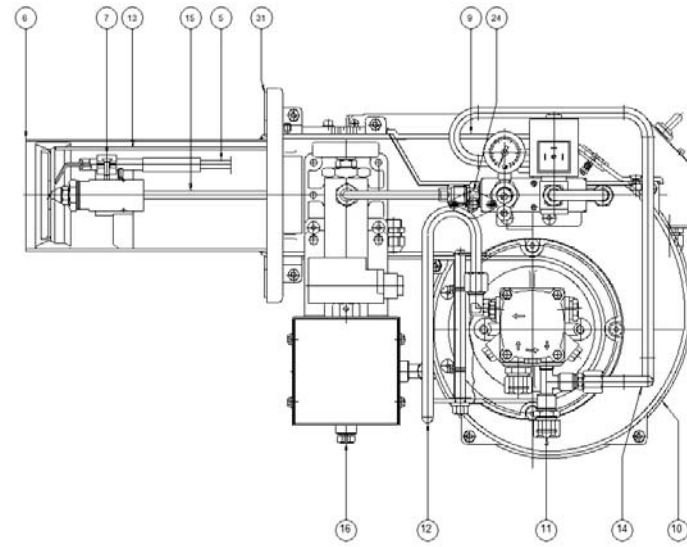
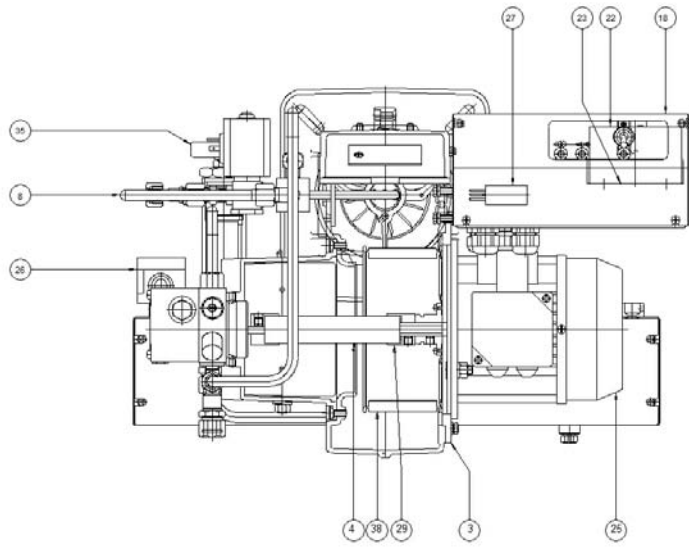


003079\_1D

BURNER HEAVY OIL.1



003079\_1D

BURNER HEAVY OIL.1

Pos.	Code	Descriptions	Minimum Purchase Quantity
3	022461	SUPPORT MOTOR	1
4	033859	JOINT ELASTIC D26	1
5	040290	IGNITION CABLE CARBON Sez.1-D7 D6.35-D4	1
6	052363	BLAST TUBE GR.WELDED	1
7	052403	GR.FLAME DISK SUPPORT	1
7.1	013394	FLAME DISK SUPPORT	1
7.3	021562	FLAME DISK	1
7.5	133219	IGNITION ELECTRODE	1
8	053381	PIPELINE DELIVERY TANK-GR.VALVE GR.WELDED	1
9	053707	GR.BURNER'S BODY COVER	1
9.1	011261	FLAME WINDOW	1
9.4	244233	SPRING TO CYLINDRICAL HELIX 1x6.2x7	1
10	053970	GR.BURNER'S BODY+INLET AIR -DEF.	1
10.1	053309	GR.BURNER'S BODY+INLET AIR -DEF.	1
11	053971	GR.POMP	1
11.2	229100	JOINT POMP SIDE D8	1
12	053974	GR.PIPELINE DELIVERY POMP-TANK	1
13	053982	REGULATION COMBUSTION HEAD GR.WELDED	1
14	054008	GR.PIPELINE RETURN GR.VALVES-POMP	1
15	054015	GR.NOZZLE-HOLDER	1
15.1	051363	GR.FAUCET ATTACH MANOMETER	1
15.1.3	252019	OR 2025-105 D6.07x1.78-VITON	1
15.2	053131	PISTON KIT ANTIGAS 4bar	1
15.2.3	053127	GR.PISTON ANTIGAS	1

003079\_1D

BURNER HEAVY OIL.1

Pos.	Code	Descriptions	Minimum Purchase Quantity
15.2.5	244207	SPRING TO CYLINDRICAL HELIX 0.8x6.9x31	1
15.2.6	252034	OR S D9.10x1.60-VITON	1
15.3	053184	PISTON KIT 1°STAGE	1
15.3.5	244205	SPRING TO CYLINDRICAL HELIX 1.8x9.6x31	1
15.3.6	252025	OR S D11.10x1.60-VITON	1
15.4	053308	NOZZLE-HOLDER GR.WELDED	1
15.5	053380	GR.PIPELINE RETURN GR.VALVES	1
15.6	132021	SOLENOID VALVE PARKER VE120.8AR JB18 230V-50:60Hz	1
15.6.1	111245	COIL PARKER JB18 230V-50:60Hz	1
15.9	244000	MANOMETER 0:40 bar:psi D40-M1:8P	1
16	054021	GR.TANK	1
16.10	252007	OR 3300 D75.87x2.62-VITON	1
16.2	022067	SHIELD TANK	1
16.4	052131	GR.FILTER HEAVY OIL 0.1	1
16.4.5	252008	OR 3125 D31.42x2.62-VITON	1
16.5	053819	TANK GR.WELDED	1
16.9	177122	HEATER 220V-1.2KW LR=200	1
17	054205	BURNER'S ACCESSORIES	1
17.10	252034	OR S D9.10x1.60-VITON	1
17.12	278023	PIPE FLEX R6 PLAITED DN13-1200 MF 1:2P-1:2P	1
17.2	225000_2	FILTER FAG 20301-30-AL 0.3-D1P	2
17.2.1	225014	HEATER FAG 20301-30 0.3	1
17.7	252006	OR 115-115 D11.91x2.62-VITON	1
17.8	252007	OR 3300 D75.87x2.62-VITON	1

003079\_1D

BURNER HEAVY OIL.1

Pos.	Code	Descriptions	Minimun Purchase Quantity
17.9	252008	OR 3125 D31.42x2.62-VITON	1
18	060267	BURNER'S ELECTRICAL PANEL 1Nac230V-1Nac230V-50Hz	1
18.1	011282	TRANSPARENT COVER - CONTROL BOX RELEASE	1
18.10	119017	CABLE+CONNECTOR F-MT L600	1
18.11	139107	PHOTORESISTANCE SIEMENS A7G1034415 BLACK L=500	1
18.12	139220	FUSE IN GLASS D5X20-5A-250V RAPID	1
18.13	148000	SWITCH ONE POLES TO LEVER	1
18.14	148009	COVER COMMAND TO LEVER	1
18.2	021307	COVER WIRING	1
18.26	183550_2	GREEN LAMP D6 5002724 TB-06R-SU3+LENTE 230VAC-90°C	2
18.27	189023	IGNITION TRANS. COFI TRG1230-D4M 2x6kV 230V-50Hz	1
18.28	190019	CONTACTOR LOVATO BG0610A230 AC3=2.2KW 230V-50:60Hz	1
18.8	111001	BASE CONTROL BOX SIEMENS AGK11	1
18.9	118400	SOCKET SHIELD VC1102A00300S (BLACK) (2 POLES+T)	1
19	072015	INSTRUCTIONS HEAVY OIL .1 IT FBR-	1
20	076023	DECLARATION OF INDUSTRIAL CONFORMITY - IGEFD FBR-	1
21	078045	ELECTRICAL DIAGRAM BURNER	1
22	101010_2	CONTROL BOX SIEMENS LOA24.171B2FB 230V-50:60Hz	2
22.1	077048	CONTROL BOX INSTRUCTIONS SIEMENS-N7118	1
23	111002	STILL-CABLE CONTROL BOX SIEMENS AGK66	1
24	111013	BASE FR SIEMENS QRB1	1
25	158803	MOTOR SIMEL XS3009-N2-2P 250W 230V-50Hz	1
25.1	118203	CONDENSER SIMEL 10 uF-Vn450	1
26	191204	THERMOSTAT IMIT 542422 TC2 0-160°C	1

003079\_1D

BURNER HEAVY OIL.1

Pos.	Code	Descriptions	Minimum Purchase Quantity
27	191342	FILTER RADIONOISE FC 710Y2F 0.1uF(X2)+2x4-7nF+2.2MOhm-250V	1
29	229102	JOINT MOTOR SIDE D12.7	1
31	229733	GASKET FLANGE BURNER	1
35	279100	THERMOMETER TB 63 0-200°C	1
38	291011	FAN (VECO)(BLADE LAG) D160x75 RS HUB D12.7 (MG)	1