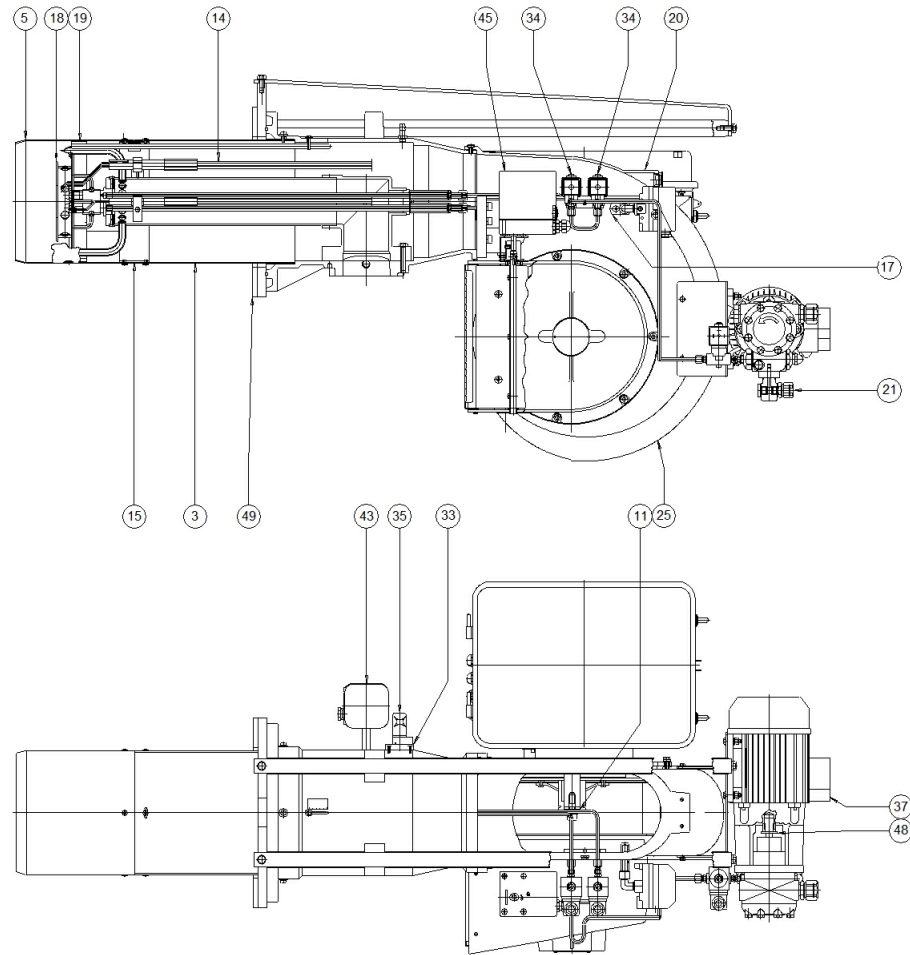
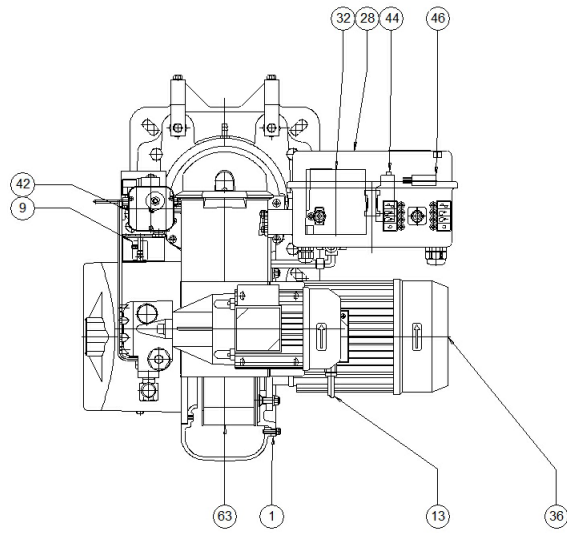


004029\_1D

DUAL FUEL BURNER\_2



004029\_1D

DUAL FUEL BURNER\_2

Pos.	Code	Descriptions	Minimun Purchase Quantity
1	013068	SUPPORT MOTOR	1
3	021051	BLAST TUBE SUPPORT	1
5	021273	TERMINAL BLAST TUBE	1
9	031299	JOINT SERVOMOTOR D8	1
11	032554	WASHER FIXING FAN D28	1
13	040234	MOTOR'S CABLE	1
14	040291	IGNITION CABLE CARBON Sez.1-D7 D6.35-D4	1
15	051066	RING JUNCTION BLAST TUBE GR.WELDED	1
17	052680	ATTACK PRESSURE SWITCH AIR GR.WELDED	1
18	053196	KIT COMBUSTION HEAD	1
18.10	053197	FLAME DISK GR.WELDED	1
18.11	133258	IGNITION ELECTRODE GAS	1
18.12	133259	IGNITION ELECTRODE LIGHT-OIL SX	1
18.13	133260	IGNITION ELECTRODE LIGHT-OIL DX	1
18.15	252034	OR S D9.10x1.60-VITON	1
19	053198	REGULATION COMBUSTION HEAD GR.WELDED	1
20	053561	GR.BURNER'S BODY COVER	1
20.3	274000	GR.FLAME WINDOW	1
21	053722	GR.POMP	1
21.11	258010	POMP SUNTEC J7-CAC-1001-4P	1
21.11.1	590001	GASKETS KIT SEAL POMP SUNTEC J-E :993473	1
21.3	132024	SOLENOID VALVE PARKER VE146FV-ZB09 1:8P 230V-50:60Hz	1
21.3.1	111218	COIL PARKER ZB09 230V-50:60Hz	1
22	054118	BURNER'S ACCESSORIES	1

004029\_1D

DUAL FUEL BURNER\_2

Pos.	Code	Descriptions	Minimun Purchase Quantity
22.2	224509	FILTER GIULIANI 70101-AL 0.1-D1P	1
22.4	278004	PIPE FLEX DN13-1200 MF 1:2P-1:2P	1
22.5	278012	PIPE FLEX DN19-1200 MF 1P-3:4P	1
25	054431	GR.BURNER'S BODY	1
25.1.1	013469	FLANGE BLAST TUBE	1
25.2.8	220004	BUCKLE FLANGED FB1 D10X12X18X1X9	1
28	060049	BURNER'S ELECTRICAL PANEL 3ac400V-1Nac230V-50Hz	1
28.11	139220	FUSE IN GLASS D5X20-5A-250V RAPID	1
28.13	148000	SWITCH ONE POLES TO LEVER	1
28.14	148006	SWITCH FOUR POLES TO LEVER	1
28.15	148009	COVER COMMAND TO LEVER	1
28.33	183550_2	GREEN LAMP D6 5002724 TB-06R-SU3+LENTE 230VAC -90°C	2
28.34	183550	RED LAMP D6 5002850 TB-06R-SU3+LENTE 230VAC -90°C	1
28.35	190006_2	CONTACTOR LOVATO BF18.T4 A230 230V-50:60Hz	2
28.36	190019	CONTACTOR LOVATO BG0610A230 AC3=2.2KW 230V-50:60Hz	1
28.37	191340_3	IGNITION TRANS. COFI TRS1020-D4 2x5kV 230V-50Hz	3
28.38	191341_3	IGNITION	3
28.4	111005	BASE CONTROL BOX SIEMENS LFL.. AGM410.490.550	1
28.5	118400	SOCKET SHIELD VC1102A00300S (BLACK) (2 POLES+T)	1
28.6	118417	SOCKET SHIELD VC1202A00300S (GREY) PG9(3 POLI+T)ALTA	1
28.7	118425	SOCKET ILME IL CNEF06T	1
28.8	118436	CASE ILME IL CHV06LG	1
29	073506	DUAL FUEL INSTRUCTIONS _2 IT FBR-	1
30	076027	DECLARATION OF INDUSTRIAL CONFORMITY - IGEFD FBR-	1

004029\_1D

DUAL FUEL BURNER\_2

Pos.	Code	Descriptions	Minimun Purchase Quantity
31	078071	ELECTRICAL DIAGRAM BURNER	1
32	104005_2	CONTROL	2
32.1	077054	CONTROL BOX INSTRUCTIONS SIEMENS-N7451	1
33	111275_2	BASE FC SIEMENS QRA2 ROUNDED 424188550	2
34	132023	SOLENOID VALVE PARKER VE131IV-KT09 230V-50Hz	1
34.1	111244	COIL PARKER KT09 230V-50Hz	1
35	139120	PHOTOELECTRIC	1
36	158861	MOTOR SOGA MEC 100-B5-2P 3KW 230:400V-50:60Hz	1
37	158890	MOTOR SIMEL 16-3030-2P 740W 230:400V-50Hz	1
42	172107_3	PRESSURE SWITCH AIR KROM DL5A-3-32Z 0.4-6MBAR	3
43	172108_2	PRESSURE SWITCH KROM DG50B-3 2.5-50mbar	2
44	176015	RELAY THERMAL LOVATO RF38.1000 (6.3-10A)	1
45	183301	SERVOMOTOR SIEMENS SQN30.111A2700 230V-50:60Hz	1
46	191342	FILTER RADIONOISE FC710Y2F 0.1uF(X2)+2x4-7nF+2.2MOhm-250V	1
48	226236	JOINT MOTOR-POMP SIMELJOINT MOTOR-POMP SIMEL	1
49	229702	GASKET FLANGE BURNER	1
63	291039_2	FAN (VECO) D300x90 RS HUB D28-CH	2