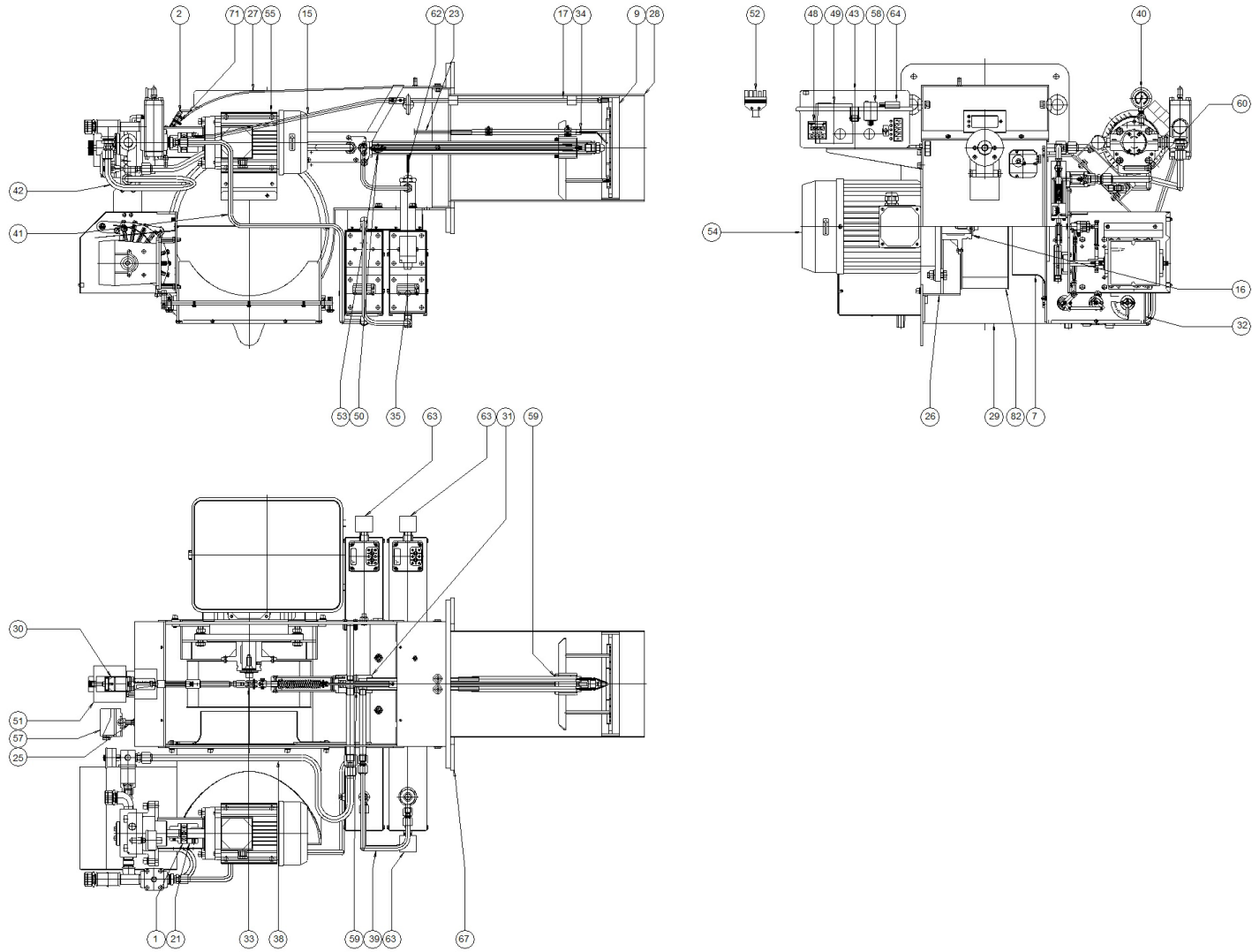


003063\_1H

BURNER HEAVY OIL\_M



003063\_1H

BURNER HEAVY OIL\_M

Pos.	Code	Descriptions	Minimum Purchase Quantity
1	011215	JOINT ELASTIC AR 24-32 D54.5	1
2	011222	FLAME WINDOW	1
7	022249	CONVEYER Di263x90	1
9	031610	RING REGULATION COMBUSTION HEAD GR.WELDED	1
15	033091	ROD REGULATION COMBUSTION HEAD	1
16	033135	WASHER FIXING FAN D38	1
17	033260	ROD REGULATION COMBUSTION HEAD	1
21	033693	JOINT MOTOR SIDE	1
23	040290	IGNITION CABLE CARBON Sez.1-D7 D6.35-D4	1
25	052679	ATTACK PRESSURE SWITCH AIR GR.WELDED	1
26	052789	SUPPORT MOTOR GR.WELDED	1
27	052790	BURNER'S BODY COVER GR.WELDED	1
28	052920	BLAST TUBE GR.WELDED FGP-FNP 350 TL	1
29	052985	BURNER'S BODY GR.WELDED	1
30	053018	GR.NUCLEUS NOZZLES-HOLDER	1
31	053431	GR.NOZZLE-HOLDER	1
31.10	244224	SPRING TO CYLINDRICAL HELIX 3.2x23.2x140	1
31.11	252027	OR 119 D15.08x2.62-VITON	1
31.12	252054	OR D6x3-VITON	1
31.5.1	220015	BUCKLE CYLINDRICAL BRONZE D14X18X18	1
31.9	053014	NOZZLE-HOLDER GR.WELDED	1
32	053463	GR.INLET AIR	1
32.10	032630	ECCENTRIC	1
32.12	032636	JOINT SERVOMOTOR D12	1

003063\_1H

BURNER HEAVY OIL\_M

Pos.	Code	Descriptions	Minimun Purchase Quantity
32.21	034080	PIVOT SPRING'S TENSION	1
32.25	052358	GR.REGULATOR OF PRESSURE	1
32.25.13	051363	GR.FAUCET ATTACH MANOMETER	1
32.25.13.3	252019	OR 2025-105 D6.07x1.78-VITON	1
32.25.14	054222	GR.PISTON NO RETURN VALVE	1
32.25.15	220002	BEARING SKF 6001-2RS	1
32.25.17	244002	MANOMETER GLYCERINE INDRA 0:40 bar D50-M1:8P	1
32.25.18	244207	SPRING TO CYLINDRICAL HELIX 0.8x6.9x31	1
32.25.19	244225	SPRING TO CYLINDRICAL HELIX 2.5x12.7x41	1
32.25.2	032628	BUCKLE FOR BEARING	1
32.25.20	252006	OR 115-115 D11.91x2.62-VITON	1
32.25.21	252035	OR 3112 D28.25x2.62-VITON	1
32.25.5.1	220011	BUCKLE CYLINDRICAL BRONZE D12X15X12	1
32.26	052459	SHIELD SERVOMOTOR GR.WELDED	1
32.29	053464	GR.LEVER	1
32.29.6	220001	BEARING SKF 625-2Z	1
32.29.7	220008	BUCKLE CYLINDRICAL BRONZE D12X18X25	1
32.29.8	244205	SPRING TO CYLINDRICAL HELIX 1.8x9.6x31	1
32.30	053466	GR.CONNECTING ROD	1
32.31	053467	GR.CONNECTING ROD	1
32.32	053470	GR.CONNECTING ROD	1
32.33	053471	GR.SECTOR CAMS	1
32.33.2	021878	CAMS VARIABLE	2
32.34	053898	GR.SEVOMOTOR MDL24+MICRO 230V-50:60Hz	1

003063\_1H

BURNER HEAVY OIL\_M

Pos.	Code	Descriptions	Minimun Purchase Quantity
32.34.1	158004	MICRO SWITCH SCHNEIDER TL XEP3S1W3	1
32.34.2	183305	SERVOMOTOR CONTROLS MDL24 230V-50:60Hz	1
32.36	220003	BEARING SKF 6005-2Z	1
32.37	220004	BUCKLE FLANGED FB1 D10X12X18X1X9	1
32.38	220013	BEARING SKF 6200-2Z	1
32.39	229777	ADHESIVE GASKET 10x5	1
32.40	244506	SPRING LOOSE RECOVERY 1x7.8x81.6	1
32.7	031209	PIVOT SHOVEL	1
33	053468	GR.JOINT NUCLEUS-NOZZLE-HOLDER	1
34	053935	GR.FLAME DISK SUPPORT	1
34.2	052818	FLAME DISK SUPPORT GR.WELDED	1
34.3	052982	FLAME DISK GR.WELDED	1
34.4	133246	IGNITION ELECTRODE	1
35	053947	GR.TANK	1
35.12	177105	HEATER 220V-1.5KW LR=265	1
35.13	177119	HEATER 220V-3.5KW LR=340	1
35.14	177120	HEATER 220V-3.5KW LR=340	1
35.15	252007	OR 3300 D75.87x2.62-VITON	1
35.2	021252	SHIELD TANK GR.1	1
35.3	021253	SHIELD TANK GR.2	1
35.5	051356	TANK GR.WELDED GR1	1
35.6	051407	TANK GR.WELDED GR2	1
35.8	053108	GR.PIPELINE COMMUNICATION TANKS	1
35.9	054088	GR.FILTER HEAVY OIL ELECTRONIC REGULATOR 0.2	1

003063\_1H

BURNER HEAVY OIL\_M

Pos.	Code	Descriptions	Minimum Purchase Quantity
35.9.4	252008	OR 3125 D31.42x2.62-VITON	1
36	054105	BURNER'S ACCESSORIES	1
36.1	055380	TANK NOT-FIZZY GR.	1
36.1.1	054653	TANK NOT-FIZZY GR.WELDED	1
36.1.2	072018	INSTRUCTIONS HEAVY OIL _M IGEF	1
36.1.3	177349	HEATER 70°C 300W D1P1:4 230V-50:60Hz	1
36.10	252035	OR 3112 D28.25x2.62-VITON	1
36.11	252054	OR D6x3-VITON	1
36.12	278025	PIPE FLEX R6 PLAITED DN25-1500 MF 1P-1P	1
36.2	225010_2	FILTER 70501/R FNDL25TL	2
36.5	252006	OR 115-115 D11.91x2.62-VITON	1
36.6	252007	OR 3300 D75.87x2.62-VITON	1
36.7	252008	OR 3125 D31.42x2.62-VITON	1
36.8	252019	OR 2025-105 D6.07x1.78-VITON	1
36.9	252027	OR 119 D15.08x2.62-VITON	1
38	054345	GR.PIPELINE RETURN NOZZLE-HOLDER-REGULATOR	1
39	054346	GR.PIPELINE DELIVERY TANK-NOZZLE-HOLDER	1
40	054352	GR.POMP (SUNTEC)	1
40.1	034035	JOINT POMP SIDE D20	1
40.19	295010	REGULATOR OF PRESSURE SUNTEC TV-4001-1 7:40 bar	1
40.3	051363	GR.FAUCET ATTACH MANOMETER	1
40.3.3	252019	OR 2025-105 D6.07x1.78-VITON	1
40.6	244002	MANOMETER GLYCERINE INDRA 0:40 bar D50-M1:8P	1
40.8	258569	POMP SUNTEC T3A-106	1

003063\_1H  
BURNER HEAVY OIL\_M

Pos.	Code	Descriptions	Minimum Purchase Quantity
41	054353	GR.PIPELINE DELIVERY POMP-TANK	1
42	054354	GR.PIPELINE RETURN REGULATOR-POMP	1
43	060284	BURNER<S ELECTRICAL PANEL 3Nac400:230V-1Nac230V-50Hz	1
43.10	118438	PLUG TEKNOALFA (6 POLES.T)	1
43.14	148000	SWITCH ONE POLES TO LEVER	1
43.15	148009	COVER COMMAND TO LEVER	1
43.25	176016	RELAY THERMAL LOVATO RF38.1400 (9-14A)	1
43.29	183550_2	GREEN LAMP D6 5002724 TB-06R-SU3+LENTE 230VAC -90°C	2
43.30	183550	RED LAMP D6 5002850 TB-06R-SU3+LENTE 230VAC -90°C	1
43.31	189023	IGNITION TRANS. COFI TRG1230-D4M 2x6kV 230V-50Hz	1
43.32	190007_2	CONTACTOR LOVATO BF26.T4 A230 230V-50:60Hz	2
43.33	190015_2	CONTACTOR LOVATO BF38.00 A230 230V-50:60Hz	2
43.34	190019	CONTACTOR LOVATO BG0610A230 AC3=2.2KW 230V-50:60Hz	1
43.35	190024_2	CONTACT AUXILIARY LOVATO BFX10-11	2
43.8	111006	BASE RELAY FINDER 90.26	1
43.9	111012	BASE CONTROL BOX SIEMENS AGM41.049.0500	1
44	072010	INSTRUCTIONS HEAVY OIL _M IT FBR-	1
45	076025	DECLARATION OF INDUSTRIAL CONFORMITY - IGEPD FBR-	1
46	077015	INSTRUCTIONS-GEFRAN 400 - IGEF SL-	1
47	078058	ELECTRICAL DIAGRAM BURNER	1
48	101528	REGULATOR GEFRAN 400-R-R-1 100:240VAC -50:60Hz	1
48.	077015	INSTRUCTIONS-GEFRAN 400 - IGEF SL-	1
49	102011	CONTROL BOX SIEMENS LAL1.25 230V-50:60Hz	1
49.1	077050	CONTROL BOX INSTRUCTIONS SIEMENS-N7153	1

003063\_1H

BURNER HEAVY OIL\_M

Pos.	Code	Descriptions	Minimum Purchase Quantity
50	111018	BASE FR SIEMENS QRB3	1
51	112278	COIL ELEK.-1930.1415-VL 230V-50:60Hz	1
52	118437	PLUG TEKNOALFA (6 POLES.T)	1
53	139106	PHOTORESISTANCE SIEMENS QRB3 (1)	1
54	158112	MOTOR FIMEC MEC 132-B5-2P 9KW 400:690V-50Hz	1
55	158918_3	MOTOR CIMA MEC 90-B3:B14-4P 2.2KW 230:400V-50:60Hz	3
57	172113_2	PRESSURE SWITCH KROM DG10B-3 1-10mbar	2
58	177000	RELAY FINDER 60.12.8.230.0040 10A-250V-230V	1
59	177127	HEATER 220V-30W D6.5-LR=38-L=2400	1
60	177129	HEATER 220V-50W D12-LR=50-L=200	1
62	185853	PROBE OF TEMPERATURE GEFTRAN	1
63	191204	THERMOSTAT IMIT 542422 TC2 0-160°C	1
64	191342	FILTER RADIONOISE FC710Y2F 0.1uF(X2)+2x4-7nF+2.2MOhm-250V	1
67	229716	GASKET FLANGE BURNER	1
71	244233	SPRING TO CYLINDRICAL HELIX 1x6.2x7	1
82	291084	FAN D340x130 RD HUB D38	1